

## GS Series Closed Loop Stages

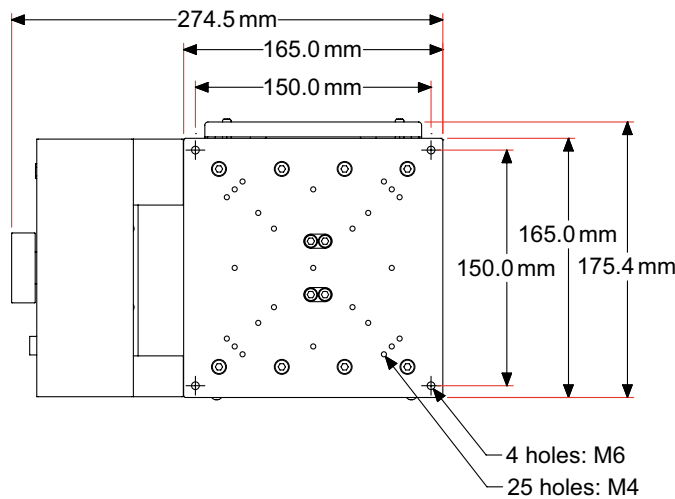
- Closed loop precision stages with integrated optical glass scale encoder
- Small footprint encoder head fits completely in the body of even the smallest stages
- Wide range of sizes available from 15mm travel up to 200mm travel.



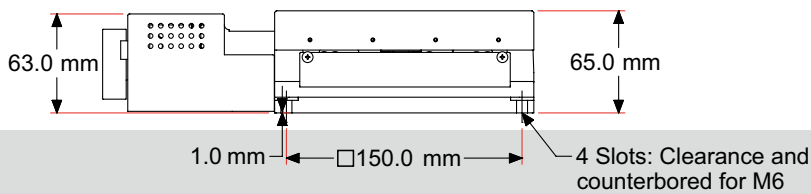
- Piezo Stages
- Linear Stages
- Rotation Stages
- ZF Stages
- Motorized Optics Holders
- Goniometers
- GS Closed Loop Stages**
- Controllers & Drivers
- Cables & Accessories
- Software



Part No. 517-0051



For detailed dimensions see our website or email [drawings@optosigma.com](mailto:drawings@optosigma.com)



KST(GS)-50X CLOSED LOOP STAGE

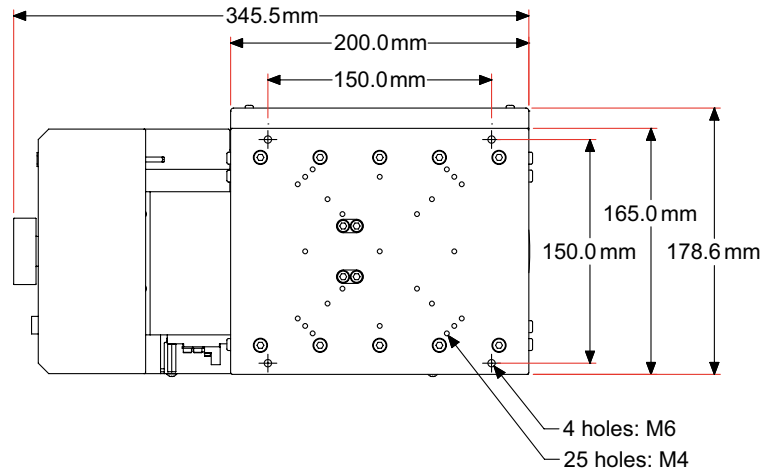
ORDERING  
&  
TECHNICAL SUPPORT  
(949) 851-5881  
FAX (949) 851-5058  
E-MAIL  
[sales@optosigma.com](mailto:sales@optosigma.com)  
WEB  
[www.optosigma.com](http://www.optosigma.com)



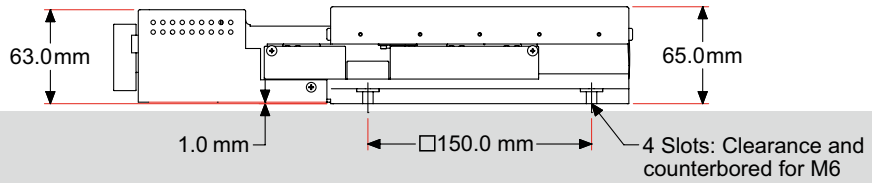
**MOTOR STAGES**

- Piezo Stages
- Linear Stages
- Rotation Stages
- ZF Stages
- Motorized Optics Holders
- Goniometers
- GS Closed Loop Stages**
- Controllers & Drivers
- Cables & Accessories
- Software

**Part No. 517-0101**

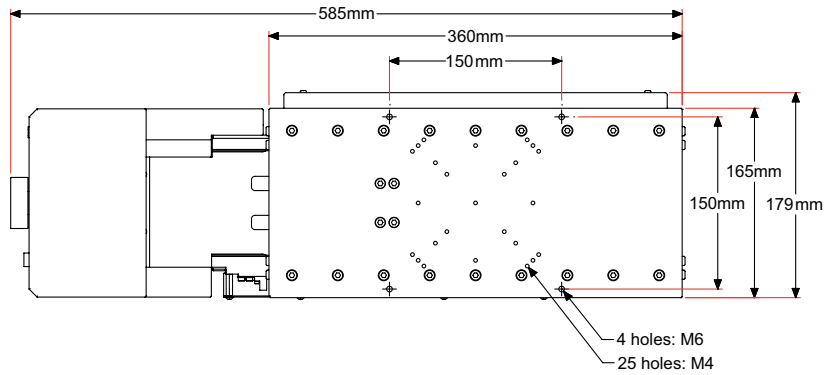


For detailed dimensions see our website  
or email [drawings@optosigma.com](mailto:drawings@optosigma.com)

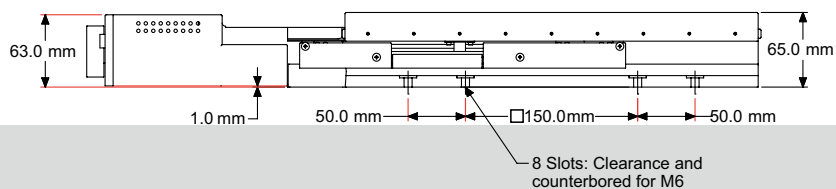


KST(GS)-100X CLOSED LOOP STAGE

**Part No. 517-0201**



For detailed dimensions see our website  
or email [drawings@optosigma.com](mailto:drawings@optosigma.com)

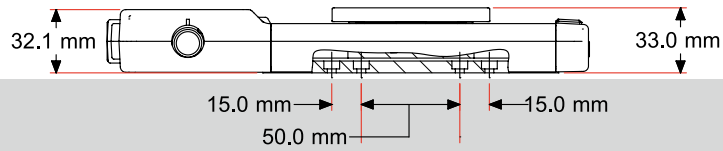
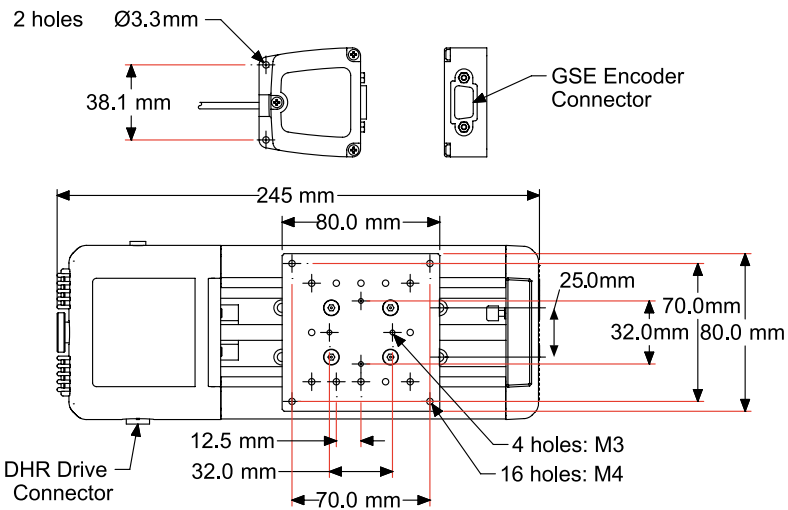


KST(GS)-200X CLOSED LOOP STAGE

ORDERING  
&  
TECHNICAL SUPPORT  
(949) 851-5881  
FAX (949) 851-5058  
E-MAIL  
[sales@optosigma.com](mailto:sales@optosigma.com)  
WEB  
[www.optosigma.com](http://www.optosigma.com)

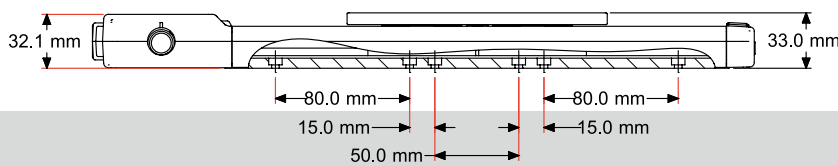
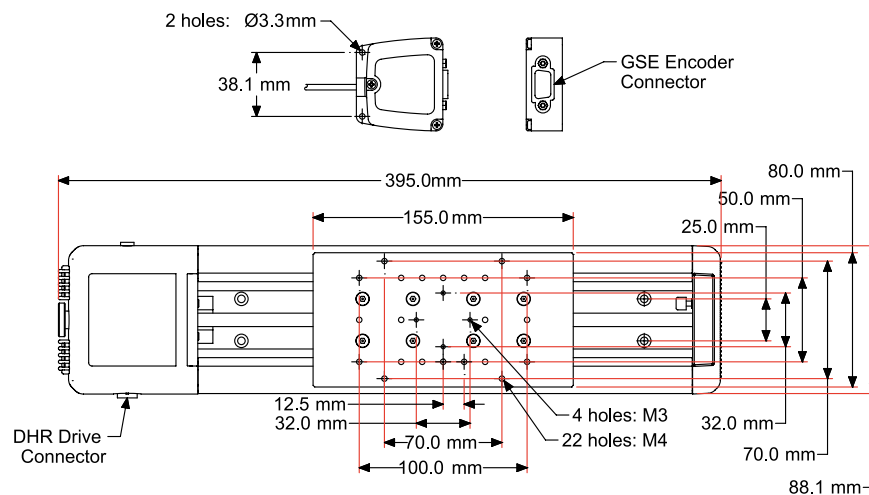


## Part No. 517-6501



SGSP(GS)-50X CLOSED LOOP STAGE

## Part No. 517-6121

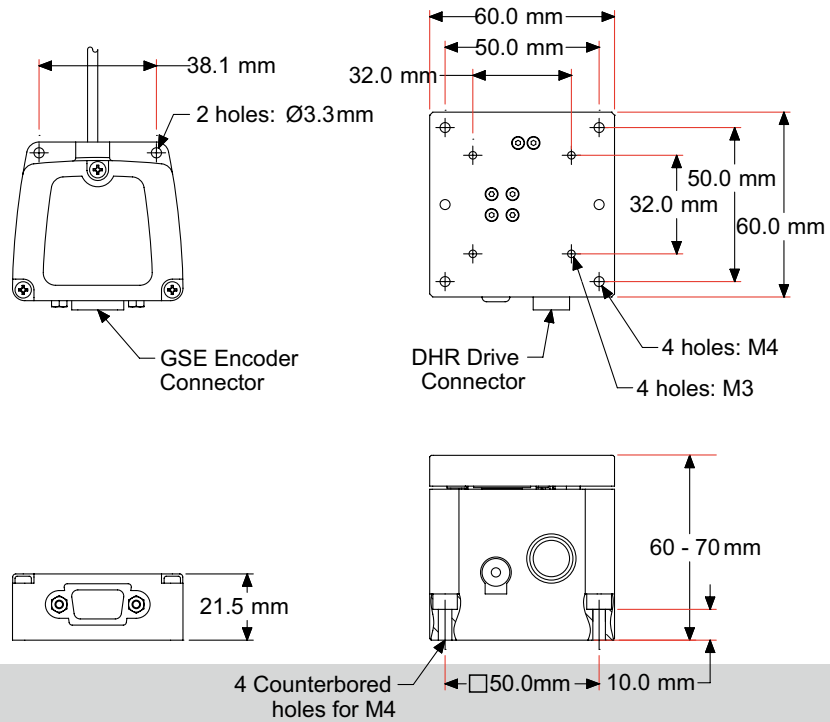


SGSP(GS)-125X CLOSED LOOP STAGE

ORDERING  
&  
TECHNICAL SUPPORT  
(949) 851-5881  
FAX (949) 851-5058  
E-MAIL  
sales@optosigma.com  
WEB  
www.optosigma.com

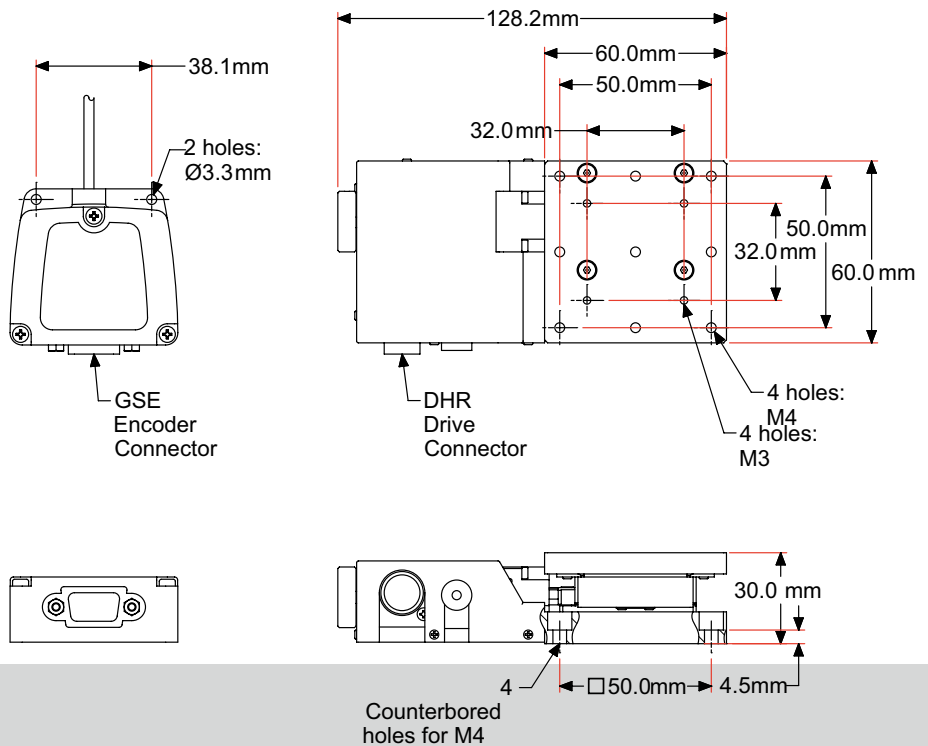
- Piezo Stages
- Linear Stages
- Rotation Stages
- ZF Stages
- Motorized Optics Holders
- Goniometers
- GS Closed Loop Stages**
- Controllers & Drivers
- Cables & Accessories
- Software

**Part No. 517-6103**



TSDM(GS)60-10ZF CLOSED LOOP STAGE

**Part No. 517-6151**



TSDM(GS)60-15X CLOSED LOOP STAGE

ORDERING  
&  
TECHNICAL SUPPORT

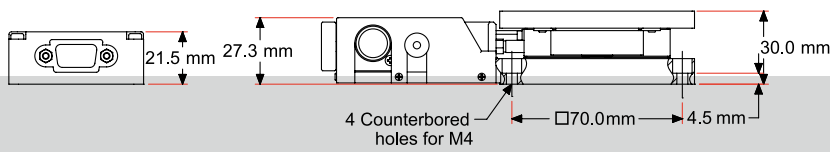
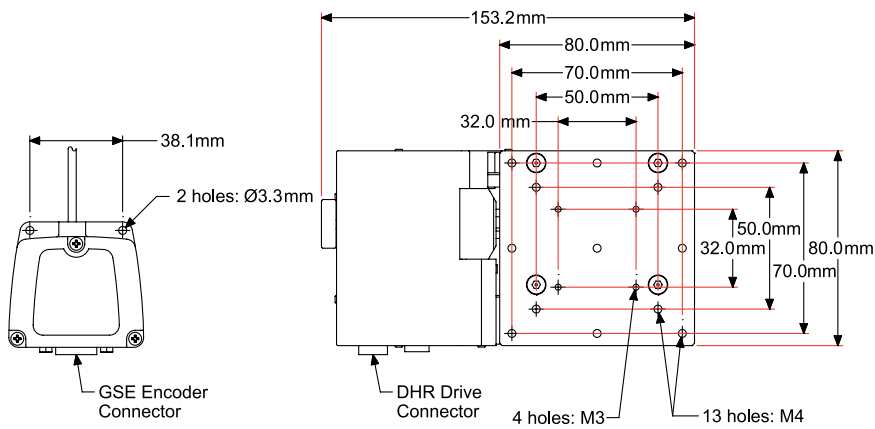
(949) 851-5881  
FAX (949) 851-5058

E-MAIL  
sales@optosigma.com

WEB  
www.optosigma.com



## Part No. 517-8201



TSDM(GS)80-20X CLOSED LOOP STAGE

## Specifications & Tolerances

Dimensions:  $\pm 0.2\text{mm}$  Lost Motion:  $0.5\mu\text{m}$

## GS Series Closed Loop Stages

Travel (mm)	Table Size (mm)	Load Capacity (kg)	Max Speed (mm/sec)	Travel per full pulse ( $\mu\text{m}$ )	Accuracy ( $\mu\text{m}$ )	Repeat-ability ( $\mu\text{m}$ )	Lost Motion ( $\mu\text{m}$ )	Straight-ness ( $\mu\text{m}$ )	Price	Model Number	PART NUMBER
50	165x165	40	10	2	3	0.5	0.5	5		KST(GS)-50X	<b>517-0051</b>
100	165x200	40	10	2	4	0.5	0.5	5		KST(GS)-100X	<b>517-0101</b>
200	165x360	40	20	4	5	0.8	0.5	5		KST(GS)-200X	<b>517-0201</b>
50	80x80	10	30	4	7	1	0.5	15		SGSP(GS)26-50(X)	<b>517-6501</b>
125	80x155	10	30	4	7	1	0.5	10		SGSP(GS)26-125(X)	<b>517-6121</b>
10	60x60	2	2	1	2	0.5	0.5			TSDM(GS)60-10ZF	<b>517-6103</b>
15	60x60	2	5	1	5	0.5	0.5	2		TSDM(GS)60-15X	<b>517-6151</b>
20	80x80	3	5	1	5	0.5	0.5	2		TSDM(GS)80-20X	<b>517-8201</b>