

ZF Stages

- Five-phase stepper motor
- Positional repeatability to $\leq 0.01\text{mm}$
- 5, 10 and 20mm travel
- Low, compact profile



Piezo Stages

Linear Stages

Rotation Stages

ZF Stages

Motorized Optics Holders

Goniometers

GS Closed Loop Stages

Controllers & Drivers

Cables & Accessories

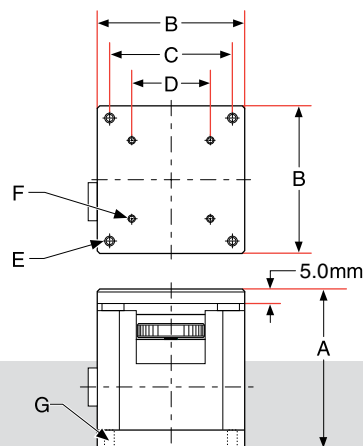
Software

The SGSP Series ZF motorized stages incorporate unique five-phase stepping motor and high-precision actuators to provide precise elevation movements. The stages are available in a range of travel heights and load capacities to meet your demanding requirements. The SGSP200-10ZF is designed as a low profile stage and to accommodate heavy loads up to 15kg. The SFSP80-20ZF stage has an innovative “L” shape top plate that provides additional 8-M4 on 25mm center mounting holes on one side.

The five-phase stepper motor enables the SGSP Series stages to be light weight, compact and have less vibration than a standard stepping motor. The five-phase motor improves accuracy by increasing the number of steps. The result is finer mechanical resolution for precision stepping controlled motion.

The stages provide accurate elevation and can be used with linear stages in many laboratory and OEM applications. If you would like assistance in selecting the most appropriate positioning device for your application our experienced Applications Engineers are ready to help.

Part No.	Dimensions (mm)						
	A	B	C	D	E	F	G
SGSP60-5ZF	73.0	60.0	50.0	32.0	4 M4	4 M3	4 Ø4.4
SGSP60-10ZF	75.5	60.0	50.0	32.0	4 M4	4 M3	4 Ø4.4



SGSP 60 SERIES ZF MOTOR STAGE

ORDERING
&
TECHNICAL SUPPORT
(949) 851-5881
FAX (949) 851-5058
E-MAIL
sales@optosigma.com
WEB
www.optosigma.com



MOTOR STAGES

Piezo Stages

Linear Stages

Rotation Stages

ZF Stages

Motorized Optics Holders

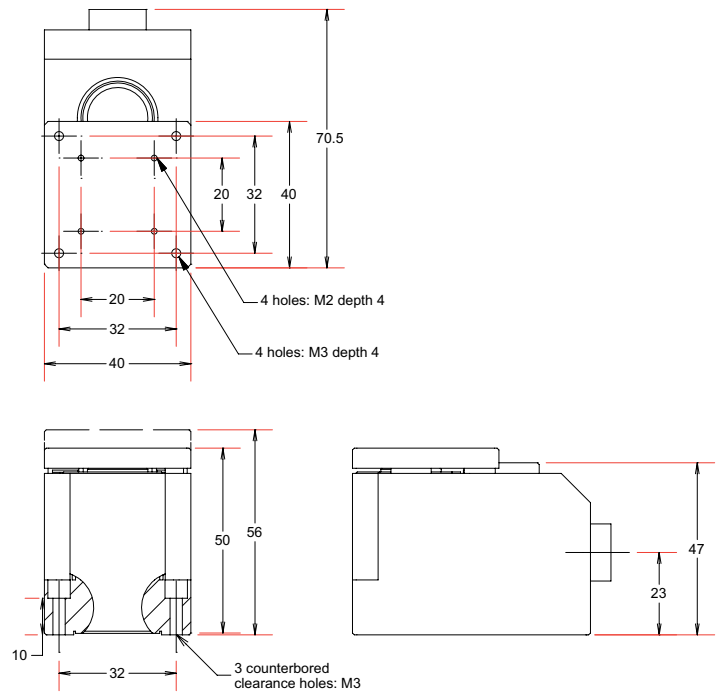
Goniometers

GS Closed Loop Stages

Controllers & Drivers

Cables & Accessories

Software



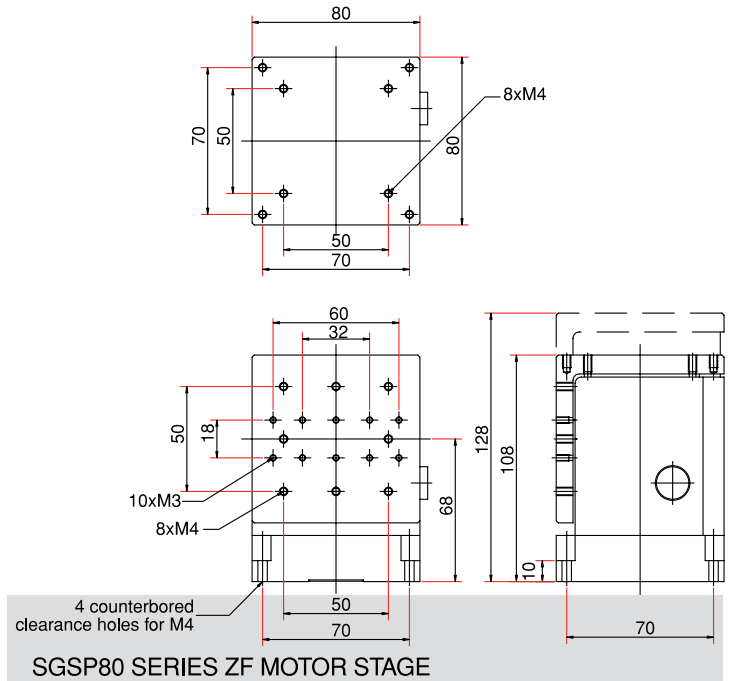
SGSP 60 SERIES MOTOR STAGE

Specifications & Tolerances

Positional Repeatability: <0.01mm

MINI cables used with PAT-001
and SHOT-102

DMINIS cables used with
SHOT-602/202/204MS



SGSP80 SERIES ZF MOTOR STAGE

ZF Stages

Travel	Weight	Backlash	Load Capacity	Maximum Travel Speed	Price	Model	PART NUMBER
5mm	0.35kg	0.010mm	2kg	2mm/sec		SGSP40-5ZF	512-0405
5mm	0.60kg	0.005mm	4kg	4mm/sec		SGSP60-5ZF	512-0605
10mm	0.60kg	0.005mm	4kg	4mm/sec		SGSP60-10ZF	512-0610
20mm	1.60kg	0.005mm	15kg	2mm/sec		SGSP80-20ZF	512-0820