

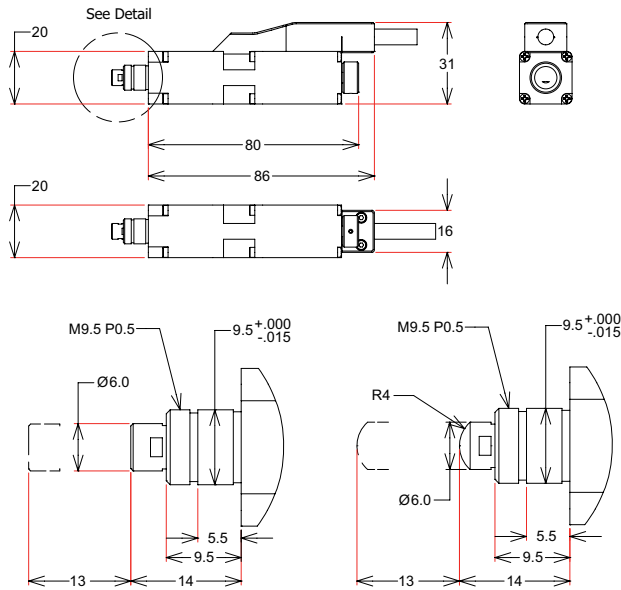
# Compact Stepping Motor Actuators

- Compact, High precision 5-phase stepping motor based actuator
- Direct replacement for manual micrometer, 13 and 25mm travel
- Fits wide range of manual stages and mirror mounts
- High resolution with micro-stepping controller
- Seven controllers available (PAT-001, SHOT-602, SHOT-102, SHOT-202/204MS, SHOT302GS/304GS)



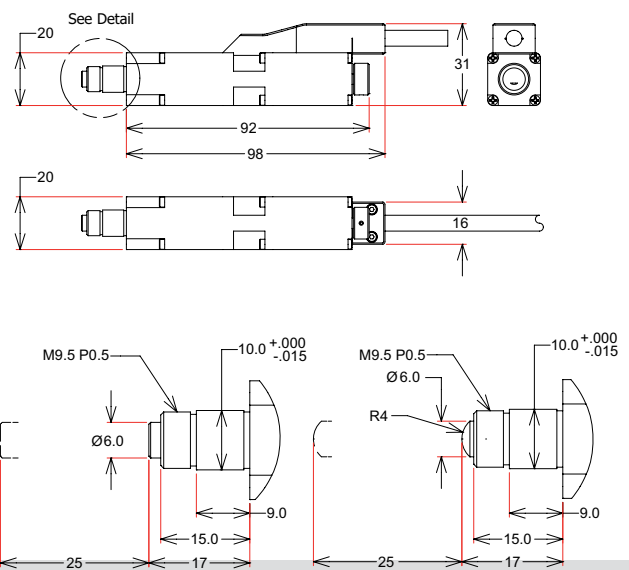
- Piezo Stages
- Linear Stages**
- Rotation Stages
- ZF Stages
- Motorized Optics Holders
- Goniometers
- GS Closed Loop Stages
- Controllers & Drivers
- Cables & Accessories
- Software

Part No. 505-0013/0013-R



SGSP-13ACT STEPPING MOTOR ACTUATOR

Part No. 505-0025/0025-R



SGSP-25ACT STEPPING MOTOR ACTUATOR

## Specifications & Tolerances

Positional Repeatability: 0.010mm  
 Maximum Travel Speed: 2mm/sec  
 Cables: MINI for PAT-001, SHOT-102  
 DMINIS for SHOT-602, SHOT-202, SHOT-204MS, SHOT-302GS, SHOT-304GS  
 Travel per pulse: 1 micron (Full step mode)  
 0.5 micron (Half step mode)

Travel (mm)	Load Cpty. (Kg)	Tip Shape	Maximum Travel Speed (mm/sec)	Weight (Kg)	Price	Model	PART NUMBER
13	3	Flat	2	0.16		SGSP-13ACT	505-0013
13	3	Round	2	0.16		SGSP-13ACTR	505-0013-R
25	3	Flat	2	0.18		SGSP-25ACT	505-0025
25	3	Round	2	0.18		SGSP-25ACTR	505-0025-R

ORDERING & TECHNICAL SUPPORT  
 (949) 851-5881  
 FAX (949) 851-5058  
 E-MAIL sales@optosigma.com  
 WEB www.optosigma.com

