

Piezo Actuator for Objective Lenses

- Long travel up to 100µm.
- Theoretical resolution less than 1nm.
- RS-232C, GP-IB and USB interface with Fine series controllers
- Software available for easy PC control and data acquisition
- Adapters available for Olympus, Nikon and Mitutoyo objectives (See page 489)



- Piezo Stages
- Linear Stages
- Rotation Stages
- ZF Stages
- Motorized Optics Holders
- Goniometers
- GS Closed Loop Stages
- Controllers & Drivers
- Cables & Accessories
- Software

These objective lens holders with piezo actuators provide compact, quick motion and high-resolution nano-positioning. When used with our FINE controller and your selected software they provide the performance and stability needed in your application.

With resolution of less than 1nm and travel up to 100 microns they are ideal for a wide range of applications. They can be used in a scanning interferometer, surface structure analysis, auto focus system, confocal microscopy, biotechnology and semiconductor test equipment.

Specifications & Tolerances

Resolution

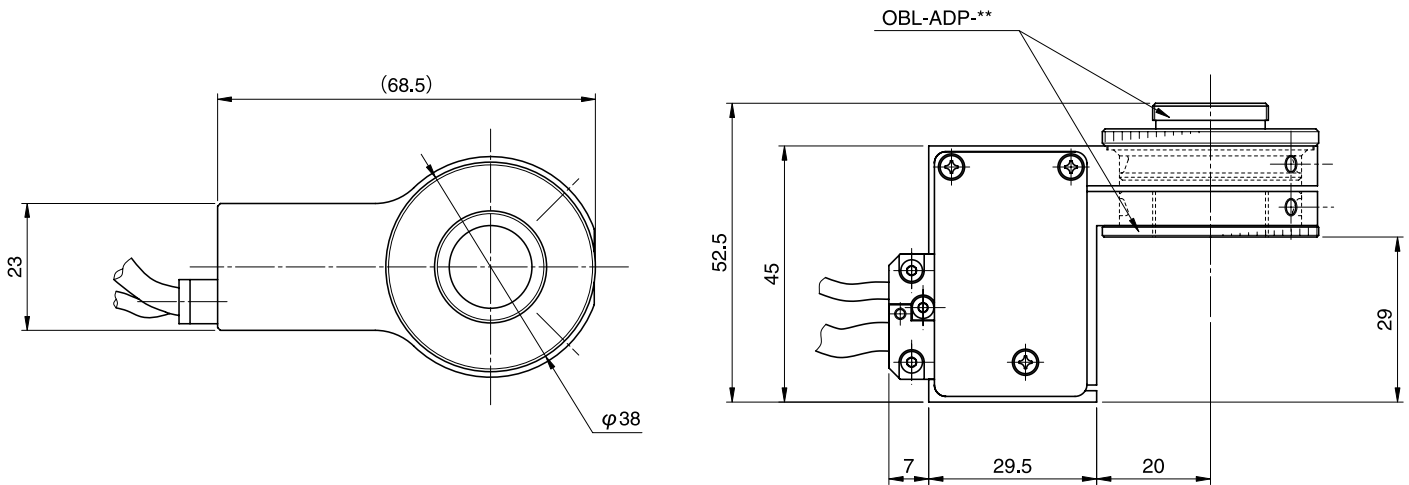
Closed Loop 20nm

Open Loop ~1nm

Cables: FINE-CA-3, 1 required

DS1-CA-3, 1 required

Open Loop Repeatability: <0.1micron



SFS Objective Actuator

Description	Piezo travel	Axes of travel	Weight (kg)	Price	Model	PART NUMBER
Objective lens focus actuator	100 ± 15µm	1	0.15		SFS-OBL-1	510-0221