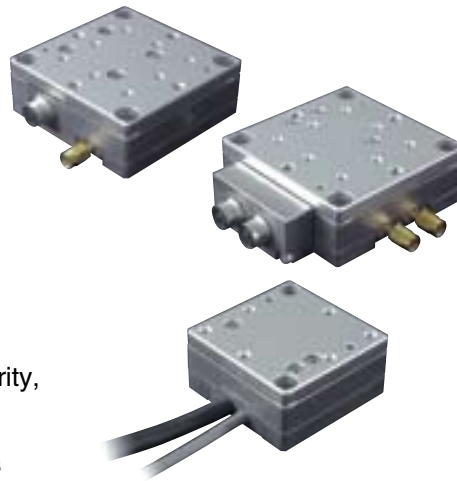


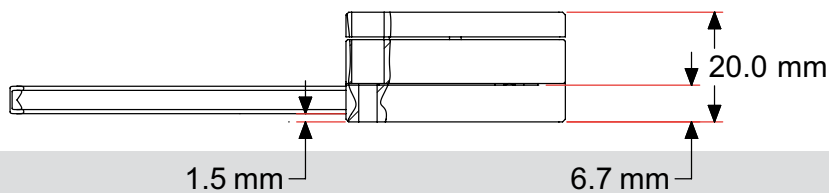
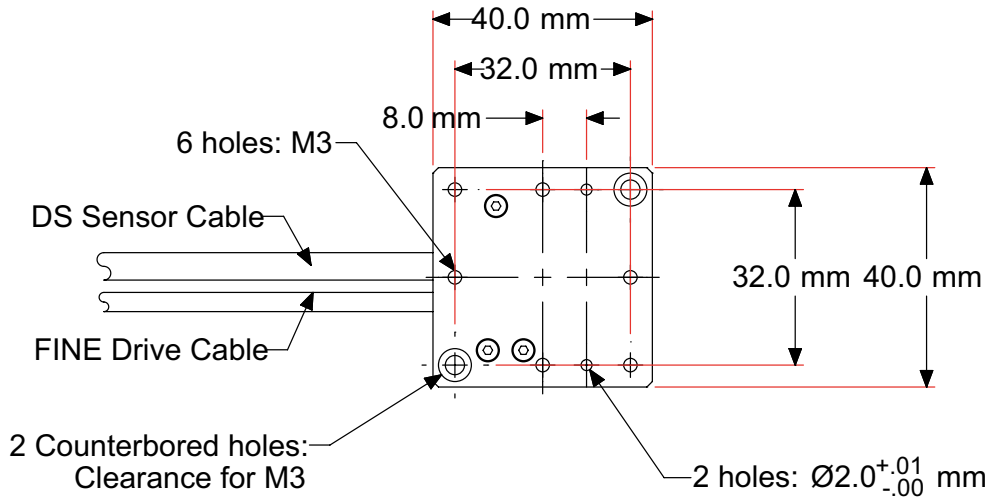
Sigma FINE Piezo Stages

- Compact, Modular design
- X, XY, XYZ, 2-axis tilt and rotation available
- Unique F/D digital closed loop sensor
- Active error compensation for precise linear trajectory control
- New models include smaller 40mm sizes
- Improved resolution, stiffness, accuracy, linearity, load capacity and speed
- Compatible with our FINE series of controllers



- Piezo Stages
- Linear Stages
- Rotation Stages
- ZF Stages
- Motorized Optics Holders
- Goniometers
- GS Closed Loop Stages
- Controllers & Drivers
- Cables & Accessories
- Software

Part No. 510-0041

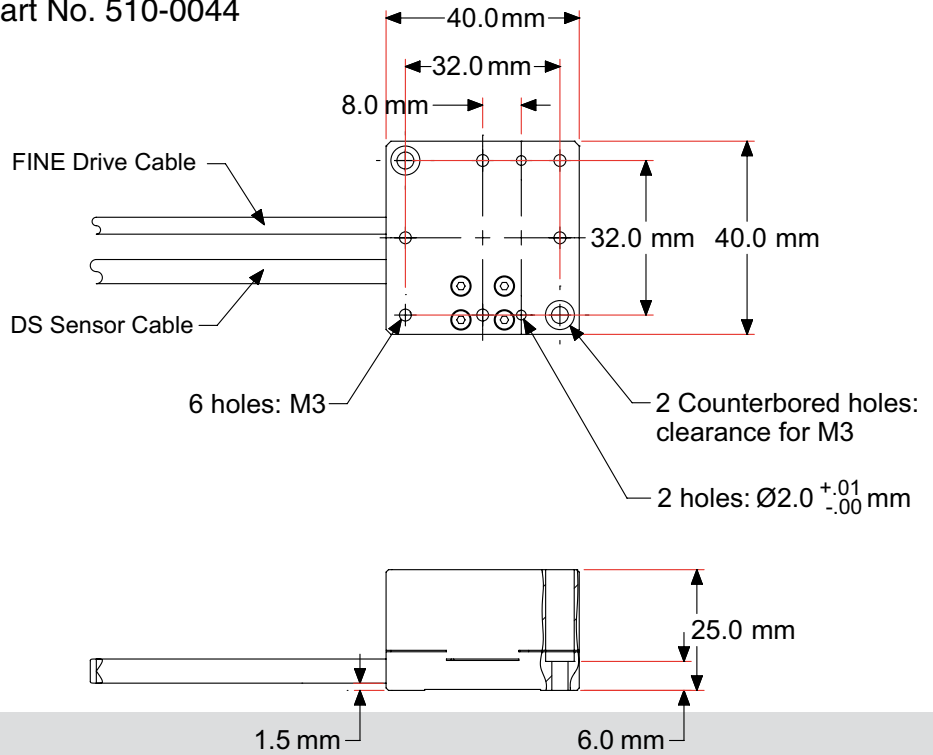


SFS H40X(CL) 40mm CLOSED LOOP SINGLE AXIS (X) STAGE

ORDERING
&
TECHNICAL SUPPORT
(949) 851-5881
FAX (949) 851-5058
E-MAIL
sales@optosigma.com
WEB
www.optosigma.com

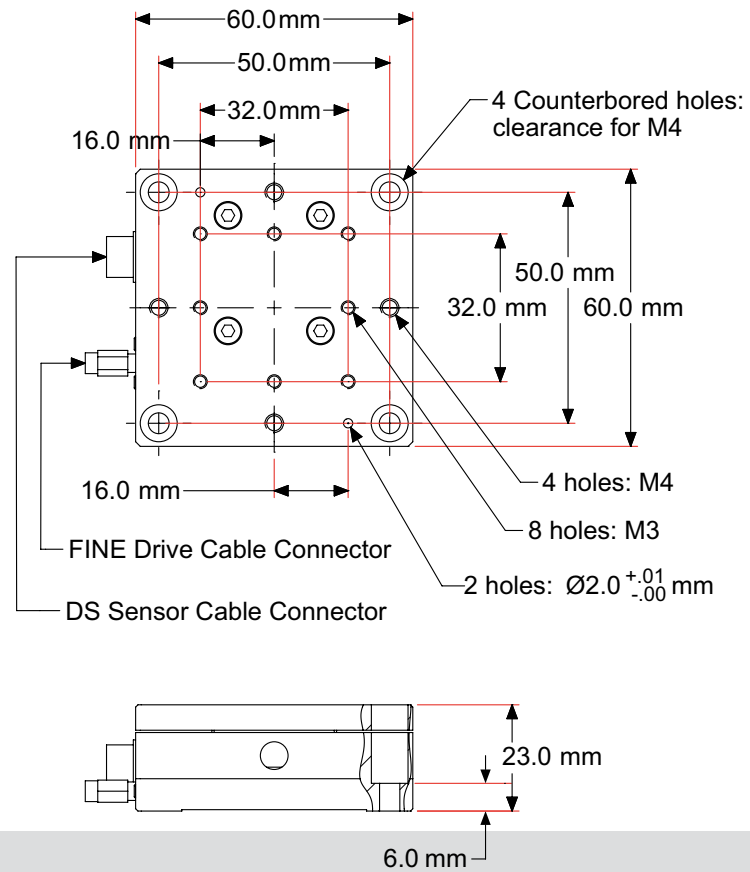


Part No. 510-0044



SFS H40Z(CL) 40mm CLOSED LOOP SINGLE AXIS (Z) STAGE

Part No. 510-0061



SFS H60X(CL) 60mm CLOSED LOOP SINGLE AXIS (X) STAGE

ORDERING
&
TECHNICAL SUPPORT

(949) 851-5881

FAX (949) 851-5058

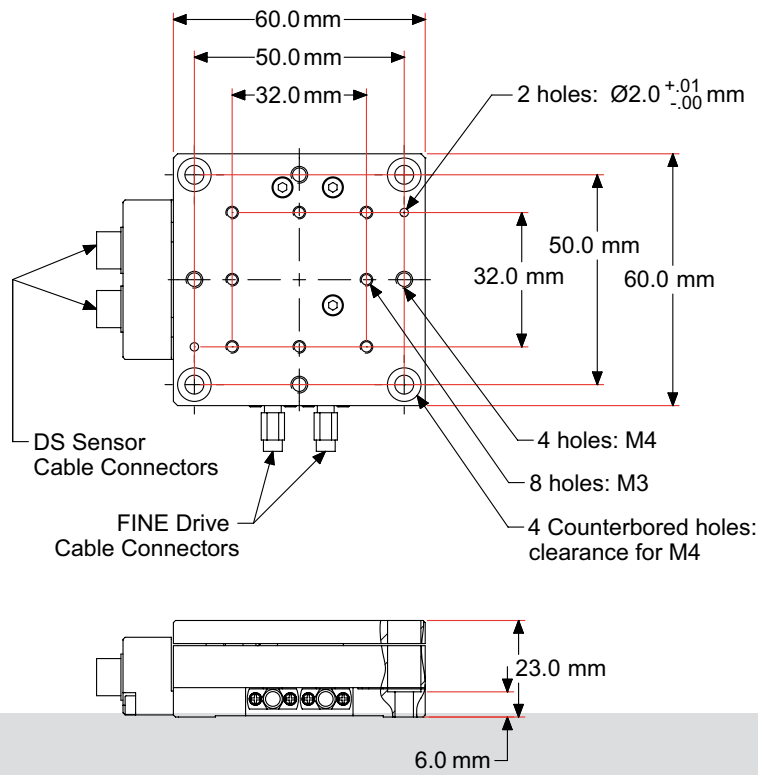
E-MAIL

sales@optosigma.com

WEB

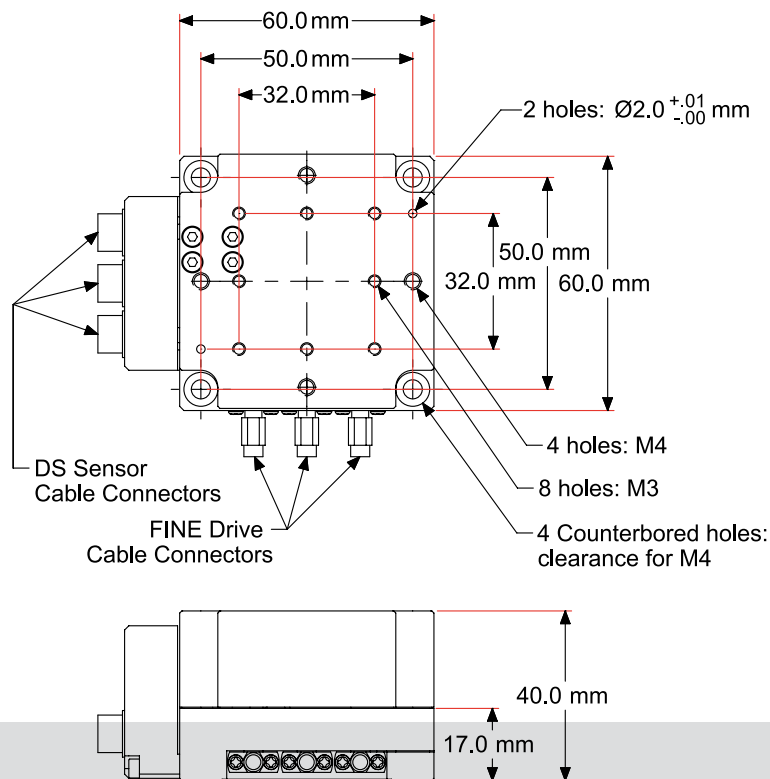
www.optosigma.com

Part No. 510-0062



SFS H60XY(CL) 60mm CLOSED LOOP TWO AXIS (XY) STAGE

Part No. 510-0063



SFS H60XYZ(CL) 60mm CLOSED LOOP THREE AXIS (XYZ) STAGE

Piezo Stages

Linear Stages

Rotation Stages

ZF Stages

Motorized Optics Holders

Goniometers

GS Closed Loop Stages

Controllers & Drivers

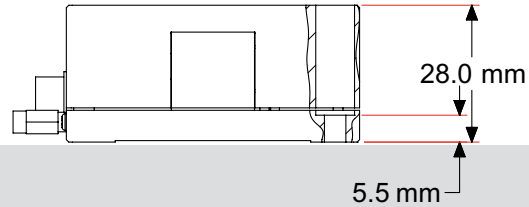
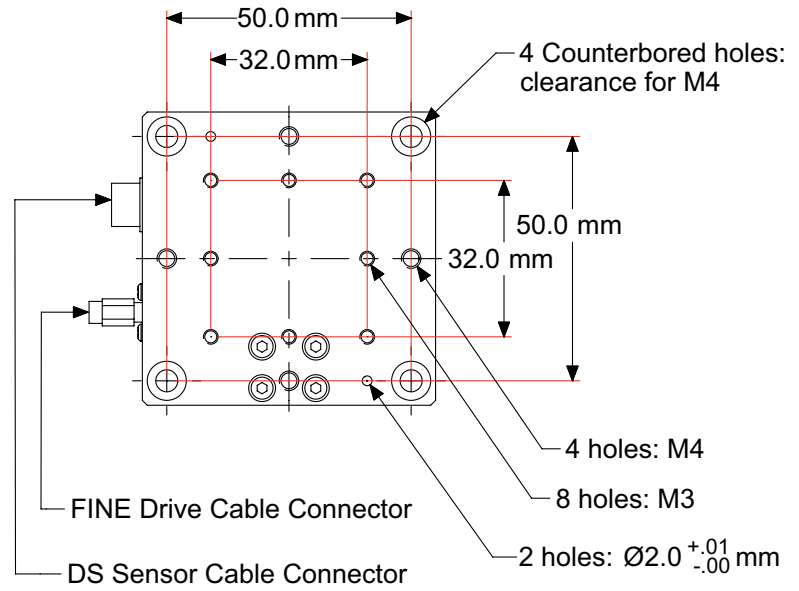
Cables & Accessories

Software

ORDERING
&
TECHNICAL SUPPORT
(949) 851-5881
FAX (949) 851-5058
E-MAIL
sales@optosigma.com
WEB
www.optosigma.com

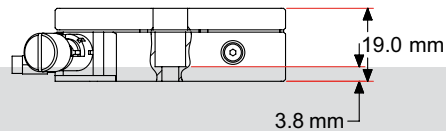
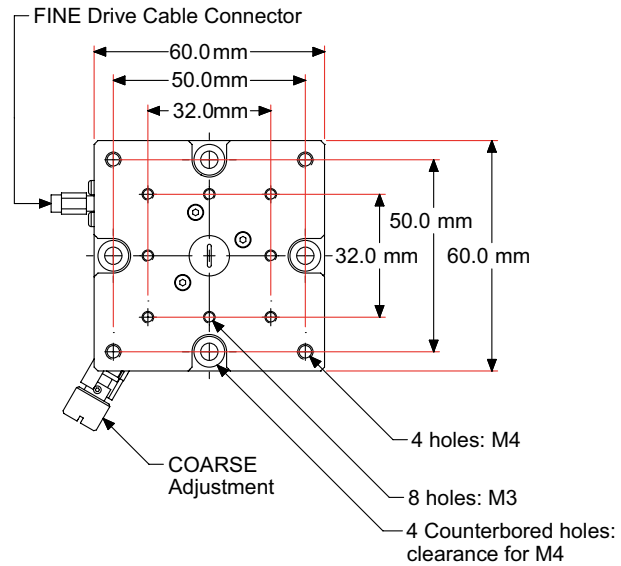


Part No. 510-0064



SFS H60Z(CL) 60mm CLOSED LOOP SINGLE AXIS VERTICAL (Z) STAGE

Part No. 510-0015



SFS 60YAW(OP) 60mm OPEN LOOP SINGLE AXIZ ($\varnothing z$) ROTATION STAGE

ORDERING
&
TECHNICAL SUPPORT

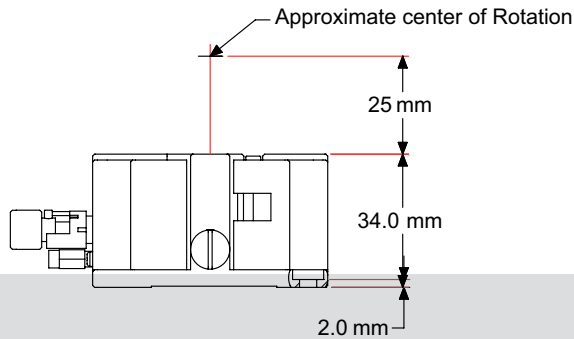
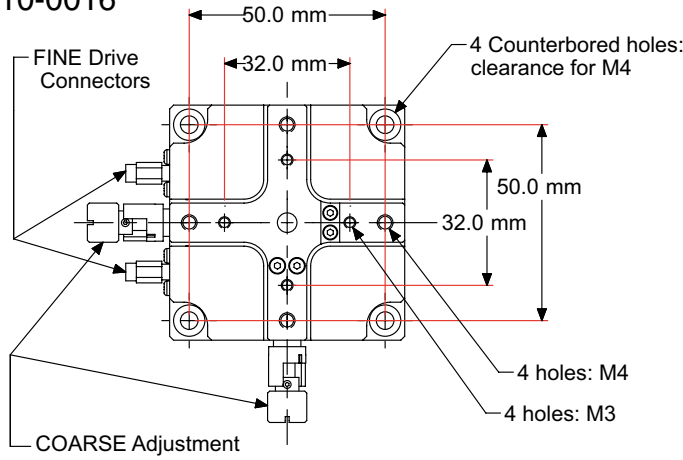
(949) 851-5881
FAX (949) 851-5058

E-MAIL
sales@optosigma.com

WEB
www.optosigma.com



Part No. 510-0016



SFS 60RP(OP) 60mm OPEN LOOP TWO AXIS (θ_x , θ_y) TILT STAGE

Specifications & Tolerances

Dimensions: ± 0.2 mm
 Sensor Resolution: 10nm
 Straightness (Y and Z direction): 1 μ m

Resolution²: 1nm
 Linearity: <0.3%
 Positional Repeatability: X, XY, Z: ≤ 0.1 μ m
 XYZ: ≤ 0.15 μ m

Piezo Linear Stages

Travel ¹ (mm)	Table Size (mm)	Load Capacity (kg)	Positional Repeatability (μ m)	Weight (kg)	Price	Model Number	PART NUMBER
90	40	1	0.1	0.28		SFS-H40X(CL)	510-0041
100	40	0.7	0.1	0.28		SFS-H40Z(CL)	510-0044
100	60	2	0.1	0.40		SFS-H60X(CL)	510-0061
100	60	1.5	0.1	0.43		SFS-H60XY(CL)	510-0062
100	60	1	0.1	0.33		SFS-H60XYZ(CL)	510-0063
100	60	1	0.15	0.63		SFS-H60Z(CL)	510-0064

Piezo Rotation Stages

Travel ¹ (Course) (arc-min)	Travel ¹ (Fine) (arc-sec)	Load Capacity (kg)	Open-loop Resolution ² (arc-sec)	Weight (kg)	Price	Model Number	PART NUMBER
57	900	1	0.01	0.31		SFS-60YAW(OP)	510-0015
25	215	1	0.005	0.38		SFS-60RP(OP)	510-0016

Notes:

- Actual travel values can be $\pm 15\%$ of the nominal value.
- Open-loop resolution is a theoretical value, based on the minimum voltage change that can be made using the FINE-01 and FINE-503 controllers.

ORDERING & TECHNICAL SUPPORT
 (949) 851-5881
 FAX (949) 851-5058
 E-MAIL sales@optosigma.com
 WEB www.optosigma.com

