

Differential Screw Adjusters

- Coarse and fine drivers combined
- Sensitivity = 1micron
- Available with 4.5 to 23.5mm travel
- Two types - mirror adjusters or micrometer replacements

Part No. 133-1160



Part No. 133-1190



Part No. 133-1110



Part No. 133-1170



Part No. 133-1180



These co-linear differential adjustment screws combine the ability to translate over long distances with the precision of a differential thread for fine motion. An outer ring controls the coarse motion and is uncalibrated while an inner thimble operates the differential driver. The thimble is marked around its circumference with divisions equivalent to 1micron of travel. The differential driver can be operated at any point of the coarse motion.

Three lengths of travel, 4.5, 7 and 10mm, are offered for use as mirror adjusters. These are fitted with an M14 thread for direct attachment to mirror mounts. Two lengths of travel, 7 and 23.5mm, are offered as micrometer replacements. These are fitted with an M10 thread which will take the place of most micrometer fittings.

- Steel Extended Contact Bearing Stages
- Steel Extended Contact Bearing Stages
- Aluminum Stages
- Rotation Stages
- Goniometers
- Rack & Pinion Dovetail Stages
- Preset Dovetail Stages
- Leadscrew Slides
- Tilt Platforms
- OEM Slides
- Accessories

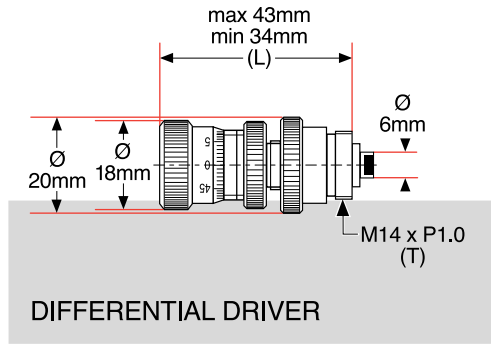
ORDERING & TECHNICAL SUPPORT
 (949) 851-5881
 FAX (949) 851-5058
 E-MAIL sales@optosigma.com
 WEB www.optosigma.com

MANUAL POSITIONERS

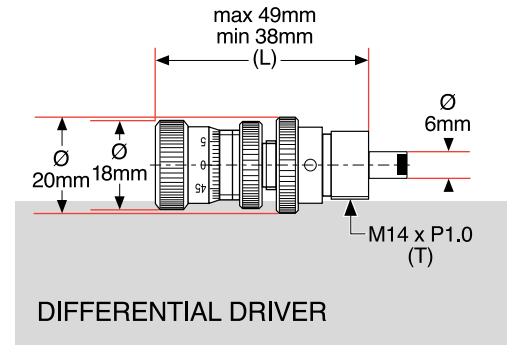
- Steel Extended Contact Bearing Stages
- Stainless Steel Extended Contact Bearing Stages
- Aluminum Stages
- Rotation Stages
- Goniometers
- Rack & Pinion Dovetail Stages
- Preset Dovetail Stages
- Leadscrew Slides
- Tilt Platforms
- OEM Slides

Accessories

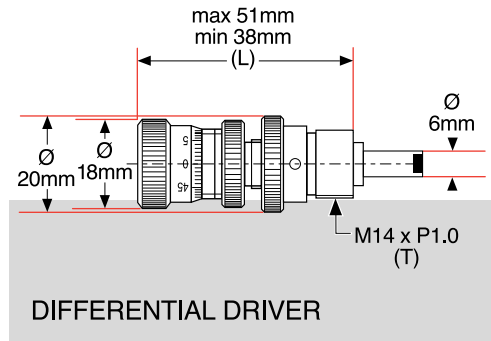
Part No. 133-1110



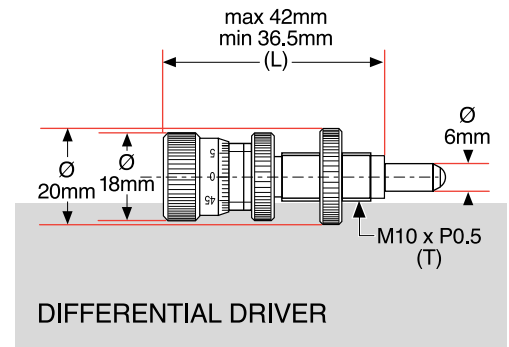
Part No. 133-1160



Part No. 133-1170



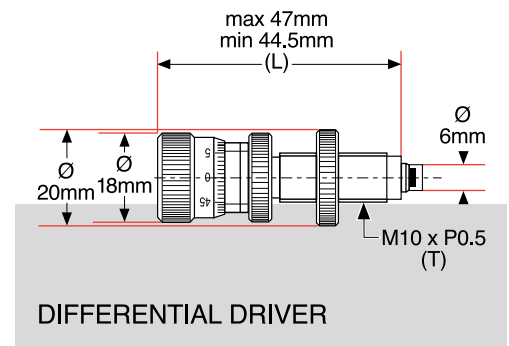
Part No. 133-1180



Specifications & Tolerances

Dimensions: ±0.2mm
 Sensitivity: 0.001mm
 Adjustment, coarse: 500 µm/turn
 Fine: 50 µm/turn
 Material: Stainless steel and brass

Part No. 133-1190



Differential Screw Adjusters

Type	Travel (mm)	Price	PART NUMBER
Mirror adjuster	4.5		133-1110
Mirror adjuster	7.0		133-1160
Mirror adjuster	10.0		133-1170
Micrometer replacement	7.0		133-1180
Micrometer replacement	10.0		133-1190

ORDERING & TECHNICAL SUPPORT
 (949) 851-5881
 FAX (949) 851-5058
 E-MAIL sales@optosigma.com
 WEB www.optosigma.com

