

## Sub-Micron Micrometer

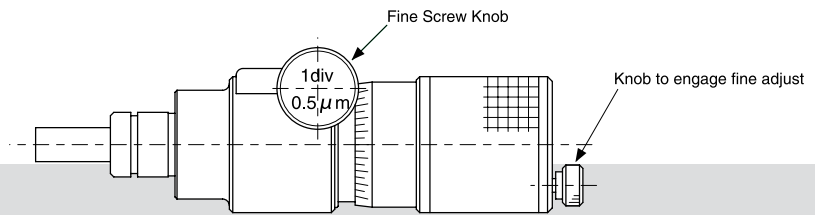
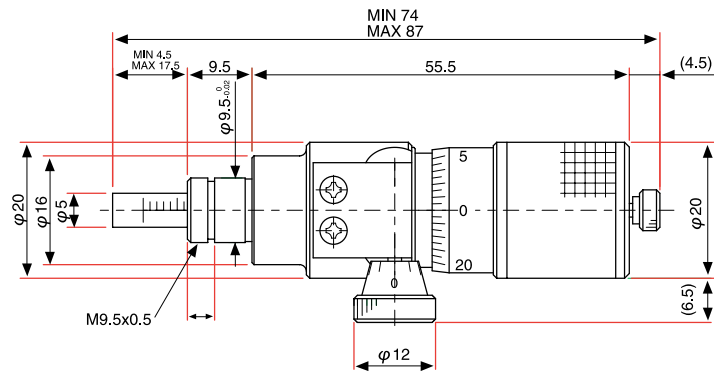
- Fine adjustment available for full 13mm travel range
- 0.5 micron resolution
- Flat and Ball tip versions
- Superior alignment capability than conventional differential micrometer
- Low cost, high value solution compared to conventional micrometer



These replacement micrometers provide an easy way to change the sensitivity of your opto-mechanical devices. Simply remove the existing micrometer and replace it with the Sub-Micron micrometer. The precise movement achieved with the Sub-Micron micrometer provides a product for use in fiber alignment applications.

### Specifications & Tolerances

Dimensions:  $\pm 0.2\text{mm}$   
 Travel: 13mm  
 Coarse adjustment: 0.25mm/turn  
 Fine adjustment: 5 microns/turn  
 Reduction gear ratio: 1/50  
 Resolution: 0.5 microns



SUB-MICRON MICROMETER

### Sub-Micron Micrometer

Type	Travel (mm)	Length (mm)	Price	PART NUMBER
Differential - Flat Tip	13.0	87.0		133-0200
Differential - Ball Tip	13.0	87.0		133-0201

ORDERING & TECHNICAL SUPPORT  
 (949) 851-5881  
 FAX (949) 851-5058  
 E-MAIL sales@optosigma.com  
 WEB www.optosigma.com

