

OEM Slides

- OEM slides for most positioning applications
- Stainless steel construction
- Extended contact bearing design for high loads



We offer a complete line of linear slides for OEM applications where the drive mechanism is not directly coupled to the carriage or body of the stage. These free moving slides may be used alone or in groups to move payloads with external lead screws or fast action pneumatic drives. OptoSigma slides are precision manufactured using our patented extended contact bearing design to improve load capacity and straightness of travel. Stainless steel construction ensure high thermal stability and excellent positioning accuracy.

These slides are perfect for OEM applications and are offered in sizes ranging from 15mm x 15mm to 60mm x 140mm footprints to meet almost any application demand. Convenient top and bottom plate tapped and through holes provide numerous mounting solutions.

For extremely heavy loads a triple bearing-way, high load slide is offered. As shown in the photograph below, these high load slides are specially designed to incorporate three separate bearing ways, thus increase the static load carrying capacity of the slide system. For specific load capabilities please refer to the ordering table on page 429.



- Steel Extended Contact Bearing Stages
- Steel Extended Contact Bearing Stages
- Aluminum Stages
- Rotation Stages
- Goniometers
- Rack & Pinion Dovetail Stages
- Preset Dovetail Stages
- Leadscrew Slides
- Tilt Platforms
- OEM Slides**
- Accessories

ORDERING
&
TECHNICAL SUPPORT
(949) 851-5881
FAX (949) 851-5058
E-MAIL
sales@optosigma.com
WEB
www.optosigma.com



Steel Extended
Contact Bearing Stages

Stainless Steel Extended
Contact Bearing Stages

Aluminum Stages

Rotation Stages

Goniometers

Rack & Pinion
Dovetail Stages

Preset Dovetail Stages

Leadscrew Slides

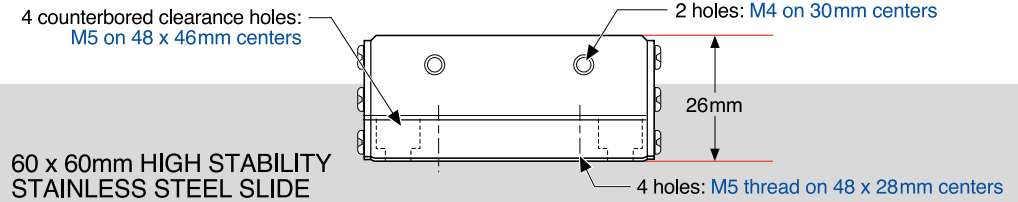
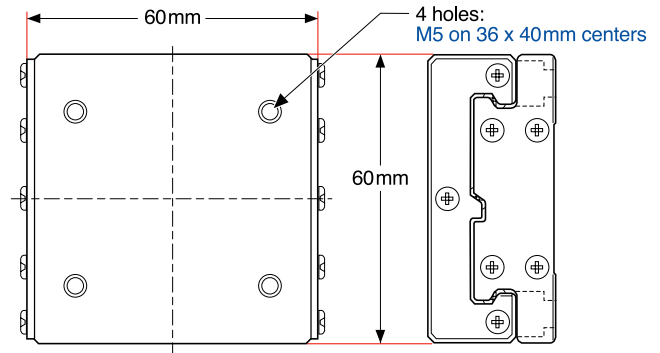
Tilt Platforms

OEM Slides

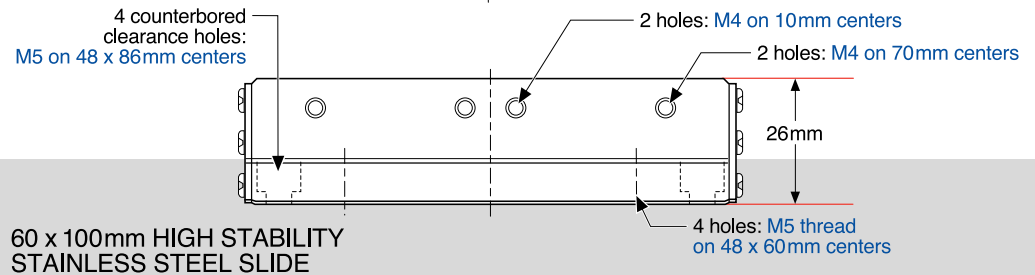
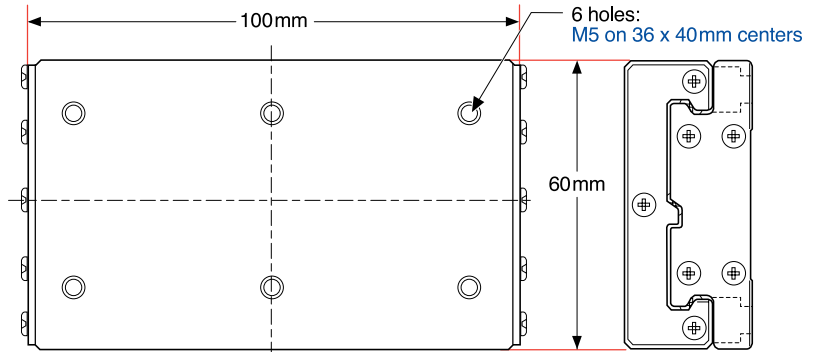
Accessories

Stainless Steel High Stability Slides

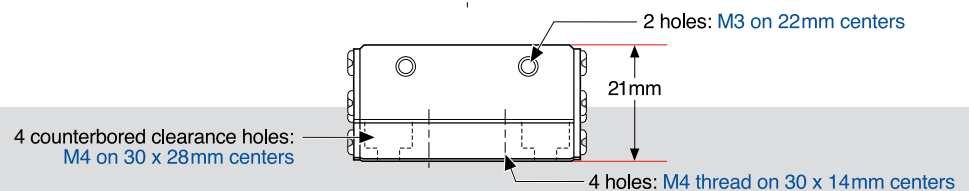
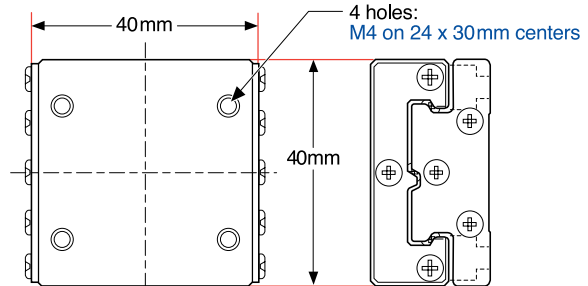
Part No. 122-2305



Part No. 122-2315



Part No. 122-2155



ORDERING
&
TECHNICAL SUPPORT

(949) 851-5881

FAX (949) 851-5058

E-MAIL

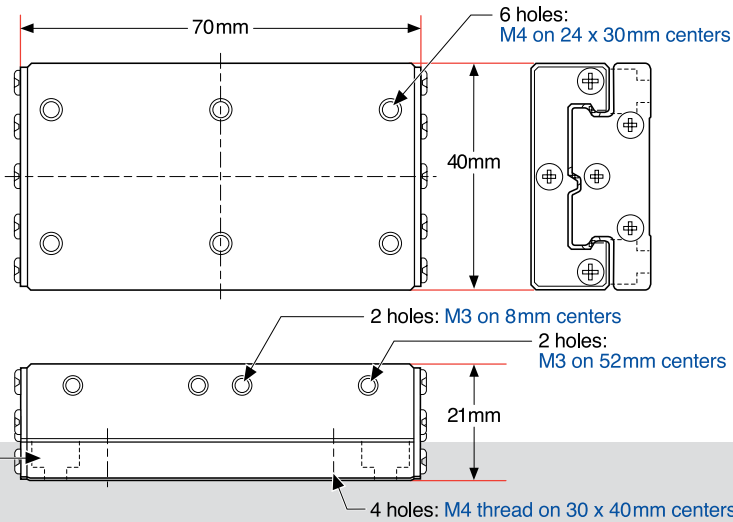
sales@optosigma.com

WEB

www.optosigma.com

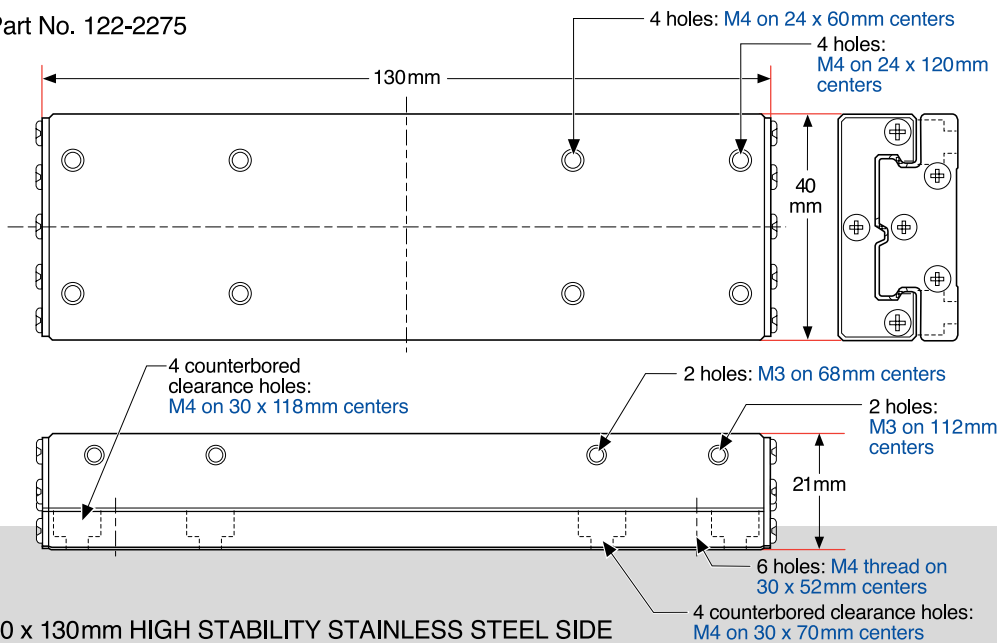
- Steel Extended Contact Bearing Stages
- Steel Extended Contact Bearing Stages
- Aluminum Stages
- Rotation Stages
- Goniometers
- Rack & Pinion Dovetail Stages
- Preset Dovetail Stages
- Leadscrew Slides
- Tilt Platforms
- OEM Slides
- Accessories

Part No. 122-2265



40 x 70mm HIGH STABILITY STAINLESS STEEL SLIDE

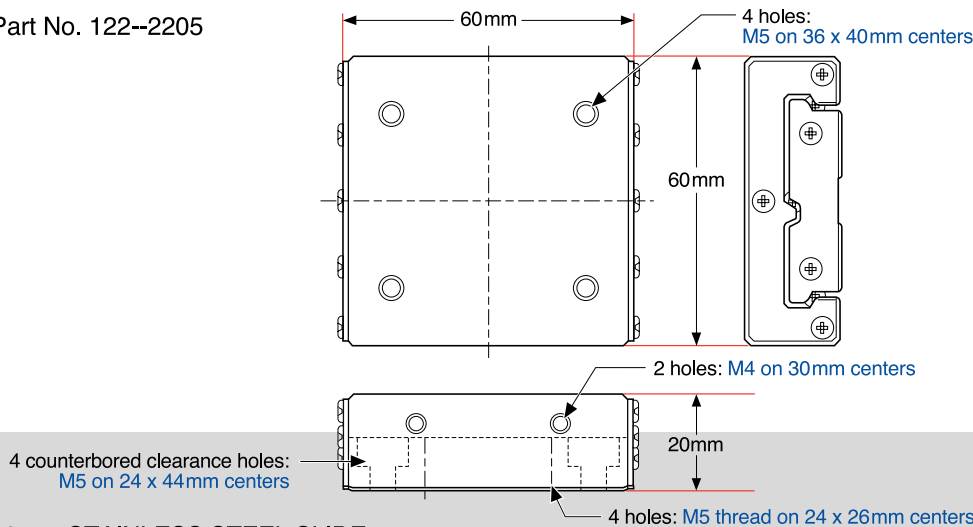
Part No. 122-2275



40 x 130mm HIGH STABILITY STAINLESS STEEL SLIDE

60mm Stainless Steel Slides

Part No. 122-2205



60mm STAINLESS STEEL SLIDE

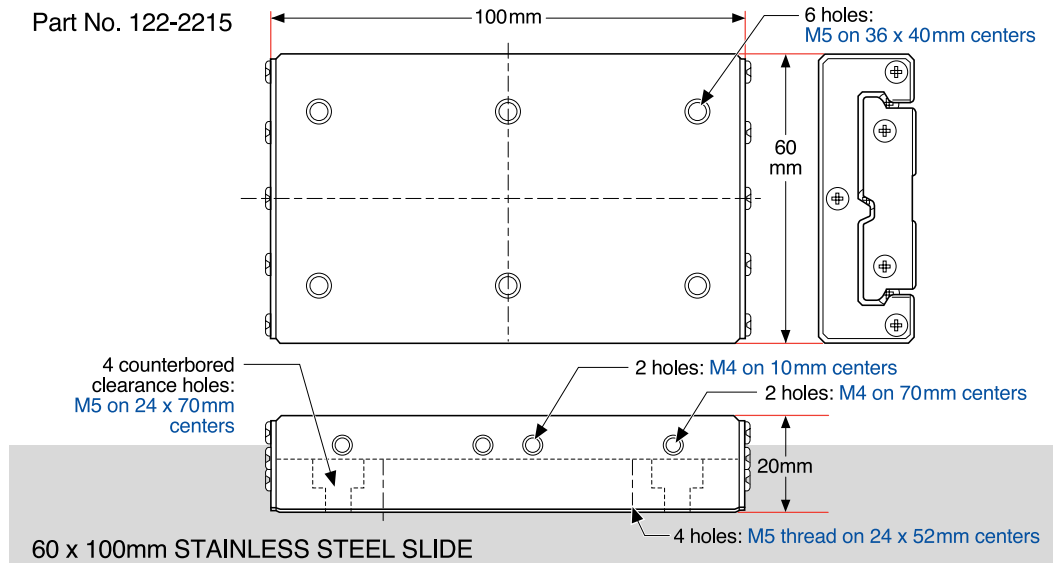
ORDERING
&
TECHNICAL SUPPORT
(949) 851-5881
FAX (949) 851-5058
E-MAIL
sales@optosigma.com
WEB
www.optosigma.com



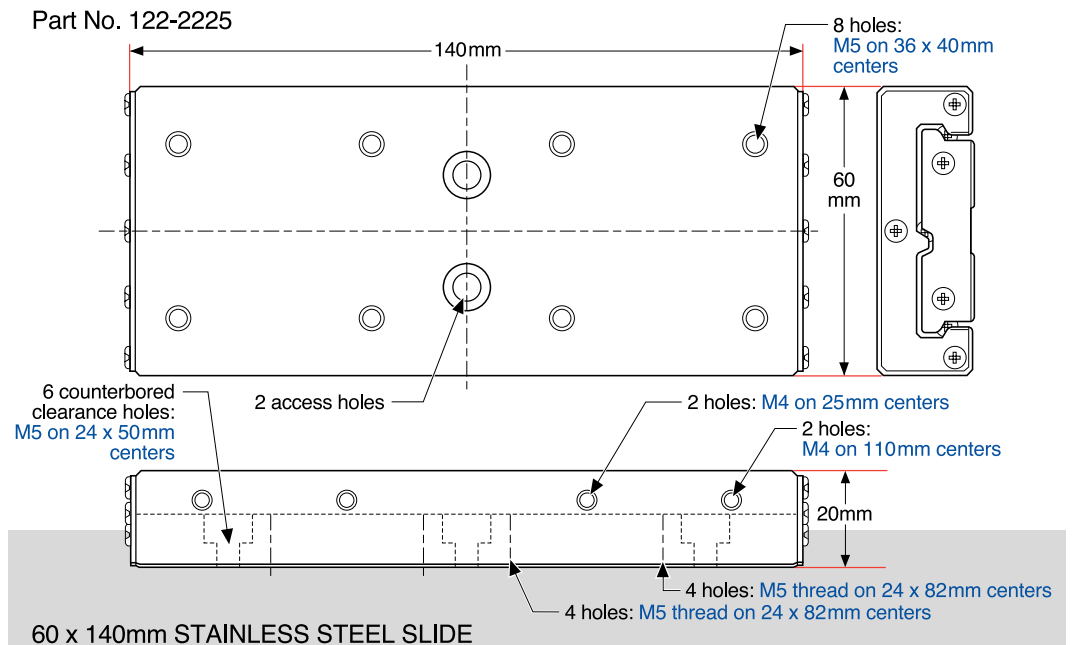
- Steel Extended Contact Bearing Stages
- Stainless Steel Extended Contact Bearing Stages
- Aluminum Stages
- Rotation Stages
- Goniometers
- Rack & Pinion Dovetail Stages
- Preset Dovetail Stages
- Leadscrew Slides
- Tilt Platforms
- OEM Slides**
- Accessories

60mm Stainless Steel Slides

Part No. 122-2215

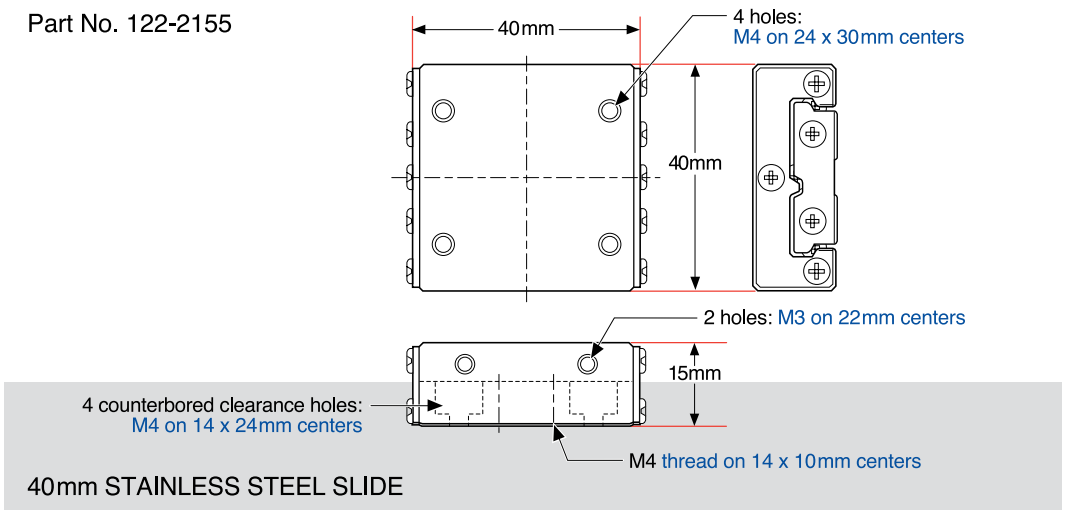


Part No. 122-2225



40mm Stainless Steel Slides

Part No. 122-2155



ORDERING
&
TECHNICAL SUPPORT

(949) 851-5881

FAX (949) 851-5058

E-MAIL

sales@optosigma.com

WEB

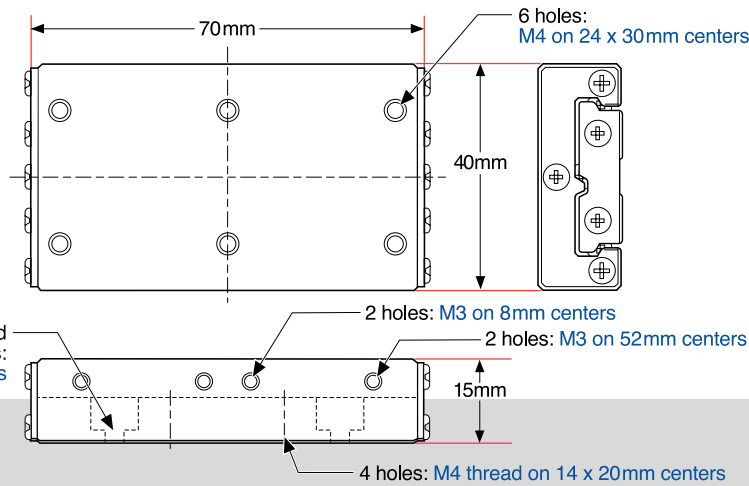
www.optosigma.com



40mm Stainless Steel Slides

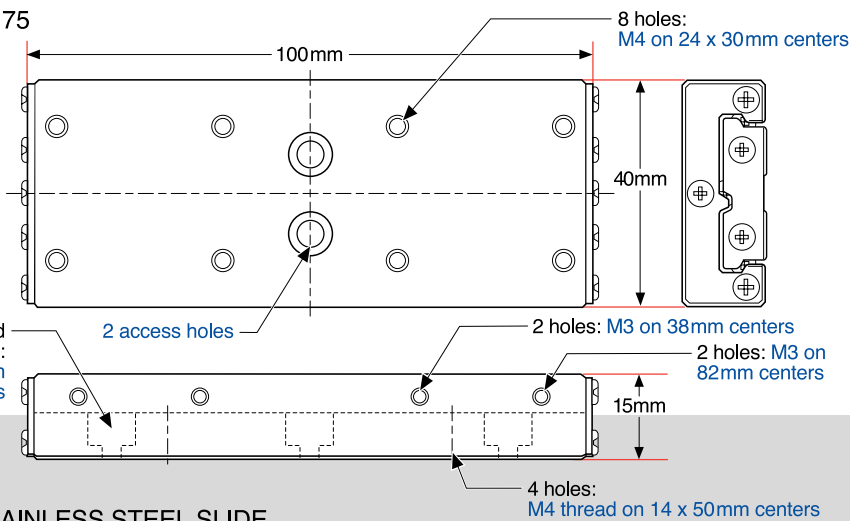
- Steel Extended Contact Bearing Stages
- Steel Extended Contact Bearing Stages
- Aluminum Stages
- Rotation Stages
- Goniometers
- Rack & Pinion Dovetail Stages
- Preset Dovetail Stages
- Leadscrew Slides
- Tilt Platforms
- OEM Slides
- Accessories

Part No. 122-2165



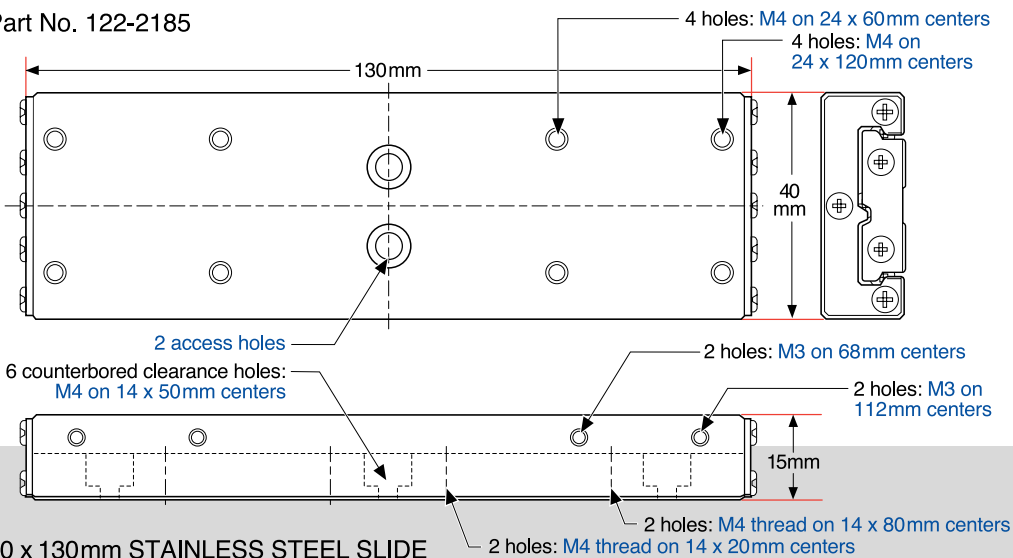
40 x 70mm STAINLESS STEEL SLIDE

Part No. 122-2175



40 x 100mm STAINLESS STEEL SLIDE

Part No. 122-2185



40 x 130mm STAINLESS STEEL SLIDE

ORDERING
&
TECHNICAL SUPPORT
(949) 851-5881
FAX (949) 851-5058
E-MAIL
sales@optosigma.com
WEB
www.optosigma.com



Steel Extended
Contact Bearing Stages

Stainless Steel Extended
Contact Bearing Stages

Aluminum Stages

Rotation Stages

Goniometers

Rack & Pinion
Dovetail Stages

Preset Dovetail Stages

Leadscrew Slides

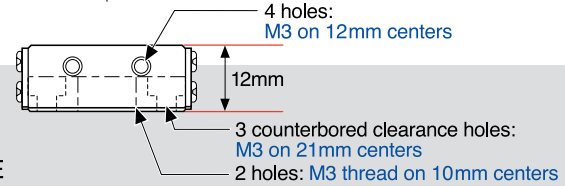
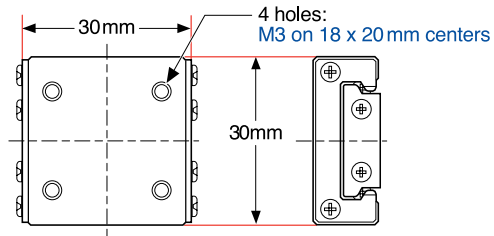
Tilt Platforms

OEM Slides

Accessories

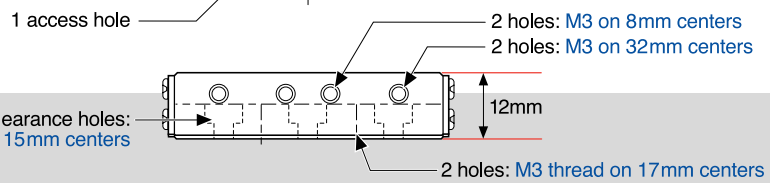
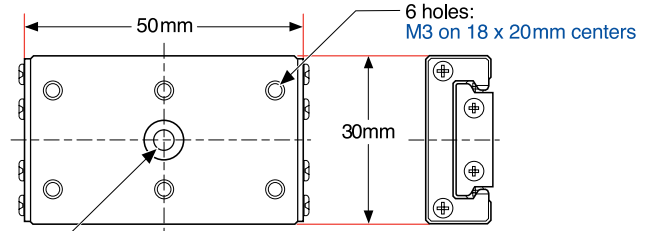
Stainless Steel Slides

Part No. 122-2105



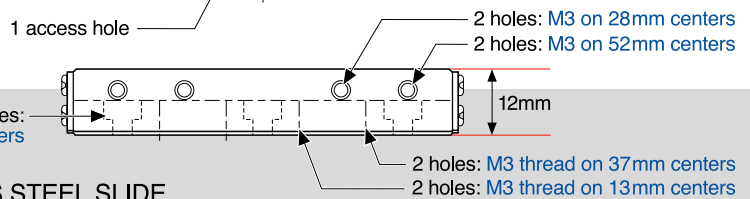
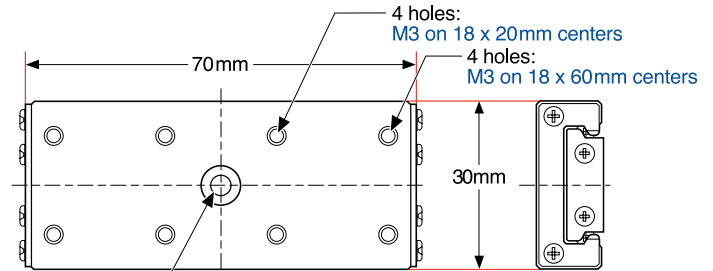
30mm STAINLESS STEEL SLIDE

Part No. 122-2115



30 x 50mm STAINLESS STEEL SLIDE

Part No. 122-2125



30 x 70mm STAINLESS STEEL SLIDE

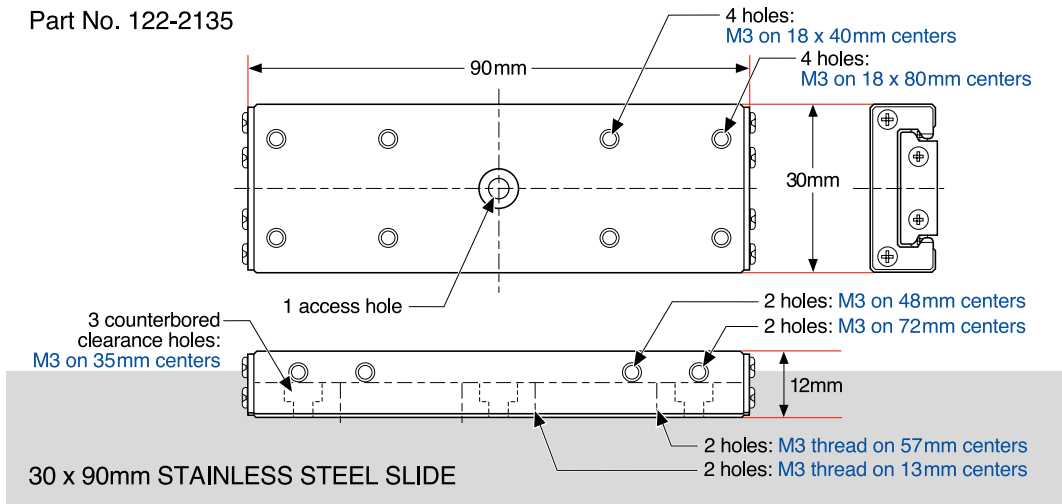
ORDERING
&
TECHNICAL SUPPORT

(949) 851-5881
FAX (949) 851-5058

E-MAIL
sales@optosigma.com

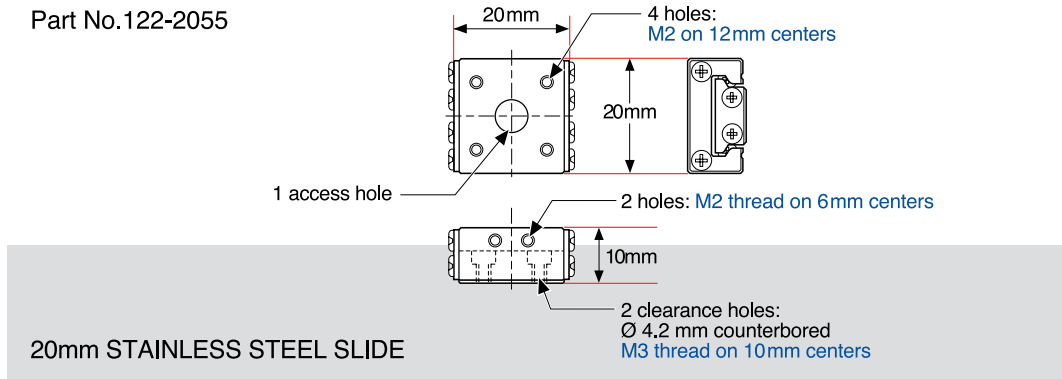
WEB
www.optosigma.com

Part No. 122-2135

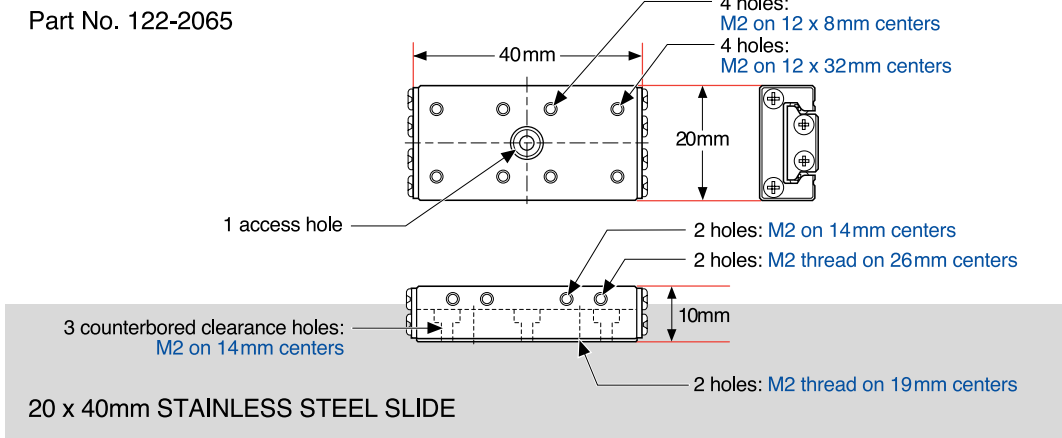


20mm Stainless Steel Slides

Part No. 122-2055



Part No. 122-2065



ORDERING
 &
 TECHNICAL SUPPORT
 (949) 851-5881
 FAX (949) 851-5058
 E-MAIL
sales@optosigma.com
 WEB
www.optosigma.com

Steel Extended
Contact Bearing Stages

Stainless Steel Extended
Contact Bearing Stages

Aluminum Stages

Rotation Stages

Goniometers

Rack & Pinion
Dovetail Stages

Preset Dovetail Stages

Leadscrew Slides

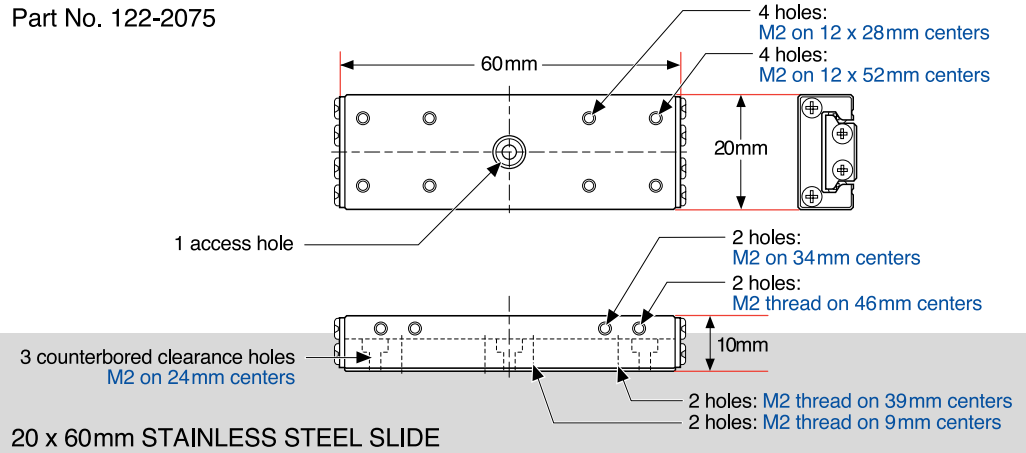
Tilt Platforms

OEM Slides

Accessories

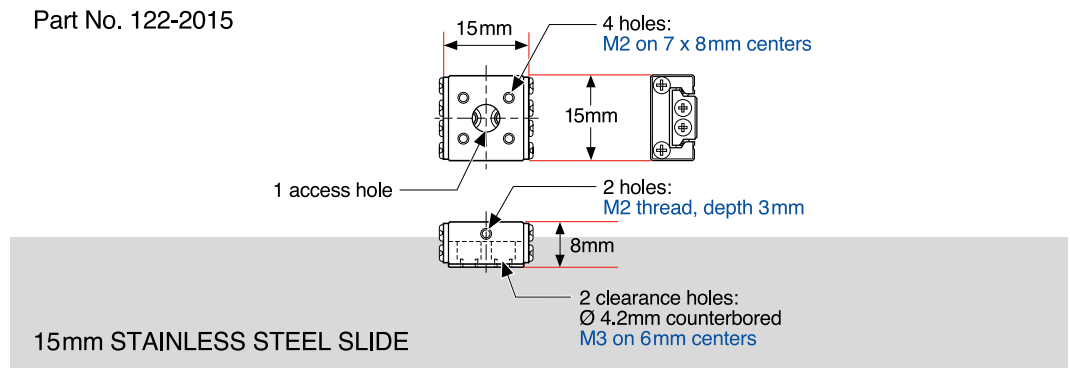
Stainless Steel Slides

Part No. 122-2075

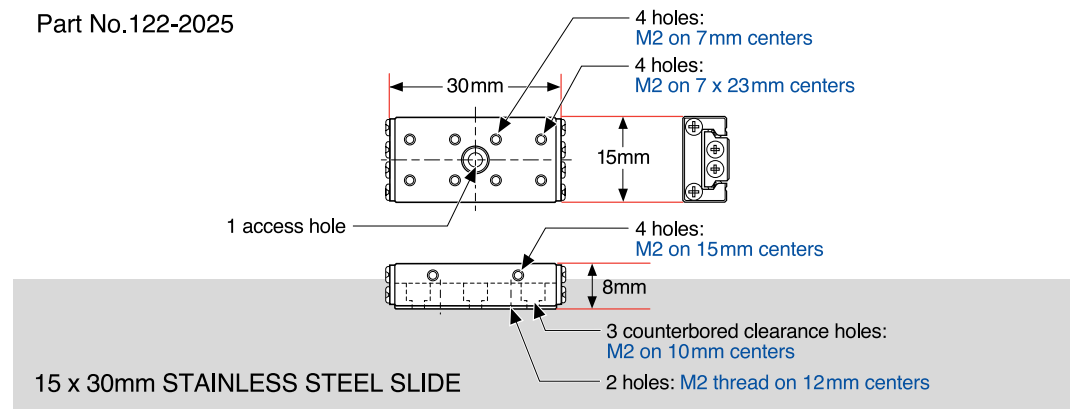


15mm Stainless Steel Slides

Part No. 122-2015



Part No. 122-2025



ORDERING
&
TECHNICAL SUPPORT

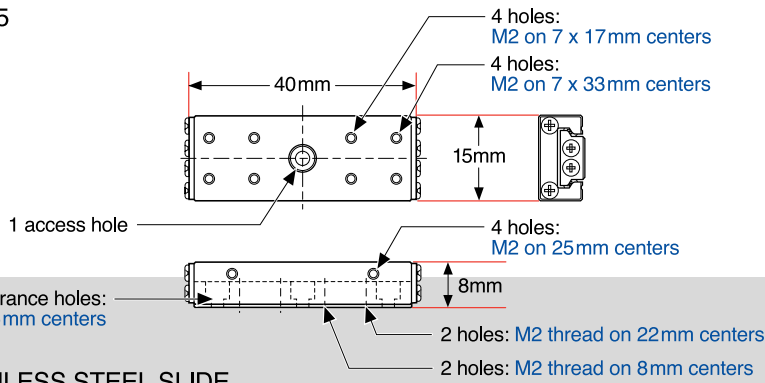
(949) 851-5881
FAX (949) 851-5058

E-MAIL
sales@optosigma.com

WEB
www.optosigma.com



Part No. 122-2035



15 x 40mm STAINLESS STEEL SLIDE

Specifications & Tolerances

Dimensions: $\pm 0.2\text{mm}$
 Pitch: $< 25\text{arcsec}$
 Material: Stainless steel

Straightness: < 0.005
 Yaw: $< 15\text{arcsec}$

Stainless Steel High Stability Slides

Dimensions, (mm)	Height, (mm)	Travel, (mm)	Load Capacity, (kg)	Price	PART NUMBER
60 x 60	26	28	297		122-2305
60 x 100	26	60	445		122-2315
40 x 40	21	20	101		122-2255
40 x 70	21	40	182		122-2265
40 x 130	21	75	364		122-2275

Stainless Steel Slides

Dimensions, (mm)	Height, (mm)	Travel, (mm)	Load Capacity, (kg)	Price	PART NUMBER
60 x 60	20	28	297		122-2205
60 x 100	20	60	445		122-2215
60 x 140	20	80	643		122-2225
40 x 40	15	20	101		122-2155
40 x 70	15	40	182		122-2165
40 x 100	15	60	263		122-2175
40 x 130	15	75	364		122-2185
30 x 30	12	14	54		122-2105
30 x 50	12	28	94		122-2115
30 x 70	12	40	121		122-2125
30 x 90	12	54	162		122-2135
20 x 20	10	8	40		122-2055
20 x 40	10	24	67		122-2065
20 x 60	10	36	108		122-2075
15 x 15	8	6	18		122-2015
15 x 30	8	18	45		122-2025
15 x 40	8	24	63		122-2035

ORDERING
 &
 TECHNICAL SUPPORT
 (949) 851-5881
 FAX (949) 851-5058
 E-MAIL
sales@optosigma.com
 WEB
www.optosigma.com

