

- Steel Extended Contact Bearing Stages
- Stainless Steel Extended Contact Bearing Stages
- Aluminum Stages
- Rotation Stages
- Goniometers
- Rack & Pinion Dovetail Stages
- Preset Dovetail Stages

Leadscrew Slides

- Tilt Platforms
- OEM Slides
- Accessories

Leadscrew Slides

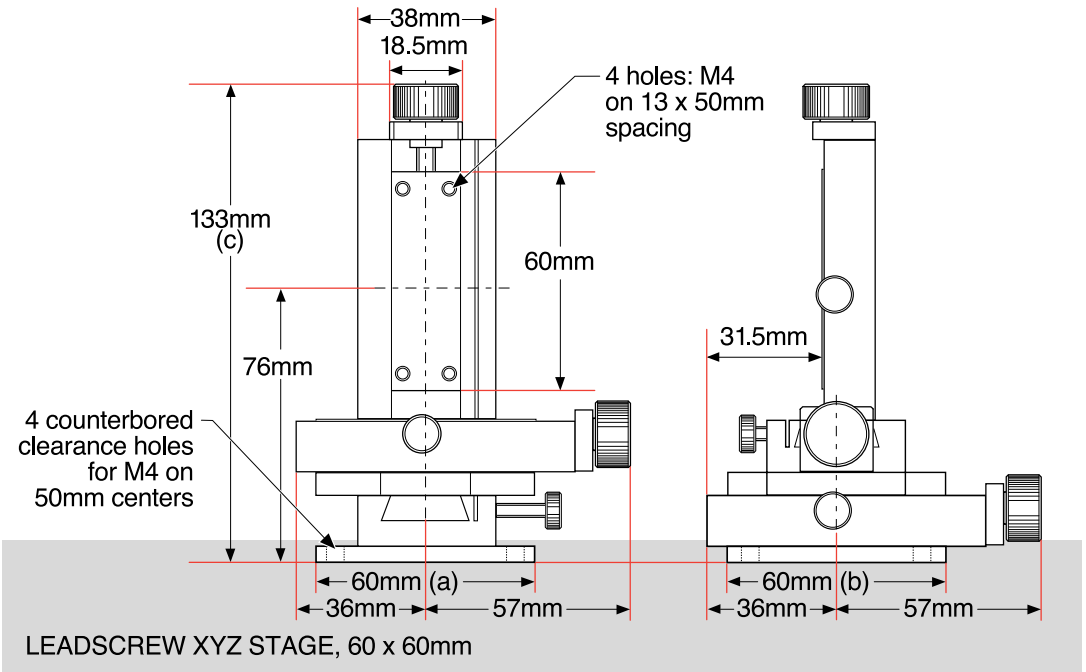
- Inexpensive leadscrew slides
- Ideal for non-critical positioning
- Three lengths of travel
- X, XY and XYZ versions
- Lockable



These simple brass slides use a dovetail bearing and a leadscrew drive to provide X, XY or XYZ adjustment. They are ideal for rough positioning of detectors or optical components. They may be stacked together but they are not compatible with our precision stages.

60mm Leadscrew Slides

Part No. 123-7167



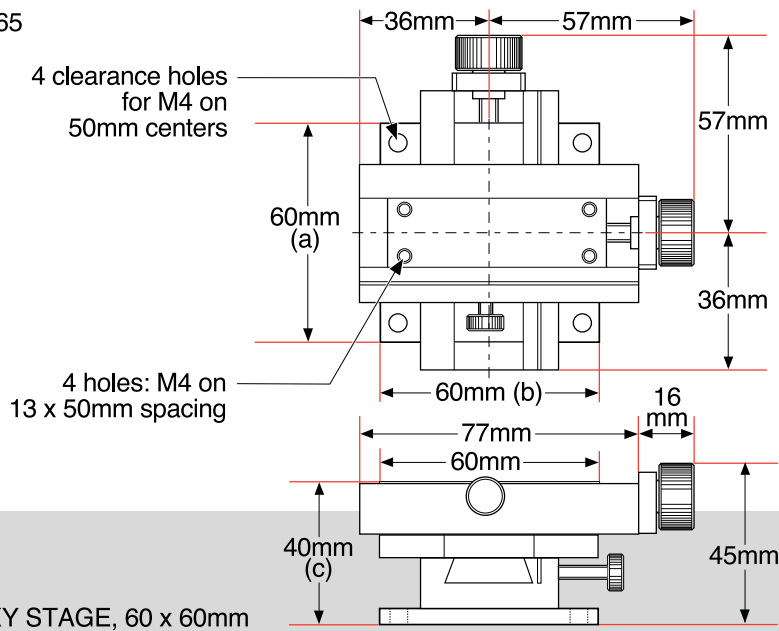
ORDERING
&
TECHNICAL SUPPORT
(949) 851-5881
FAX (949) 851-5058
E-MAIL
sales@optosigma.com
WEB
www.optosigma.com



- Steel Extended Contact Bearing Stages
- Steel Extended Contact Bearing Stages
- Aluminum Stages
- Rotation Stages
- Goniometers
- Rack & Pinion Dovetail Stages
- Preset Dovetail Stages
- Leadscrew Slides**
- Tilt Platforms
- OEM Slides
- Accessories

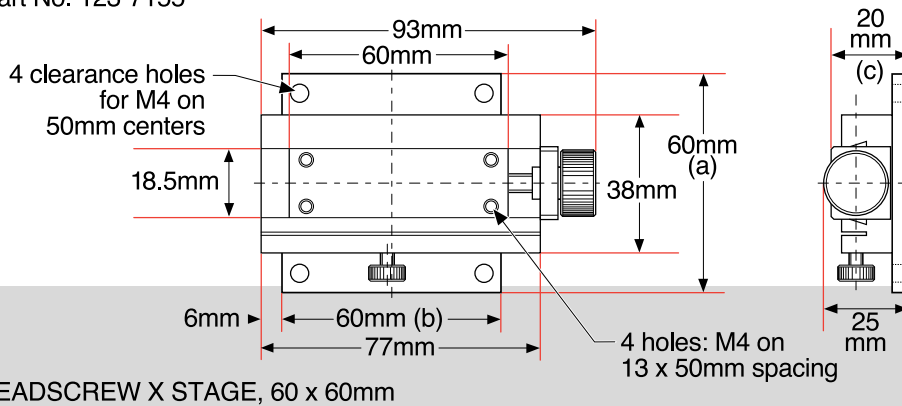
60mm Leadscrew Slides

Part No. 123-7165



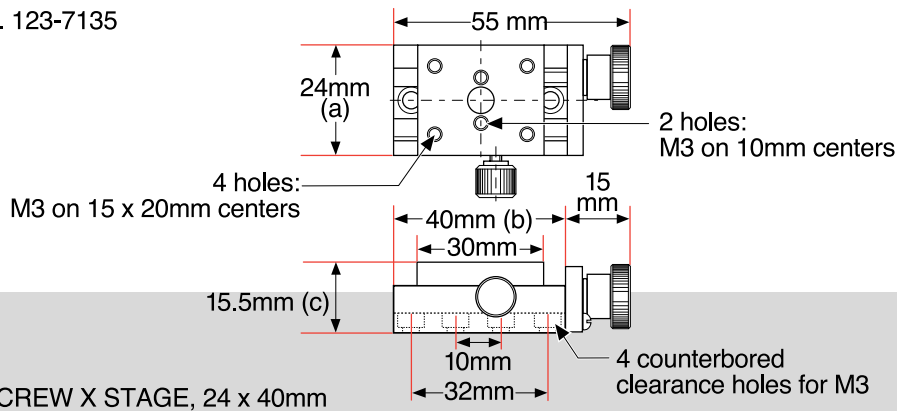
Not all motion control needs to be precise. These general purpose slides are mechanisms adequate for many applications.

Part No. 123-7155



24mm Leadscrew Slides

Part No. 123-7135

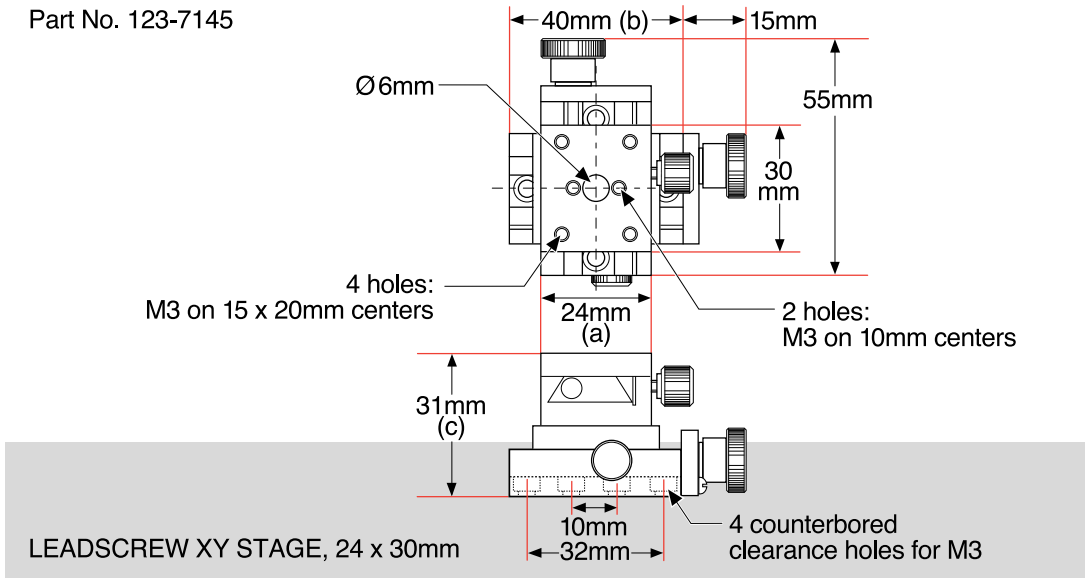
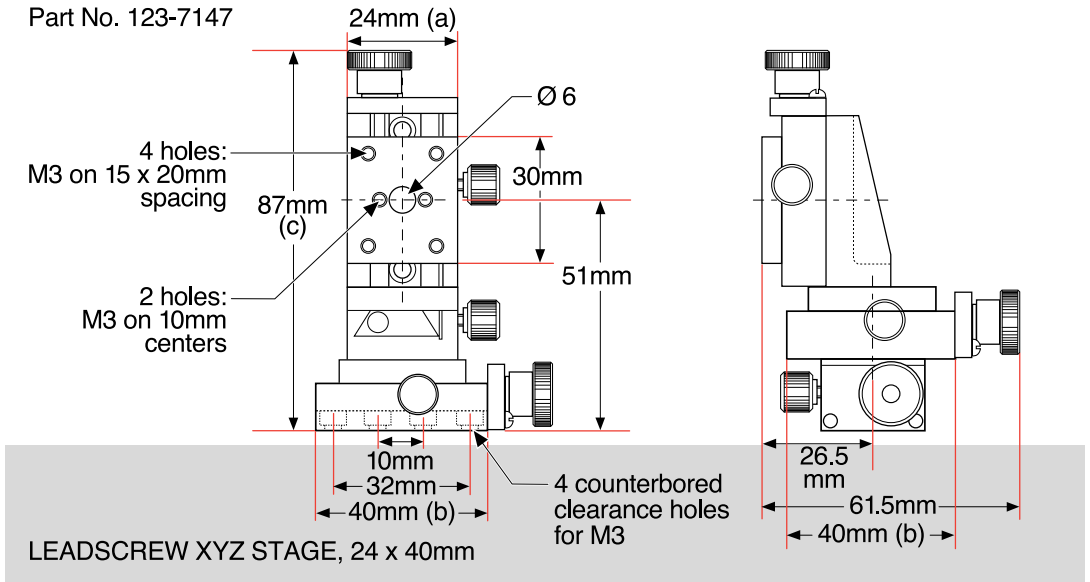


ORDERING
&
TECHNICAL SUPPORT
(949) 851-5881
FAX (949) 851-5058
E-MAIL
sales@optosigma.com
WEB
www.optosigma.com

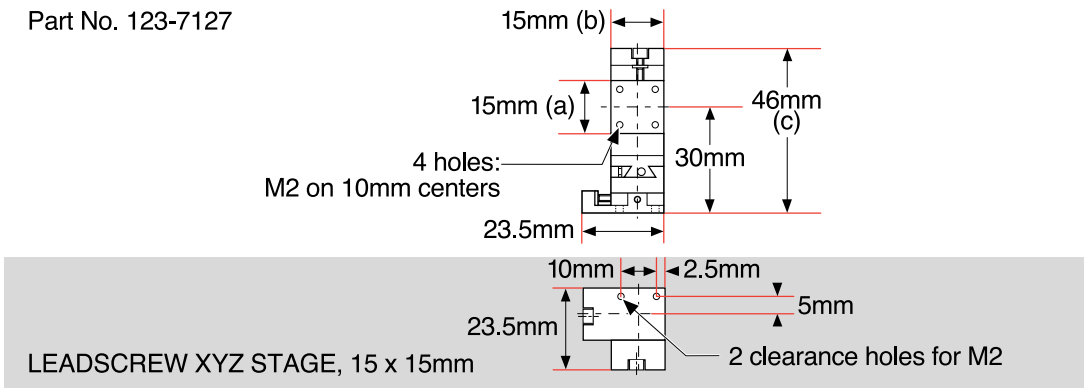


- Steel Extended Contact Bearing Stages
- Stainless Steel Extended Contact Bearing Stages
- Aluminum Stages
- Rotation Stages
- Goniometers
- Rack & Pinion Dovetail Stages
- Preset Dovetail Stages
- Leadscrew Slides
- Tilt Platforms
- OEM Slides
- Accessories

24mm Leadscrew Slides



15mm Leadscrew Slides

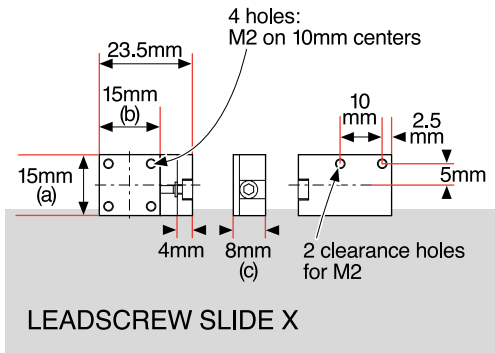


ORDERING
&
TECHNICAL SUPPORT
(949) 851-5881
FAX (949) 851-5058
E-MAIL
sales@optosigma.com
WEB
www.optosigma.com

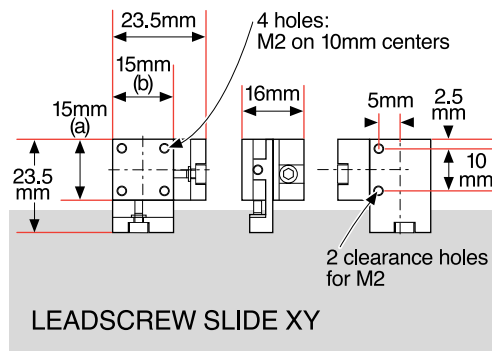


- Steel Extended Contact Bearing Stages
- Steel Extended Contact Bearing Stages
- Aluminum Stages
- Rotation Stages
- Goniometers
- Rack & Pinion Dovetail Stages
- Preset Dovetail Stages
- Leadscrew Slides**
- Tilt Platforms
- OEM Slides
- Accessories

Part No. 123-7115



Part No. 123-7125



Specifications & Tolerances

Dimensions: $\pm 0.2\text{mm}$
 Straightness: 0.1mm
 Sensitivity: 0.5mm

Finish: Black paint and chrome
 Material: Brass

Leadscrew Slides

| Dimensions, a x b (mm) | Height, c (mm) | Axes of Travel | Travel (mm) | Load Capacity (kg) | Price | PART NUMBER |
|------------------------|----------------|----------------|-------------|--------------------|-------|-------------|
| 60 x 60 | 20.0 | X | 15 | 15 | | 123-7155 |
| 60 x 60 | 40.0 | XY | 15 | 15 | | 123-7165 |
| 60 x 60 | 113.0 | XYZ | 15 | 15 | | 123-7167 |
| 24 x 40 | 15.5 | X | 8 | 7 | | 123-7135 |
| 24 x 40 | 31.0 | XY | 8 | 7 | | 123-7145 |
| 24 x 40 | 71.0 | XYZ | 8 | 7 | | 123-7147 |
| 15 x 15 | 8.0 | X | 6 | 1 | | 123-7115 |
| 15 x 15 | 16.0 | XY | 6 | 1 | | 123-7125 |
| 15 x 15 | 38.0 | XYZ | 6 | 1 | | 123-7127 |



Our extensive metrology capabilities ensure that our products will meet or exceed their specifications.

ORDERING
 &
 TECHNICAL SUPPORT
 (949) 851-5881
 FAX (949) 851-5058
 E-MAIL
sales@optosigma.com
 WEB
www.optosigma.com

