

Steel Extended  
Contact Bearing Stages

Stainless Steel Extended  
Contact Bearing Stages

Aluminum Stages

Rotation Stages

Goniometers

Rack & Pinion  
Dovetail Stages

Preset Dovetail Stages

Leadscrew Slides

Tilt Platforms

OEM Slides

Accessories

Dovetail stages are so called because of the cross sectional shape of the slide. They have been used for many years as a simple and accurate form of linear bearing.

## Rack and Pinion Dovetail Stages

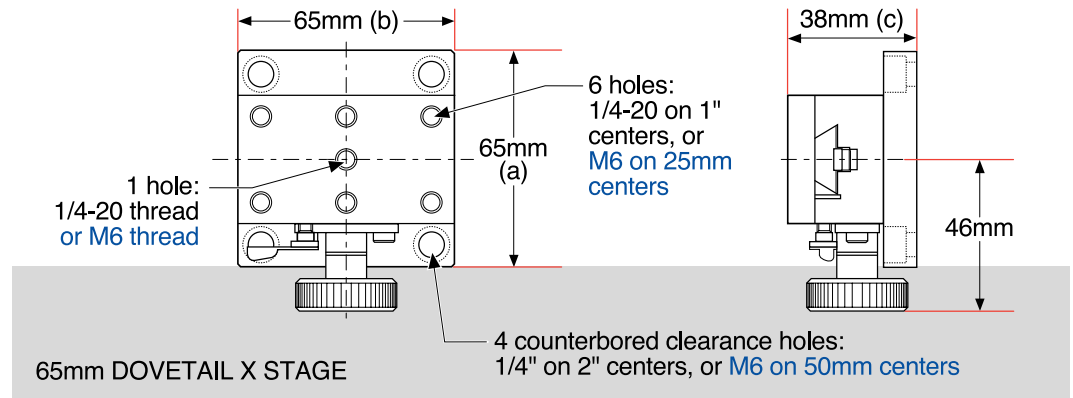
- Long, fast travel
- Rack & pinion drive
- Ideal for focus and field adjustment
- 65 and 25mm sizes provide up to 130mm of travel
- 1/4-20 (M6) hole pattern
- Lockable



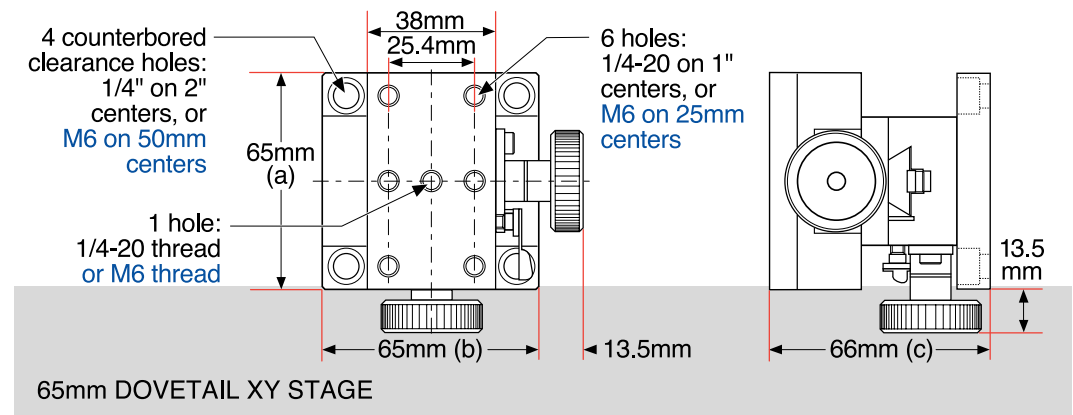
When longer ranges of travel are required conventional stages may not be sufficient. For imaging applications it is often necessary to scan a detector over the field and focus volume of image space. These, long travel, dovetail stages provide the perfect solution. They may be driven by rack and pinion over a large distance without losing their alignment. The coarse drive enables rapid positioning of the stage. Once set in position the stage may be locked by means of a clamp lever so it will not move. If it is required to provide fine movement our conventional stages have compatible mounting holes and can be attached to these stages. The 65mm stages are compatible with 1/4inch or M6, industry standard, mounting patterns and are offered as X, XY and XYZ stages. The 25mm stages are compatible with our mini-system and are offered as linear stages of various travel ranges.

### 65mm Rack and Pinion Stages

Part No. 123-4710/4715



Part No. 123-4720/4725



ORDERING  
&  
TECHNICAL SUPPORT  
(949) 851-5881  
FAX (949) 851-5058  
E-MAIL  
sales@optosigma.com  
WEB  
www.optosigma.com



## 65mm Rack and Pinion Stages

Steel Extended  
Contact Bearing Stages

Steel Extended  
Contact Bearing Stages

Aluminum Stages

Rotation Stages

Goniometers

Rack & Pinion  
Dovetail Stages

Preset Dovetail Stages

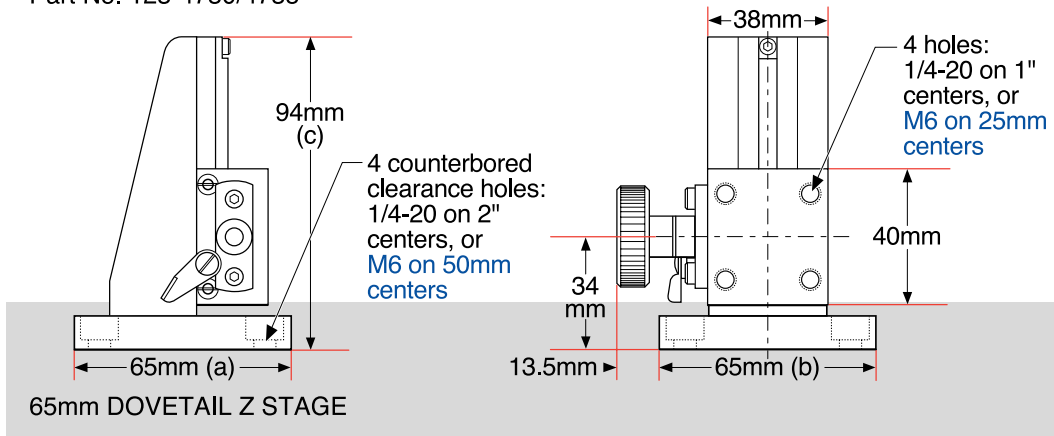
Leadscrew Slides

Tilt Platforms

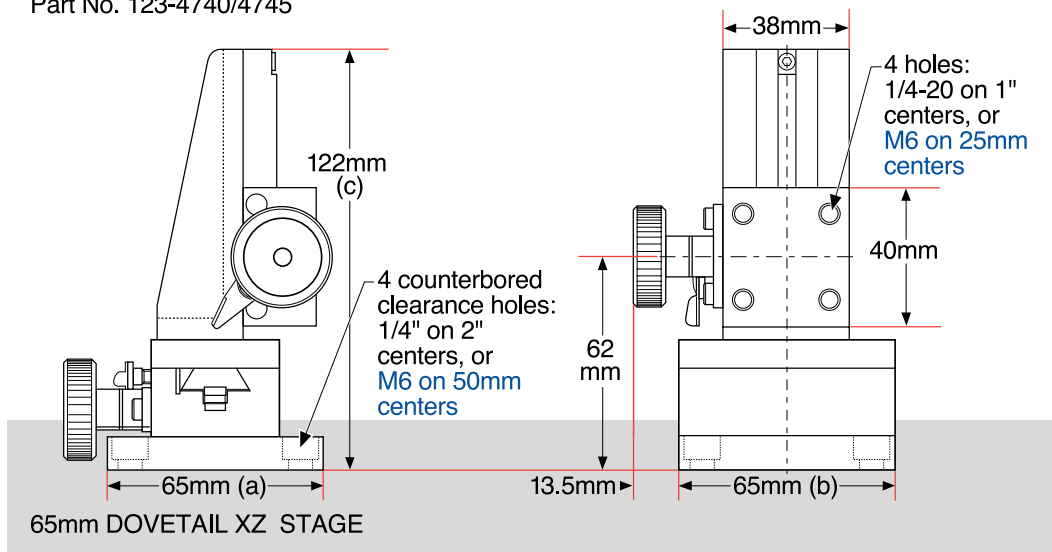
OEM Slides

Accessories

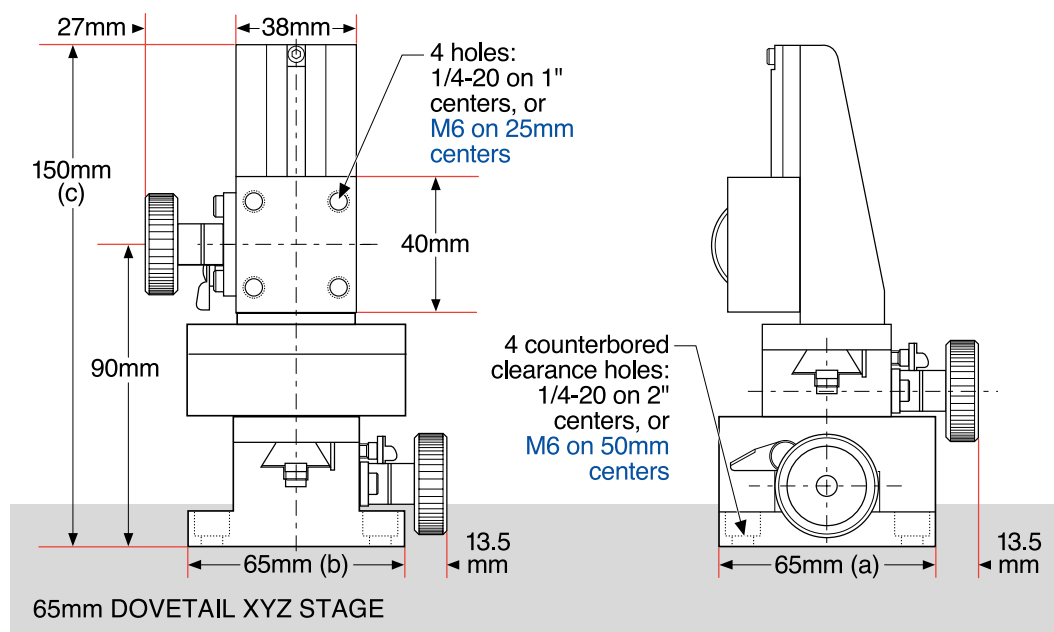
Part No. 123-4730/4735



Part No. 123-4740/4745



Part No. 123-4750/4755



ORDERING  
&  
TECHNICAL SUPPORT  
(949) 851-5881  
FAX (949) 851-5058  
E-MAIL  
sales@optosigma.com  
WEB  
www.optosigma.com

Steel Extended  
Contact Bearing Stages

Stainless Steel Extended  
Contact Bearing Stages

Aluminum Stages

Rotation Stages

Goniometers

Rack & Pinion  
Dovetail Stages

Preset Dovetail Stages

Leadscrew Slides

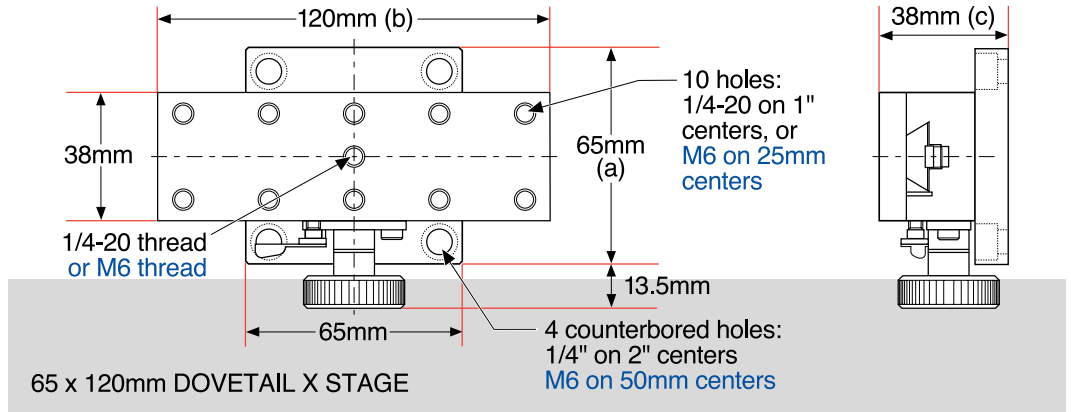
Tilt Platforms

OEM Slides

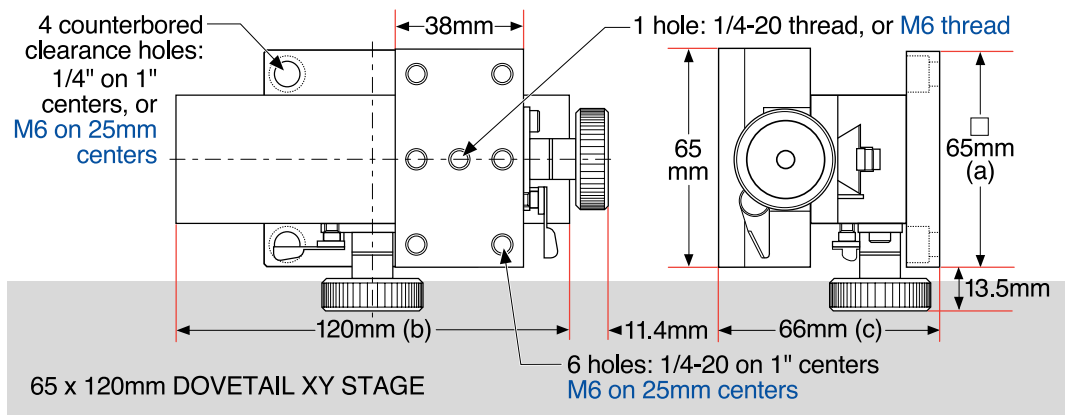
Accessories

## 65mm Rack and Pinion Stages

Part No. 123-4760/4765

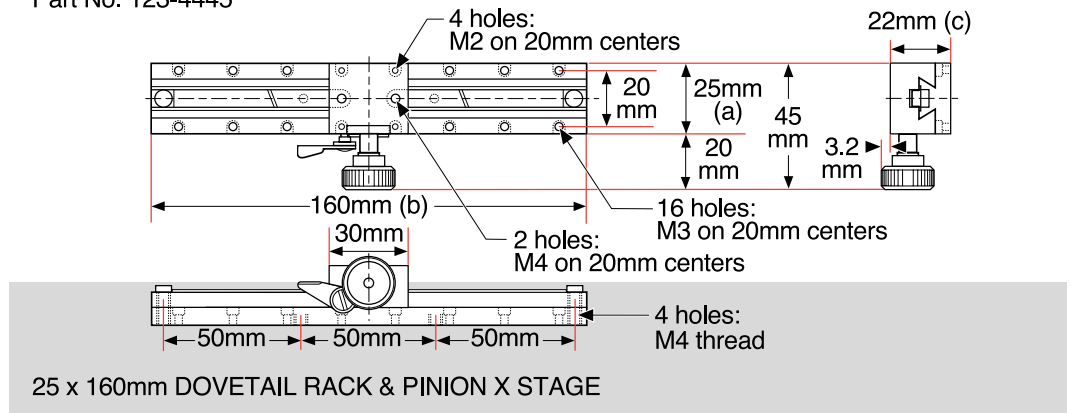


Part No. 123-4780/4785



## 25mm Rack and Pinion Stages

Part No. 123-4445



ORDERING  
&  
TECHNICAL SUPPORT

(949) 851-5881  
FAX (949) 851-5058

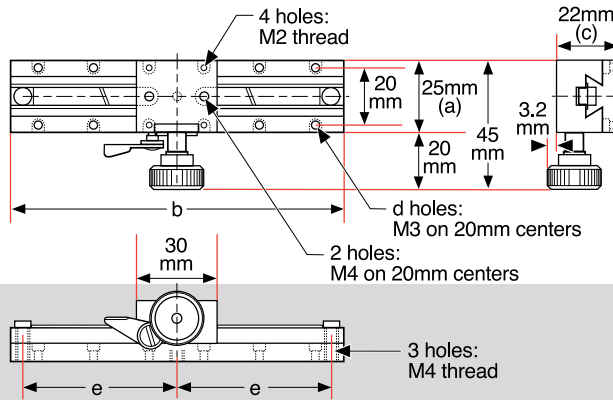
E-MAIL  
sales@optosigma.com

WEB  
www.optosigma.com



## 25mm Rack and Pinion Stages

Part No.	Dimensions (mm)			No. of Holes	Dim. e
	a	b	c		
123-4415	25	50	22	4	20
123-4425	25	80	22	8	35
123-4435	25	120	22	12	55



25mm DOVETAIL X STAGE

## Specifications & Tolerances

- Dimensions:  $\pm 0.2\text{mm}$
- Finish: Black anodized and black chrome
- Adjustment: 20mm/turn
- Sensitivity: 100 $\mu\text{m}$ , 0.1mm
- Yaw: <30arcsec
- Material: Aluminum and brass
- Pitch: <1arcmin
- Straightness: 20 $\mu\text{m}$ , 65mm stages  
30 $\mu\text{m}$ , 120mm stages  
20 $\mu\text{m}$ , 50mm stage  
30 $\mu\text{m}$ , 80mm stage  
40 $\mu\text{m}$ , 120mm stage  
50 $\mu\text{m}$ , 160mm stage

## Rack and Pinion Dovetail Stages

Dimensions, a x b (mm)	Height, c (mm)	Motion	Travel (mm)	Load Capacity (kg)	Price	INCH	METRIC
						PART NUMBER	PART NUMBER
65 x 65	38	X	30	7.5		123-4710	123-4715
65 x 65	66	XY	30x30	7.5		123-4720	123-4725
65 x 65	94	Z	45	2.5		123-4730	123-4735
65 x 65	122	XZ	30x45	2.5		123-4740	123-4745
65 x 65	150	XYZ	30x30x45	2.5		123-4750	123-4755
65 x 120	38	X	80	5.0		123-4760	123-4765
65 x 120	66	XY	80x30	5.0		123-4780	123-4785
25 x 50	22	X	20	1.5		-	123-4415
25 x 80	22	X	50	1.5		-	123-4425
25 x 120	22	X	90	1.5		-	123-4435
25 x 160	22	X	130	1.5		-	123-4445

ORDERING & TECHNICAL SUPPORT  
 (949) 851-5881  
 FAX (949) 851-5058  
 E-MAIL  
[sales@optosigma.com](mailto:sales@optosigma.com)  
 WEB  
[www.optosigma.com](http://www.optosigma.com)

