

## Steel Extended Contact Bearing Goniometer Stages

- New manufacturing process allows extended contact bearing ways to be machined into the body of the stage, making the goniometers simpler, smaller and stronger.
- Centering accuracy is 10x better than typical dovetail goniometers.
- New locking mechanism offers superior stability.
- Many sizes and rotation heights available.
- Precision centering pin included for aligning two axis stacks.

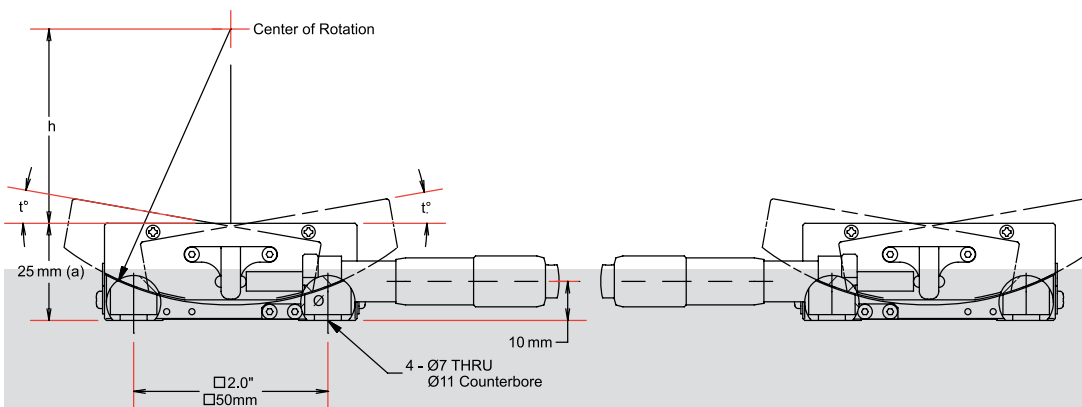
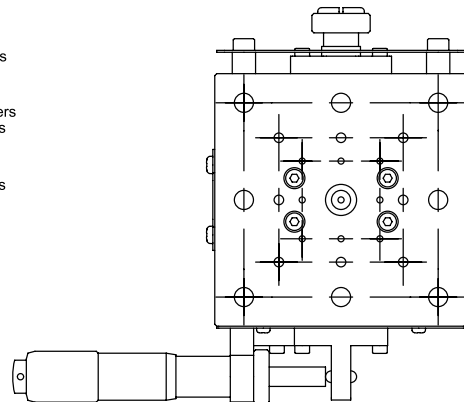
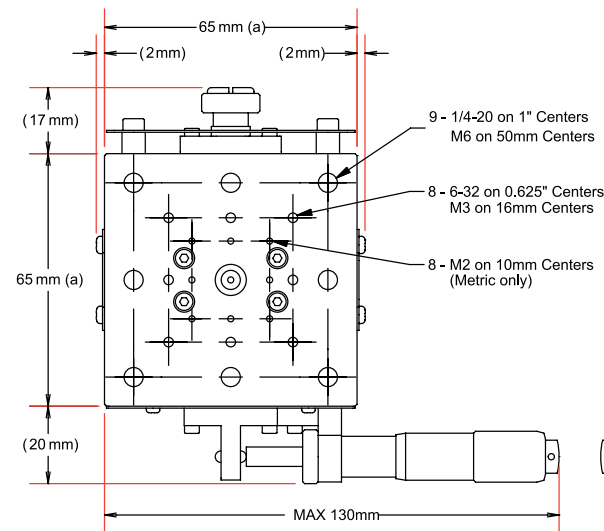


- Steel Extended Contact Bearing Stages
- Steel Extended Contact Bearing Stages
- Aluminum Stages
- Rotation Stages
- Goniometers
- Rack & Pinion Dovetail Stages
- Preset Dovetail Stages
- Leadscrew Slides
- Tilt Platforms
- OEM Slides
- Accessories

Following in the footsteps of our extended contact linear stages, this unique family of stages greatly surpasses the performance of most, apparently similar, stages. These stages are also available in other configurations including worm drive actuators, motorized configurations and vacuum compatible configurations.

Part Number:  
126-50x0 (Inch)  
126-50x5 (Metric)

Part Number:  
126-50x0-R (Inch)  
126-50x5-R (Metric)



60mm STEEL EXTENDED CONTACT BEARING GONIOMETER STAGE

ORDERING  
&  
TECHNICAL SUPPORT  
(949) 851-5881  
FAX (949) 851-5058  
E-MAIL  
sales@optosigma.com  
WEB  
www.optosigma.com

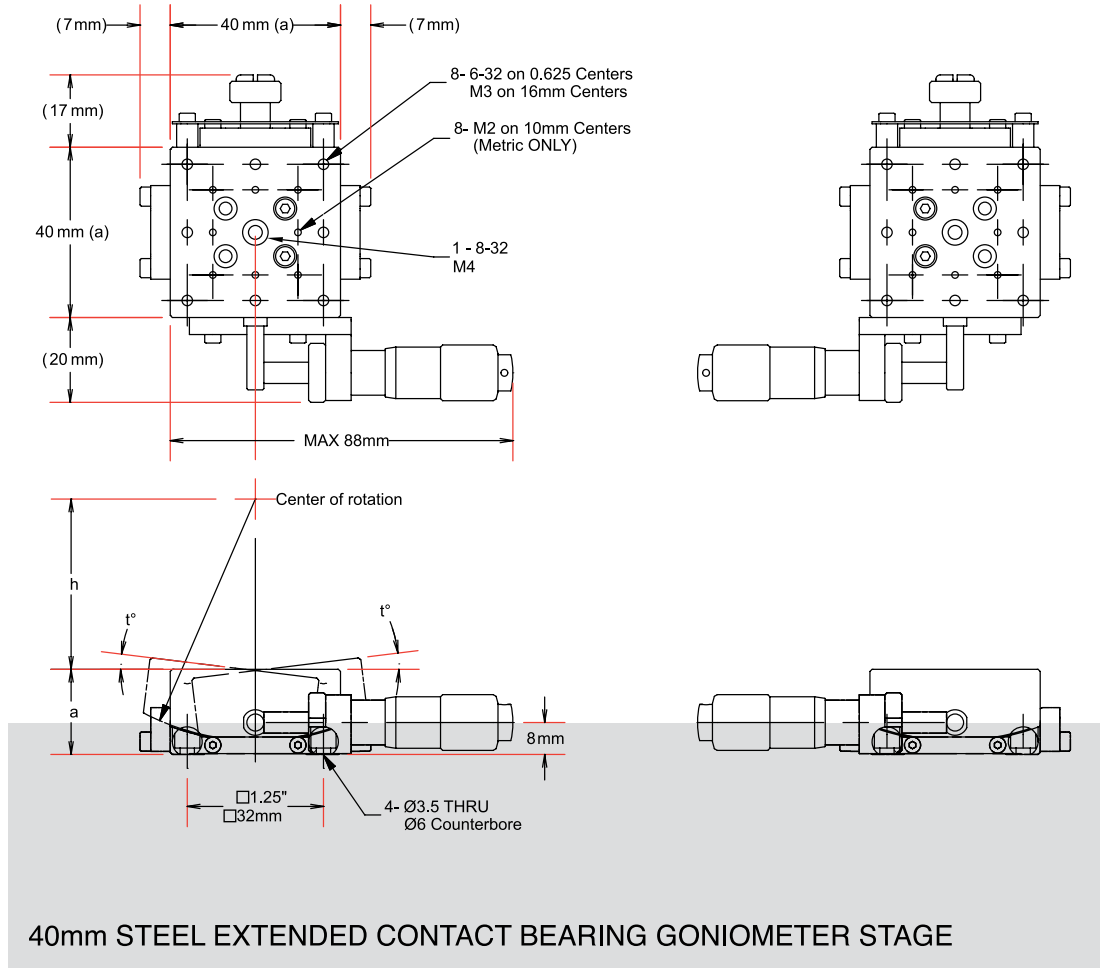


**MANUAL POSITIONERS**

- Steel Extended Contact Bearing Stages
- Stainless Steel Extended Contact Bearing Stages
- Aluminum Stages
- Rotation Stages
- Goniometers
- Rack & Pinion Dovetail Stages
- Preset Dovetail Stages
- Leadscrew Slides
- Tilt Platforms
- OEM Slides
- Accessories

Part No. 126-20x0 (Inch)  
126-20x5 (Metric)

Part No. 126-20x0-R (Inch)  
126-20x5-R (Metric)



**Specifications & Tolerances**

Dimensions: ±0.2mm      Material: 440C Stainless Steel  
 Rotation Height: ±0.1mm      Rotation center displacement <0.01mm

**Steel Extended Contact Bearing Goniometer Stages**

Side, a (mm)	Height, c (mm)	Travel, t (deg)	Center Height, h (mm)	Load Capacity (Kg) <sup>1</sup>	Resolution <sup>2</sup> (arcsec)	Finish	Price	INCH	METRIC
								PART NUMBER	PART NUMBER
40	20	±11	20	6	63.5	Black Chrome		<b>126-2010</b>	<b>126-2015</b>
40	20	±11	20	6	63.5	Black Chrome		<b>126-2010-R</b>	<b>126-2015-R</b>
40	20	±7	40	6	39.3	Black Chrome		<b>126-2020</b>	<b>126-2025</b>
40	20	±7	40	6	39.3	Black Chrome		<b>126-2020-R</b>	<b>126-2025-R</b>
40	15	±5.5	60	6	30.6	Black Chrome		<b>126-2030</b>	<b>126-2035</b>
40	15	±5.5	60	6	30.6	Black Chrome		<b>126-2030-R</b>	<b>126-2035-R</b>
40	15	±4.5	75	6	25.0	Black Chrome		<b>126-2040</b>	<b>126-2045</b>
40	15	±4.5	75	6	25.0	Black Chrome		<b>126-2040-R</b>	<b>126-2045-R</b>
65	25	±10	50	10	31.7	Black Chrome		<b>126-5010</b>	<b>126-5015</b>

**Steel Extended Contact Bearing Goniometer Stages (continued)**

**INCH**

**METRIC**

Side, a (mm)	Height, c (mm)	Travel, t (deg)	Center Height, h (mm)	Load Capacity (Kg) <sup>1</sup>	Resolution <sup>2</sup> (arcsec)	Finish	Price	PART NUMBER	PART NUMBER
65	25	±10	50	10	31.7	Black Chrome		126-5010-R	126-5015-R
65	25	±7	75	10	22.9	Black Chrome		126-5020	126-5025
65	25	±7	75	10	22.9	Black Chrome		126-5020-R	126-5025-R
65	25	±6	100	10	17.9	Black Chrome		126-5030	126-5035
65	25	±6	100	10	17.9	Black Chrome		126-5030-R	126-5035-R
For drawings of the parts listed below, please see our website.									
50	18	±6	50	8	34.6	Electroless Nickel		—	126-3025
50	18	±6	50	8	34.6	Electroless Nickel		—	126-3025-R
50	18	±4.5	68	8	26.6	Electroless Nickel		—	126-3035
50	18	±4.5	68	8	26.6	Electroless Nickel		—	126-3035-R
50	18	±4.5	86	8	20.9	Electroless Nickel		—	126-3045
50	18	±4.5	86	8	20.9	Electroless Nickel		—	126-3045-R
60	25	±4.5	60	10	27.4	Black Chrome		—	126-4025
60	25	±4.5	60	10	27.4	Black Chrome		—	126-4025-R
60	20	±3.5	85	10	21.6	Black Chrome		—	126-4035
60	20	±4.5	85	10	21.6	Black Chrome		—	126-4035-R
60	20	±3	105	10	18.4	Black Chrome		—	126-4045
60	20	±3	105	10	18.4	Black Chrome		—	126-4045-R
70	26	±8	70	12	24.1	Electroless Nickel		—	126-6025
70	26	±8	70	12	24.1	Electroless Nickel		—	126-6025-R
70	26	±6	96	12	18.7	Electroless Nickel		—	126-6035
70	26	±6	96	12	18.7	Electroless Nickel		—	126-6035-R
70	26	±2.5	122	12	15.1	Electroless Nickel		—	126-6045
70	26	±2.5	122	12	15.1	Electroless Nickel		—	126-6045-R

**NOTES:**

1. Load Capacity will be reduced for off center loads. Contact us for details.
2. Readable resolution of the standard micrometer is 10 microns. Resolution is the angular displacement corresponding to a 10 micron displacement of the micrometer.

- Steel Extended Contact Bearing Stages
- Steel Extended Contact Bearing Stages
- Aluminum Stages
- Rotation Stages
- Goniometers**
- Rack & Pinion Dovetail Stages
- Preset Dovetail Stages
- Leadscrew Slides
- Tilt Platforms
- OEM Slides
- Accessories

ORDERING  
&  
TECHNICAL SUPPORT  
(949) 851-5881  
FAX (949) 851-5058  
E-MAIL  
sales@optosigma.com  
WEB  
www.optosigma.com

