

Steel Extended
Contact Bearing Stages

Stainless Steel Extended
Contact Bearing Stages

Aluminum Stages

Rotation Stages

Goniometers

Rack & Pinion
Dovetail Stages

Preset Dovetail Stages

Leadscrew Slides

Tilt Platforms

OEM Slides

Accessories

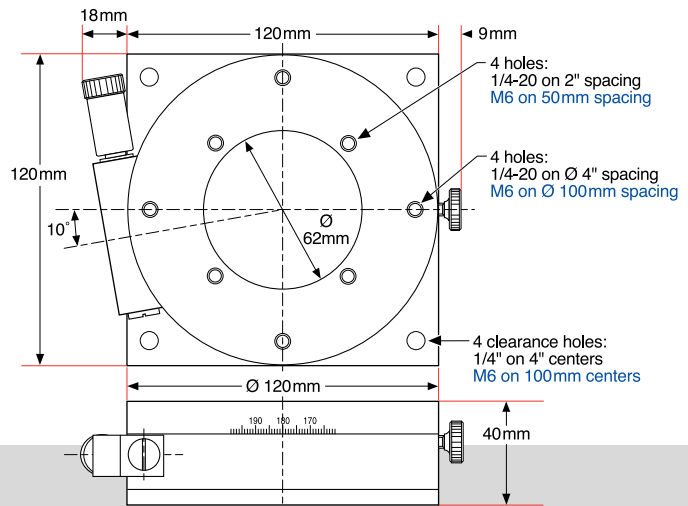
360° Continuous Rotation Stages

- Continuous 360 degree rotation
- Fine pitch worm screw driven for high precision
- Lockable
- Four convenient sizes to suit most applications



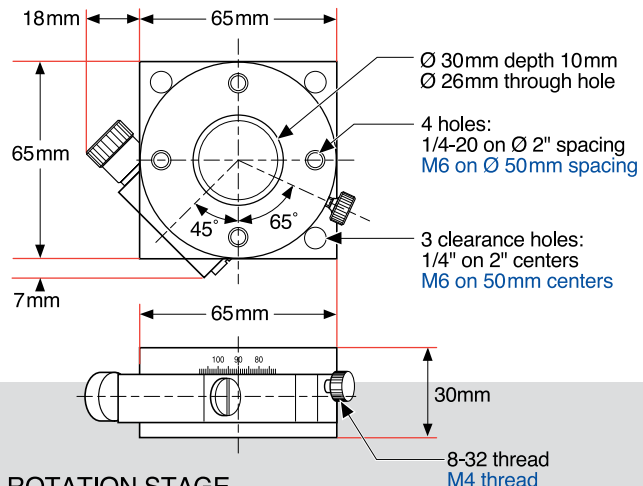
These unique rotation stages provide continuous high precision 360 degree rotation control. The precision rotary action is driven by a fine pitch screw and worm gear to provide fine positioning resolution. And a locking mechanism ensures that the stage is stable and will not move after the desired position is obtained. The continuous rotation stages are available in 120, 65, 40 and 25mm footprints. All stages have central apertures and may be mounted with an optical beam passing through its center. Each stage has hole patterns suitable for use with other OptoSigma linear and rotation stages. 120, 65 and 40mm models are available with inch or metric hole patterns. The 25mm stage is offered only with metric holes. Please refer to the CAD drawings on the following pages for specific stage sizes and hole pattern configurations.

Part No. 124-0350/0355



120mm CONTINUOUS 360° ROTATION STAGE

Part No. 124-0330/0335



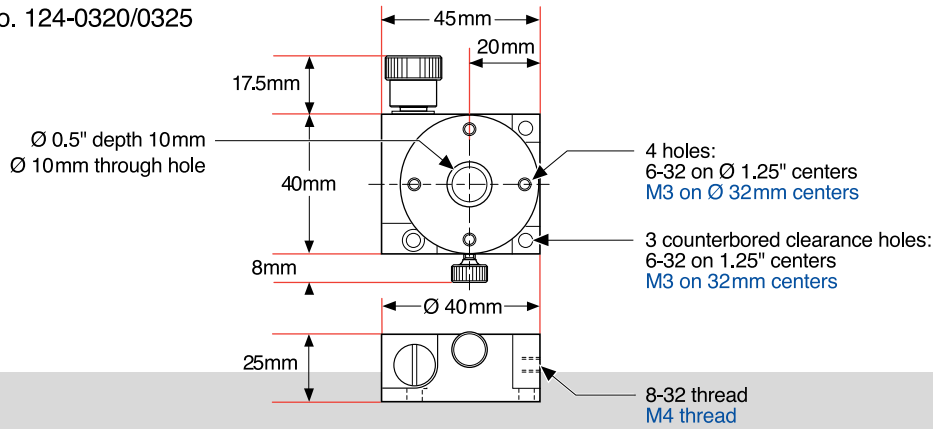
65mm CONTINUOUS 360° ROTATION STAGE

ORDERING
&
TECHNICAL SUPPORT
(949) 851-5881
FAX (949) 851-5058
E-MAIL
sales@optosigma.com
WEB
www.optosigma.com



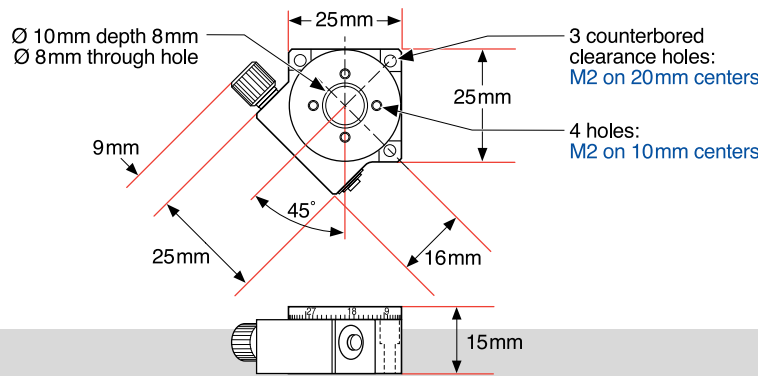
- Steel Extended Contact Bearing Stages
- Steel Extended Contact Bearing Stages
- Aluminum Stages
- Rotation Stages
- Goniometers
- Rack & Pinion Dovetail Stages
- Preset Dovetail Stages
- Leadscrew Slides
- Tilt Platforms
- OEM Slides
- Accessories

Part No. 124-0320/0325



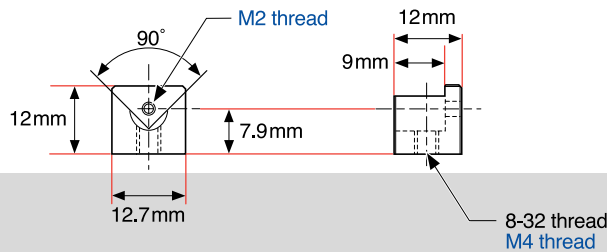
40mm CONTINUOUS 360° ROTATION STAGE

Part No. 124-0315



25mm CONTINUOUS 360° ROTATION STAGE

Part No. 124-0300/0305



25mm CONTINUOUS 360° ROTATION STAGE ADAPTER

Specifications & Tolerances

Dimensions:
 ±0.2mm
 Concentricity: <0.03
 Parallelism: <0.03
 Material: Brass
 Finish: Black Chrome

360° Continuous Rotation Stages

| Outer Diameter, d (mm) | Dimensions, a x b (mm) | Height, c (mm) | To hold, Diameter, D (mm) | Minimum Incremental Motion | Price | INCH | METRIC |
|------------------------|------------------------|----------------|---------------------------|----------------------------|-------|-------------|-------------|
| | | | | | | PART NUMBER | PART NUMBER |
| 120 | 120 x 120 | 40 | - | 5' | | 124-0350 | 124-0355 |
| 65 | 65 x 65 | 30 | 30.0 | 10' | | 124-0330 | 124-0335 |
| 40 | 40 x 40 | 25 | 12.7 | 2(deg) | | 124-0320 | 124-0325 |
| 25 | 25 x 25 | 15 | 10.0 | 5(deg) | | - | 124-0315 |
| Adapter | 12.7 x 2 | 12 | - | - | | 124-0300 | 124-0305 |

ORDERING
 &
 TECHNICAL SUPPORT
 (949) 851-5881
 FAX (949) 851-5058
 E-MAIL
 sales@optosigma.com
 WEB
 www.optosigma.com

