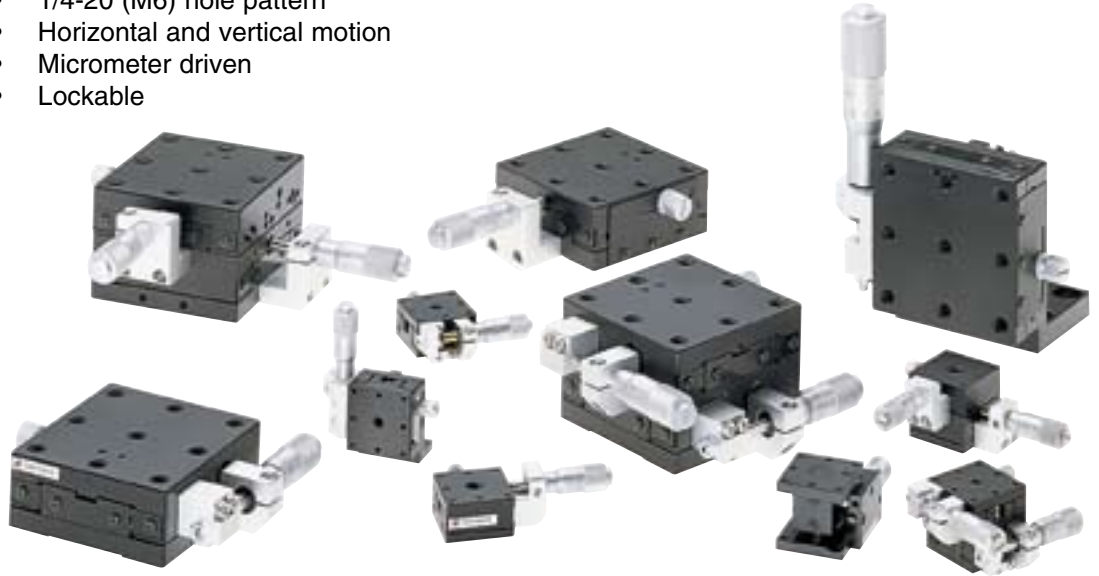


## Aluminum Linear Ball Bearing Stages

- Lightweight
- Precision ball bearings
- Straightness of travel <3microns
- 65 and 25mm footprint
- 1/4-20 (M6) hole pattern
- Horizontal and vertical motion
- Micrometer driven
- Lockable

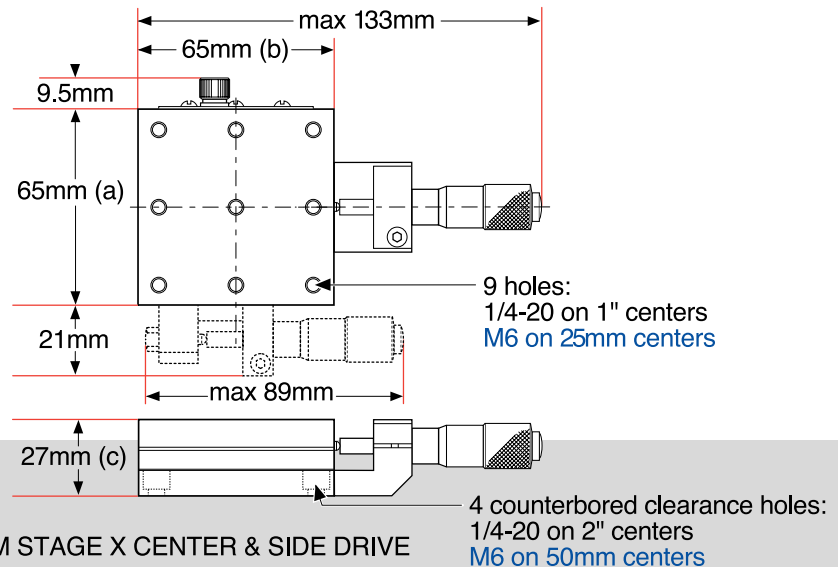


Aluminum stages are best used when weight must be minimized and the stability of steel is not needed. In order to maintain the required accuracy ball bearings are factory pre-loaded by four equally spaced stainless steel rods that are machined into the aluminum stage to ensure precision and load capacity.

Two sizes are offered. The 65mm size is suitable for most laboratory applications having a two inch square 1/4-20 hole pattern for mounting to industry standard bases. The 25mm size is compatible with the mini-system previously described (page 272). It has a metric (M2) hole pattern on 10mm centers and provides 6mm of travel.

### 65mm Aluminum Ball Bearing Stages

Part No. 123-0210/0215/0220/0225



ORDERING  
&  
TECHNICAL SUPPORT

(949) 851-5881  
FAX (949) 851-5058

E-MAIL  
sales@optosigma.com

WEB  
www.optosigma.com

# 65mm Aluminum Ball Bearing Stages

Steel Extended Contact Bearing Stages

Steel Extended Contact Bearing Stages

Aluminum Stages

Rotation Stages

Goniometers

Rack & Pinion Dovetail Stages

Preset Dovetail Stages

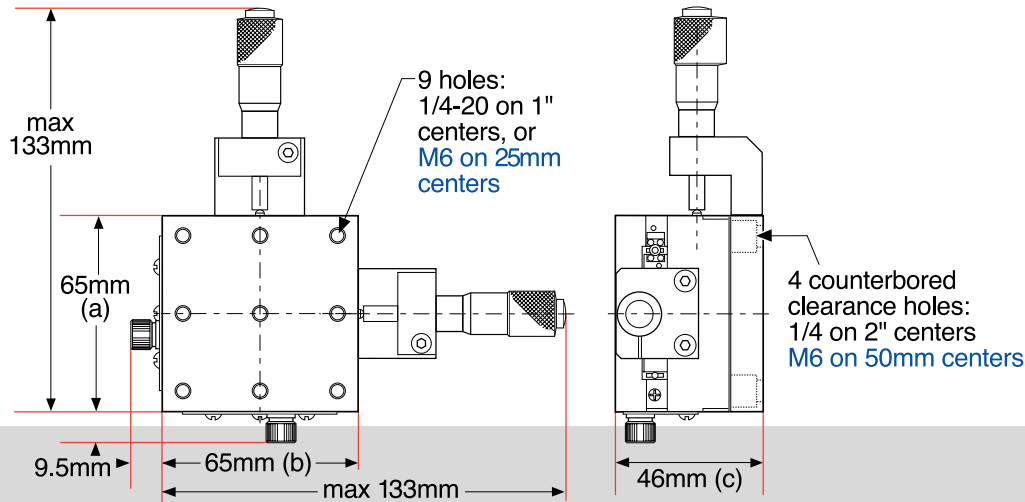
Leadscrew Slides

Tilt Platforms

OEM Slides

Accessories

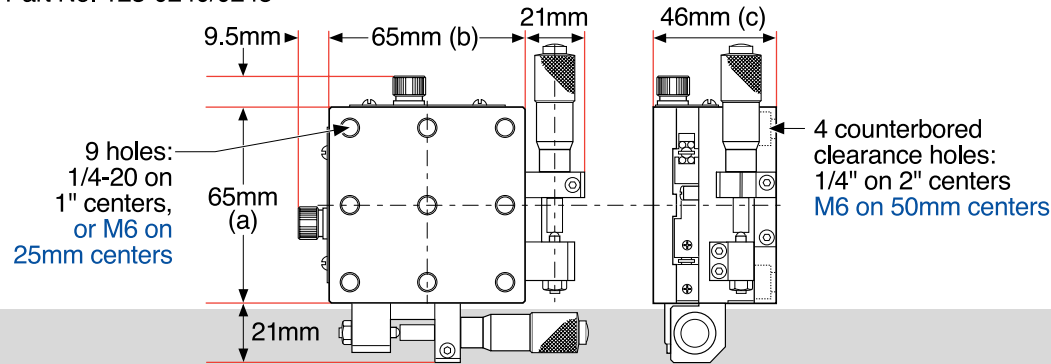
Part No. 123-0230/0235



65mm ALUMINUM STAGE XY CENTER DRIVE

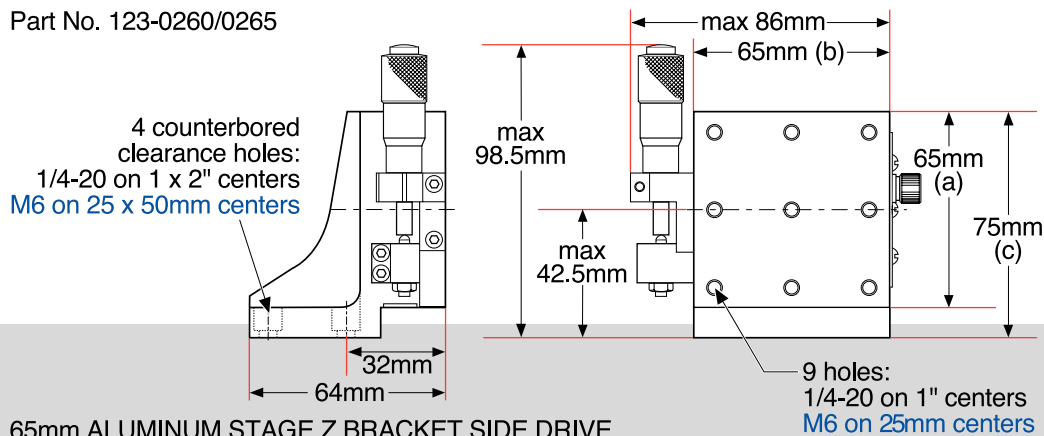
Right angle brackets are extremely useful for bolting multiple stages together. Please turn to page 379 for our complete angle bracket selection.

Part No. 123-0240/0245



65mm ALUMINUM STAGE XY SIDE MOUNT

Part No. 123-0260/0265



65mm ALUMINUM STAGE Z BRACKET SIDE DRIVE

ORDERING & TECHNICAL SUPPORT  
 (949) 851-5881  
 FAX (949) 851-5058  
 E-MAIL sales@optosigma.com  
 WEB www.optosigma.com



**MANUAL POSITIONERS**

Steel Extended  
Contact Bearing Stages

Stainless Steel Extended  
Contact Bearing Stages

**Aluminum Stages**

Rotation Stages

Goniometers

Rack & Pinion  
Dovetail Stages

Preset Dovetail Stages

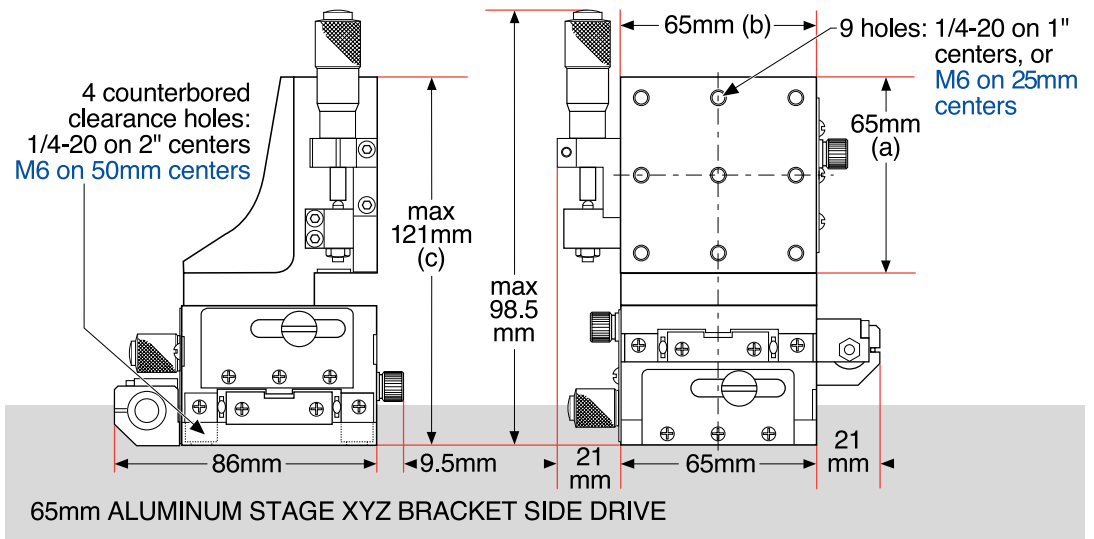
Leadscrew Slides

Tilt Platforms

OEM Slides

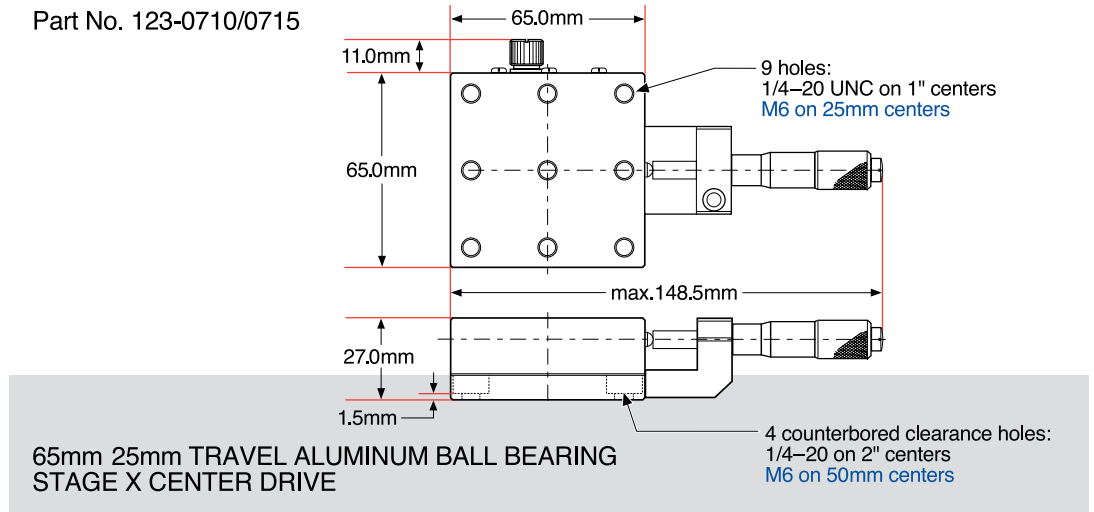
Accessories

Part No. 123-1170/1175

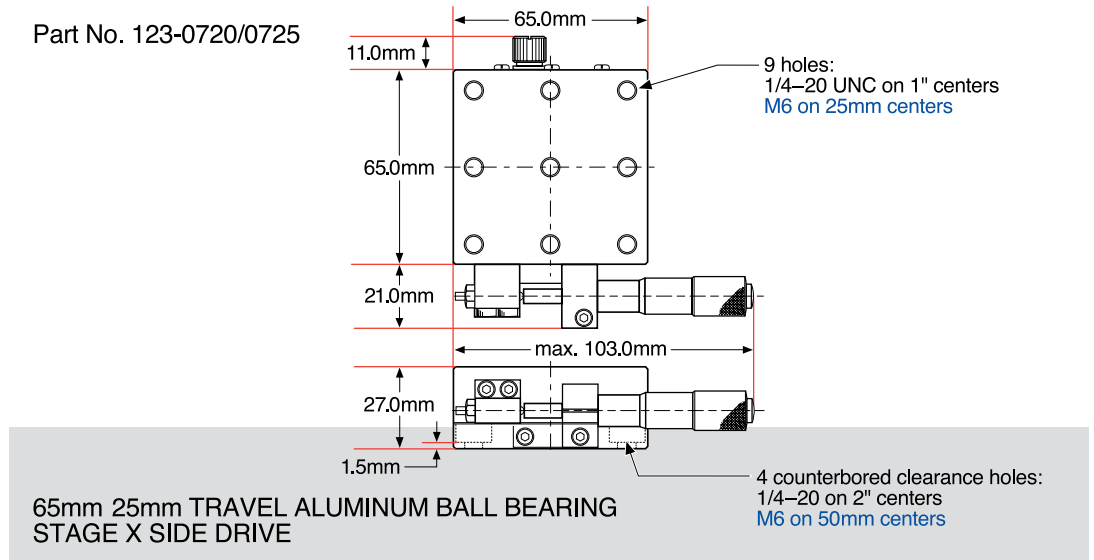


Right angle brackets are extremely useful for bolting multiple stages together. Please turn to page 436 for our complete angle bracket selection.

Part No. 123-0710/0715



Part No. 123-0720/0725



ORDERING  
&  
TECHNICAL SUPPORT  
(949) 851-5881  
FAX (949) 851-5058  
E-MAIL  
sales@optosigma.com  
WEB  
www.optosigma.com



Steel Extended  
Contact Bearing Stages

Steel Extended  
Contact Bearing Stages

Aluminum Stages

Rotation Stages

Goniometers

Rack & Pinion  
Dovetail Stages

Preset Dovetail Stages

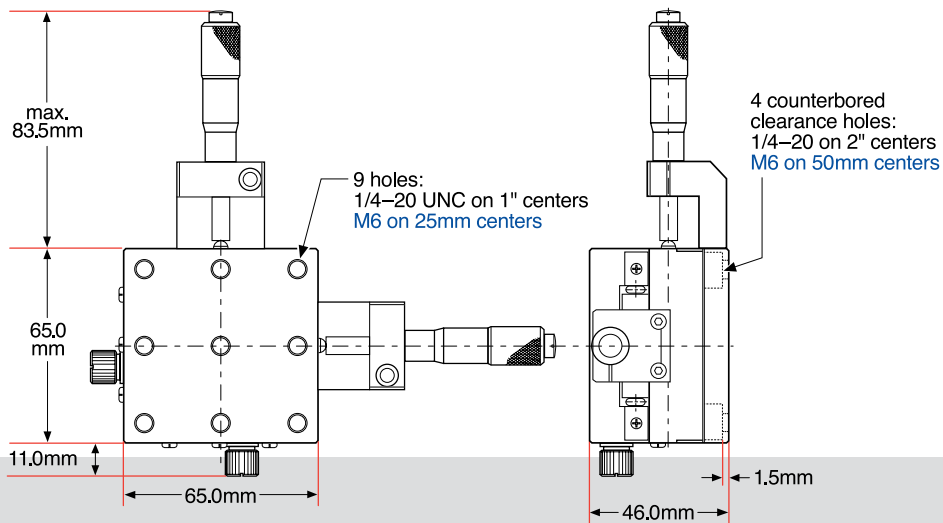
Leadscrew Slides

Tilt Platforms

OEM Slides

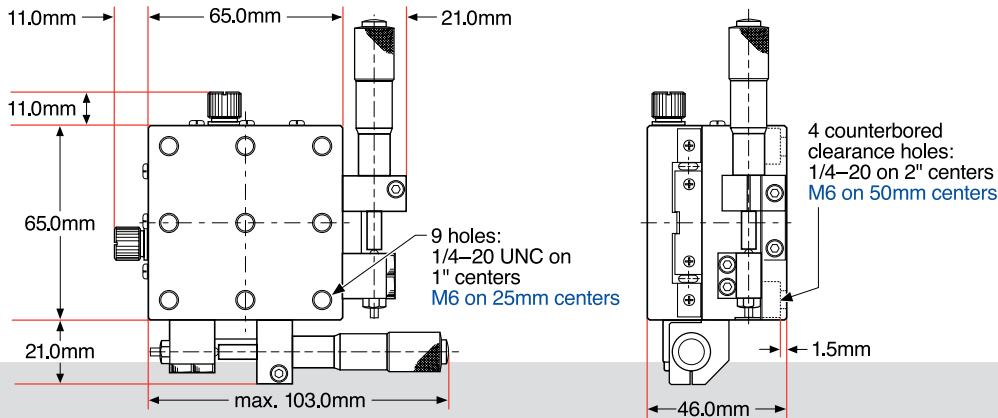
Accessories

Part No. 123-0730/0735



65mm 25mm TRAVEL ALUMINUM BALL BEARING  
STAGE XY CENTER DRIVE

Part No. 123-0740/0745



65mm 25mm TRAVEL ALUMINUM BALL BEARING  
STAGE XY SIDE DRIVE

ORDERING  
&  
TECHNICAL SUPPORT  
(949) 851-5881  
FAX (949) 851-5058  
E-MAIL  
sales@optosigma.com  
WEB  
www.optosigma.com



**MANUAL POSITIONERS**

Steel Extended  
Contact Bearing Stages

Stainless Steel Extended  
Contact Bearing Stages

**Aluminum Stages**

Rotation Stages

Goniometers

Rack & Pinion  
Dovetail Stages

Preset Dovetail Stages

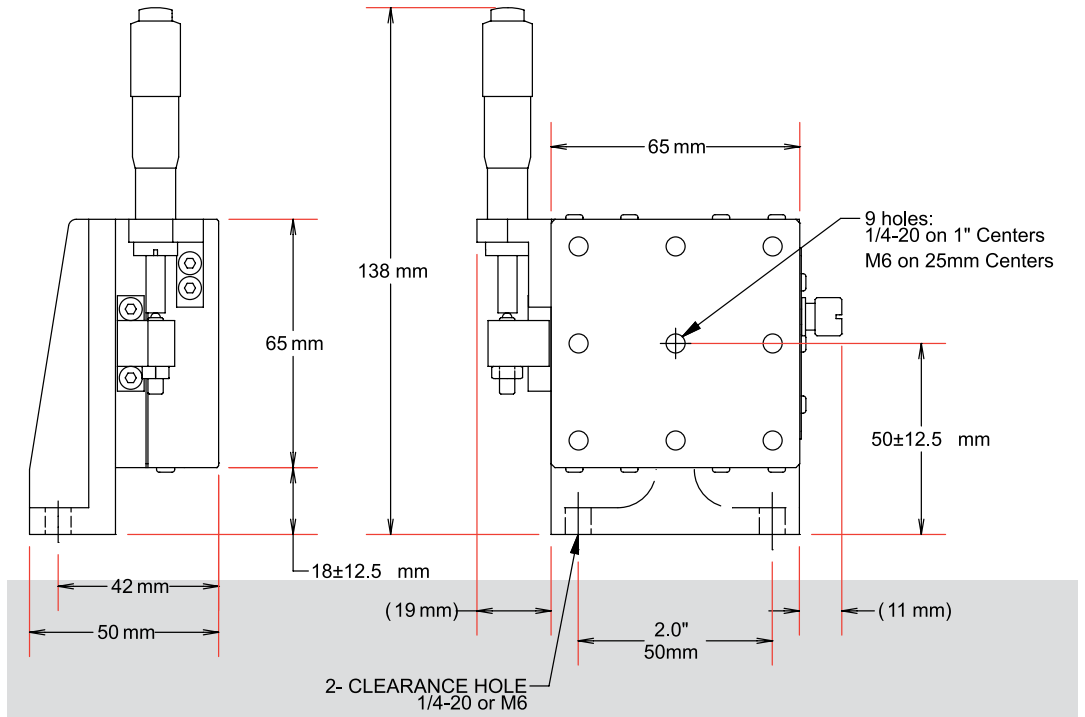
Leadscrew Slides

Tilt Platforms

OEM Slides

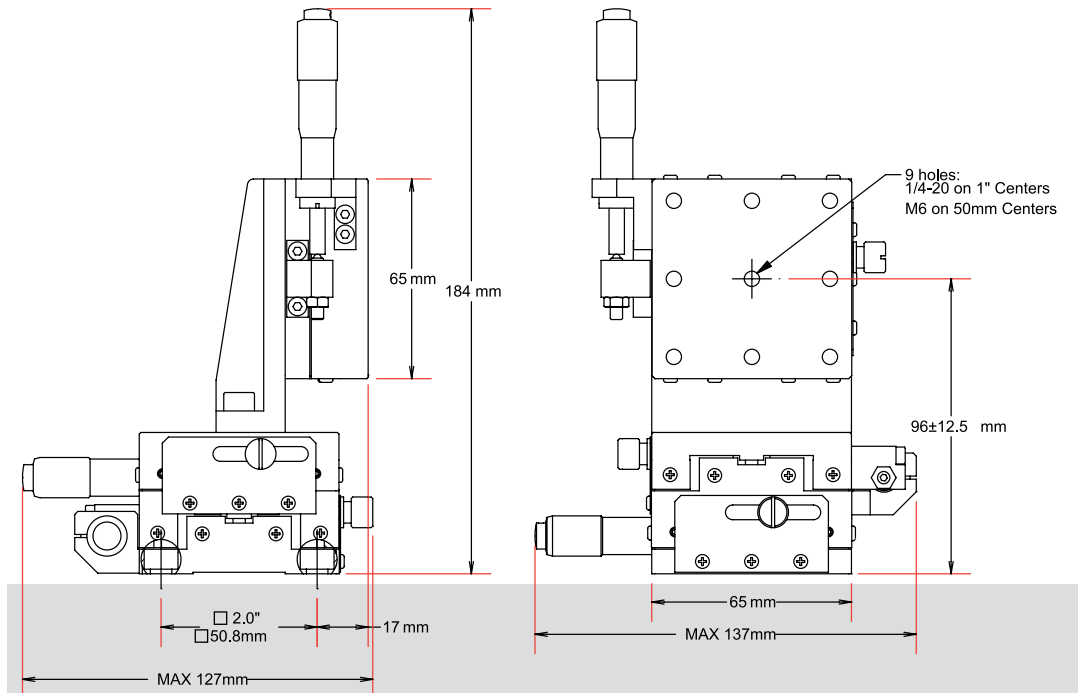
Accessories

**Part No. 123-0760/0765**



**65mm 25mm TRAVEL ALUMINUM BALL BEARING STAGE Z BRACKET**

**Part No. 123-0780/0785**



**65mm 25mm TRAVEL ALUMINUM BALL BEARING STAGE XYZ SIDE DRIVE**

ORDERING  
&  
TECHNICAL SUPPORT  
(949) 851-5881  
FAX (949) 851-5058  
E-MAIL  
sales@optosigma.com  
WEB  
www.optosigma.com



Steel Extended  
Contact Bearing Stages

Steel Extended  
Contact Bearing Stages

Aluminum Stages

Rotation Stages

Goniometers

Rack & Pinion  
Dovetail Stages

Preset Dovetail Stages

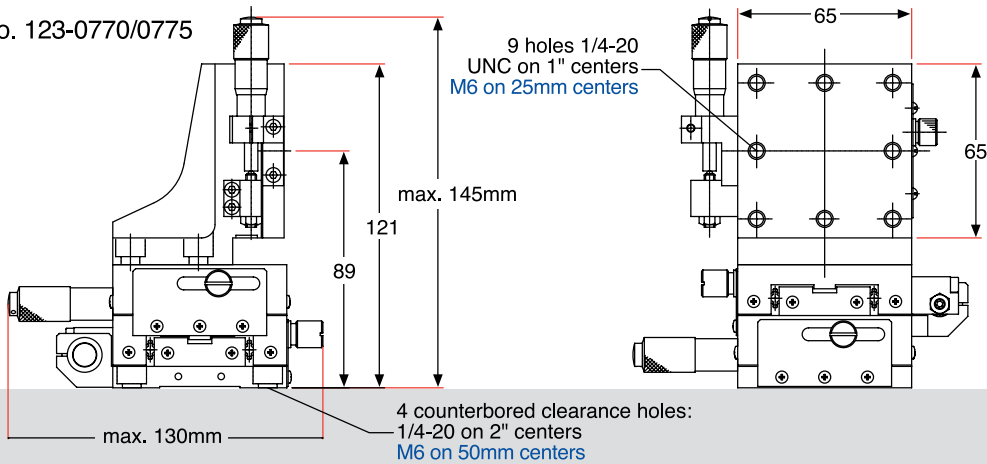
Leadscrew Slides

Tilt Platforms

OEM Slides

Accessories

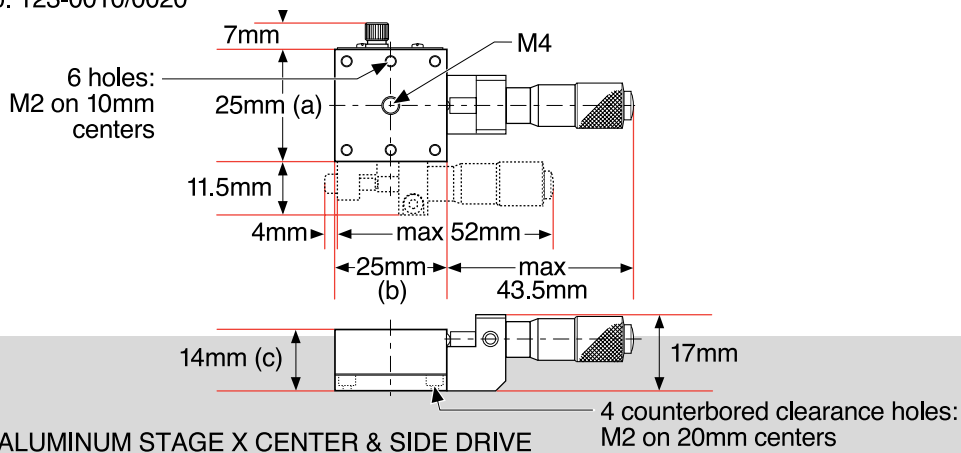
Part No. 123-0770/0775



65mm 25mm TRAVEL ALUMINUM BALL BEARING  
STAGE XYZ SIDE DRIVE

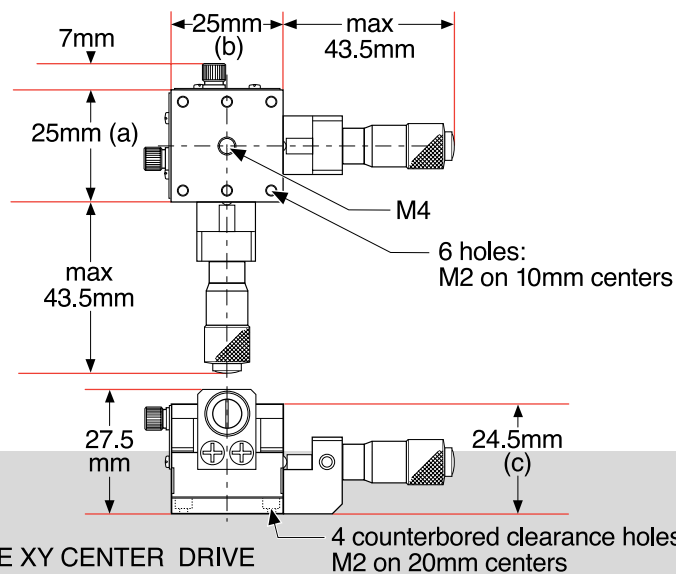
### 25mm Aluminum Ball Bearing Stages

Part No. 123-0010/0020



25mm ALUMINUM STAGE X CENTER & SIDE DRIVE

Part No. 123-0030



25mm ALUMINUM STAGE XY CENTER DRIVE

ORDERING  
&  
TECHNICAL SUPPORT  
(949) 851-5881  
FAX (949) 851-5058  
E-MAIL  
sales@optosigma.com  
WEB  
www.optosigma.com



Steel Extended  
Contact Bearing Stages

Stainless Steel Extended  
Contact Bearing Stages

Aluminum Stages

Rotation Stages

Goniometers

Rack & Pinion  
Dovetail Stages

Preset Dovetail Stages

Leadscrew Slides

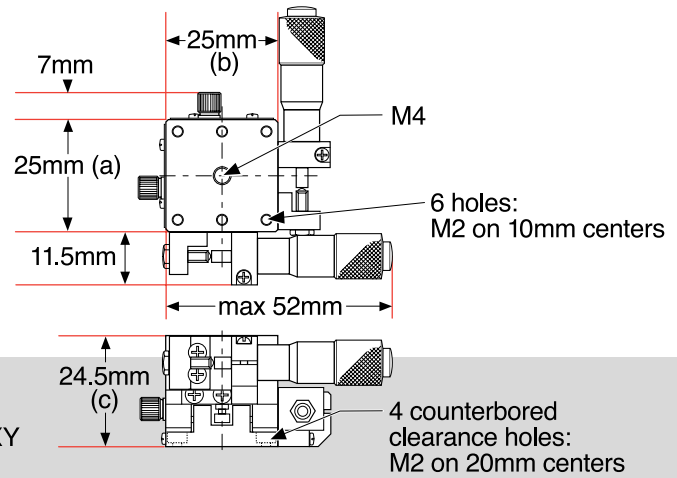
Tilt Platforms

OEM Slides

Accessories

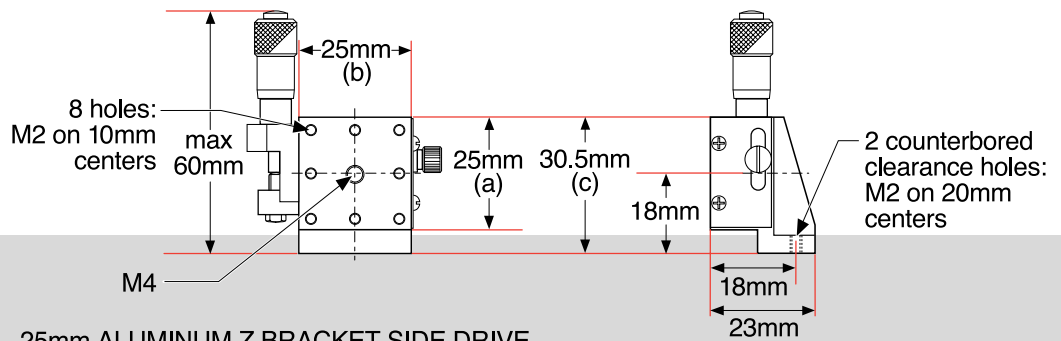
## 25mm Aluminum Ball Bearing Stages

Part No. 123-0040



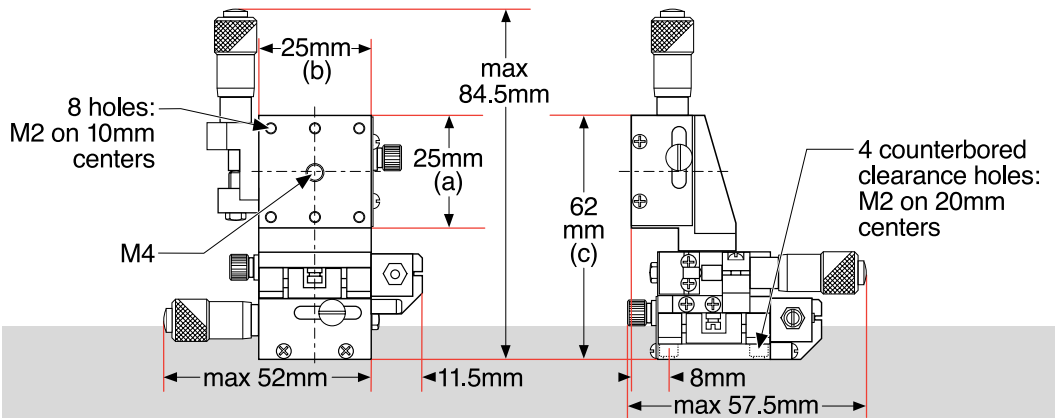
25mm ALUMINUM STAGE XY  
SIDE MOUNT

Part No. 123-1160



25mm ALUMINUM Z BRACKET SIDE DRIVE

Part No. 123-0042



25mm ALUMINUM XYZ STAGE SIDE MOUNT

ORDERING  
&  
TECHNICAL SUPPORT

(949) 851-5881

FAX (949) 851-5058

E-MAIL

sales@optosigma.com

WEB

www.optosigma.com

## Specifications & Tolerances

Dimensions:  $\pm 0.2\text{mm}$       Straightness:  $3\mu\text{m}$   
 Pitch:  $<25\text{arcsec}$       Yaw:  $<15\text{arcsec}$   
 Micrometer sensitivity:  $10\mu\text{m}$       Material: Aluminum  
 Minimum increment:  $3\mu\text{m}$       Finish: Black anodized

Steel Extended  
Contact Bearing Stages

Steel Extended  
Contact Bearing Stages

Aluminum Stages

Rotation Stages

Goniometers

Rack & Pinion  
Dovetail Stages

Preset Dovetail Stages

Leadscrew Slides

Tilt Platforms

OEM Slides

Accessories

## Aluminum Linear Ball Bearing Stages

Dimensions a x b (mm)	Height (mm)	Axes of Travel	Load Capacity (kg)	Travel, x (mm)	Micrometer Position	Price	INCH	METRIC
							PART NUMBER	PART NUMBER
65 x 65	27.0	X	5	$\pm 6.5$	Center		123-0210	123-0215
65 x 65	27.0	X	5	$\pm 6.5$	Side		123-0220	123-0225
65 x 65	46.0	XY	5	$\pm 6.5$	Center		123-0230	123-0235
65 x 65	46.0	XY	5	$\pm 6.5$	Side		123-0240	123-0245
65 x 65	75.0	Z	2	$\pm 6.5$	Bracket Side		123-0260	123-0265
65 x 65	121.0	XYZ	2	$\pm 6.5$	Side		123-1170	123-1175
65 x 65	27.0	X	5	$\pm 12.5$	Center		123-0710	123-0715
65 x 65	27.0	X	5	$\pm 12.5$	Side		123-0720	123-0725
65 x 65	46.0	XY	5	$\pm 12.5$	Center		123-0730	123-0735
65 x 65	46.0	XY	5	$\pm 12.5$	Side		123-0740	123-0745
65 x 65	75.0	Z	2	$\pm 12.5$	Bracket Side		123-0760	123-0765
65 x 65	128.5	XYZ	2	$\pm 12.5$	Side		123-0780	123-0785
40 x 40	19.0	X	3	$\pm 6.5$	Center		-	123-0815
40 x 40	19.0	X	3	$\pm 6.5$	Side		-	123-0825
25 x 25	14.0	X	0.5	$\pm 3$	Center		-	123-0010
25 x 25	14.0	X	0.5	$\pm 3$	Side		-	123-0020
25 x 25	24.5	XY	0.5	$\pm 3$	Center		-	123-0030
25 x 25	24.5	XY	0.5	$\pm 3$	Side		-	123-0040
25 x 25	37.5	Z	0.5	$\pm 3$	Bracket Side		-	123-1160
25 x 25	62.0	XYZ	0.5	$\pm 3$	Center		-	123-0041
25 x 25	62.0	XYZ	0.5	$\pm 3$	Side		-	123-0042

Side micrometers are normally mounted on the left hand side of the stage.  
 For **right hand** mounted micrometers **append -R**.



ORDERING  
&  
TECHNICAL SUPPORT  
 (949) 851-5881  
 FAX (949) 851-5058  
 E-MAIL  
[sales@optosigma.com](mailto:sales@optosigma.com)  
 WEB  
[www.optosigma.com](http://www.optosigma.com)



For all opto-mechanical products we can provide detailed CAD drawings by Fax or E-mail upon request.