

Steel Extended Contact Bearing Stages

Steel Extended Contact Bearing Stages

Aluminum Stages

Rotation Stages

Goniometers

Rack & Pinion Dovetail Stages

Preset Dovetail Stages

Leadscrew Slides

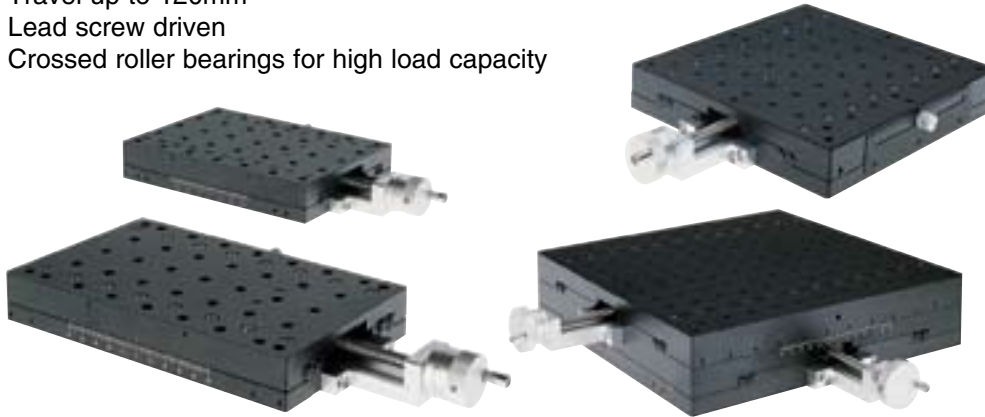
Tilt Platforms

OEM Slides

Accessories

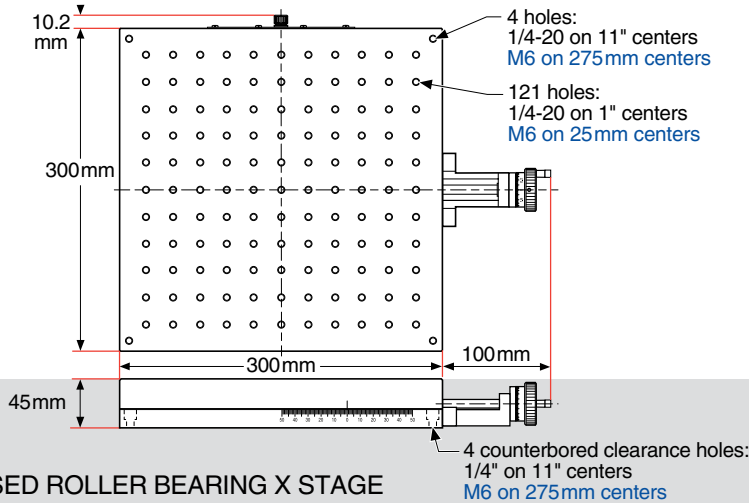
Long Travel Crossed Roller Bearing Stages

- Travel up to 120mm
- Lead screw driven
- Crossed roller bearings for high load capacity

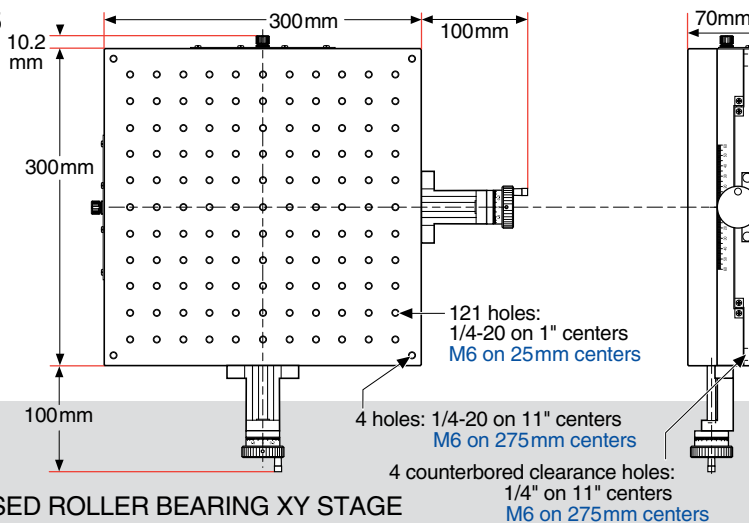


For applications that require long manual travel, these lead screw driven stages are the solution. They are constructed from aluminum using crossed roller bearings to provide high load capacity. Each stage is driven through use of a hand crank attached directly to the lead screw. These long travel stages are available as 200mm and 300mm footprints in X and XY configurations. The 200mm version has 100mm of travel and the 300mm footprint has 120mm of travel. All stages have convenient 1/4-20 tapped holes on inch centers or M6 tapped holes on 25mm centers for metric versions.

Part No. 123-0540/0545



Part No. 123-0550/0555



ORDERING
&
TECHNICAL SUPPORT
(949) 851-5881
FAX (949) 851-5058
E-MAIL
sales@optosigma.com
WEB
www.optosigma.com



MANUAL POSITIONERS

Steel Extended
Contact Bearing Stages

Stainless Steel Extended
Contact Bearing Stages

Aluminum Stages

Rotation Stages

Goniometers

Rack & Pinion
Dovetail Stages

Preset Dovetail Stages

Leadscrew Slides

Tilt Platforms

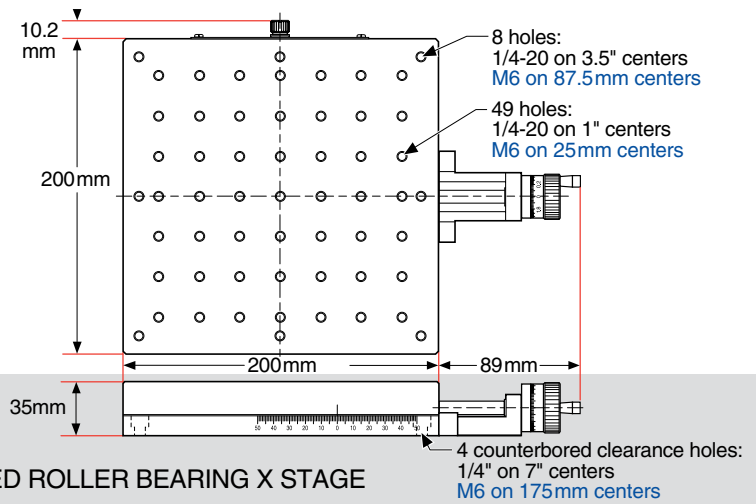
OEM Slides

Accessories

Specifications & Tolerances

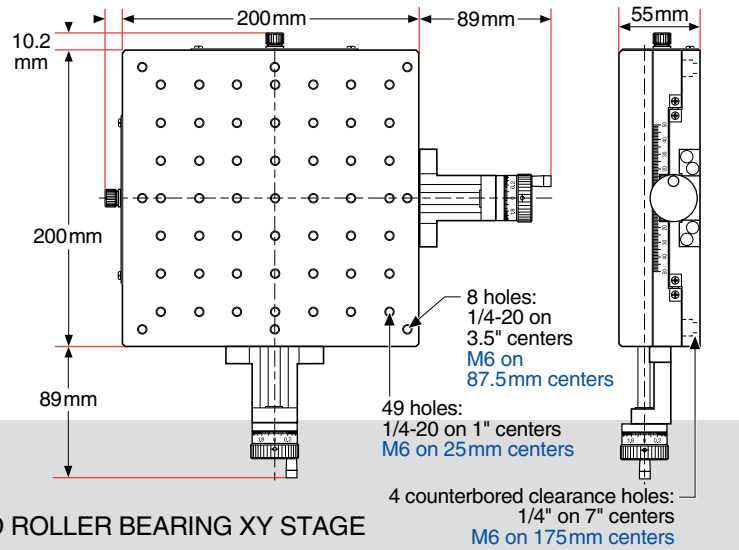
Dimensions:
±0.2mm
Straightness: 0.007
Pitch: <25arcsec
Yaw: <15arcsec
Sensitivity: 20µm
Material: Aluminum
Position resolution:
10µm
Finish:
Black anodized

Part No. 123-0520/0525



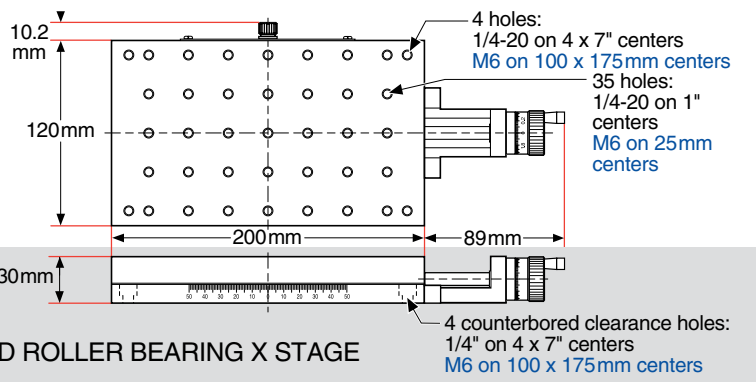
200mm LARGE CROSSED ROLLER BEARING X STAGE

Part No. 123-0530/0535



200mm LARGE CROSSED ROLLER BEARING XY STAGE

Part No. 123-0510/0515



120mm LARGE CROSSED ROLLER BEARING X STAGE

ORDERING
&
TECHNICAL SUPPORT
(949) 851-5881
FAX (949) 851-5058
E-MAIL
sales@optosigma.com
WEB
www.optosigma.com

**Long Travel Aluminum
Crossed Roller Bearing Stages**

Dimensions, a x b, (mm)	Height (mm)	Axes of Travel	Travel (mm)	Load Capacity (kg)	Price	INCH	METRIC
						PART NUMBER	PART NUMBER
300 x 300	45	X	120	40		123-0540	123-0545
300 x 300	70	XY	120	40		123-0550	123-0555
200 x 200	35	X	100	30		123-0520	123-0525
200 x 200	55	XY	100	30		123-0530	123-0535
120 x 200	30	X	100	20		123-0510	123-0515

