

Stainless Steel Extended Contact Bearing Linear Stages

- Patented extended contact bearings provide high load capacity
- High strength and low thermal expansion for unparalleled stability
- Straightness of travel <3microns
- Wide range of footprints
- The ultimate translation stage
- Vacuum compatible grease standard
- Lockable



These stages are normally supplied with manual micrometer drives but they can be provided with alternate manual drives, motorized drives or without any drives for OEM use.

When nothing but the best will do, these stages are the ones you need. Made from hardened stainless steel, they are extremely strong and durable. Our patented precision extended contact ball bearing ways provide the highest possible load capacity and resist damage due to impact or wear. Due to the low thermal expansion of stainless steel, they do not wander and are extremely stable during moderate temperature excursions. X, XY and Z stages are offered. Z motion stages are of the pivot type which provide an unobstructed elevation platform. For vacuum applications the use of stainless steel is recommended as it is less likely to outgas than other materials. These vacuum compatible stages have no blind holes, no surface finish and a non-silicone high vacuum lubricant is used in the assembly process.

Three sizes cover most requirements. The footprint sizes are 65, 40 and 25mm each with convenient industry standard mounting holes. All of these stages are designed to be compact in order to fit into the smallest possible space. Metric screws are used throughout and the mounting patterns are optimized to the space available.

Steel Extended
Contact Bearing Stages

Stainless Steel Extended
Contact Bearing Stages

Aluminum Stages

Rotation Stages

Goniometers

Rack & Pinion
Dovetail Stages

Preset Dovetail Stages

Leadscrew Slides

Tilt Platforms

OEM Slides

Accessories

ORDERING
&
TECHNICAL SUPPORT
(949) 851-5881
FAX (949) 851-5058
E-MAIL
sales@optosigma.com
WEB
www.optosigma.com

Steel Extended
Contact Bearing

Stainless Steel Extended
Contact Bearing Stages

Aluminum Stages

Rotation Stages

Goniometers

Rack & Pinion
Dovetail Stages

Preset Dovetail Stages

Leadscrew Slides

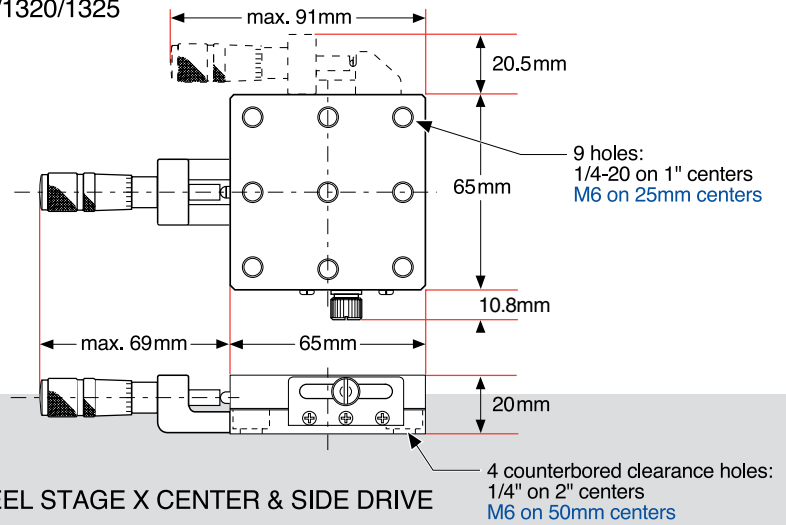
Tilt Platforms

OEM Slides

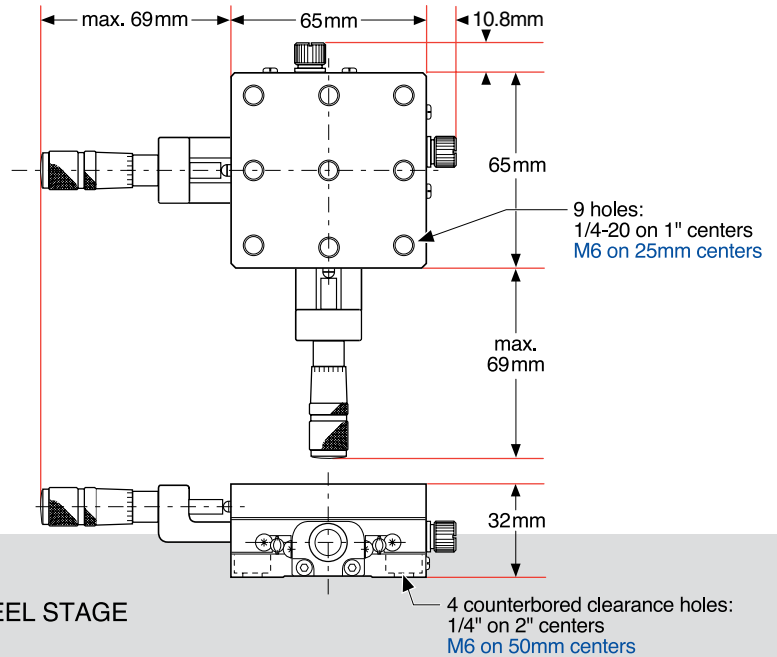
Accessories

65mm Stainless Steel Linear Stages

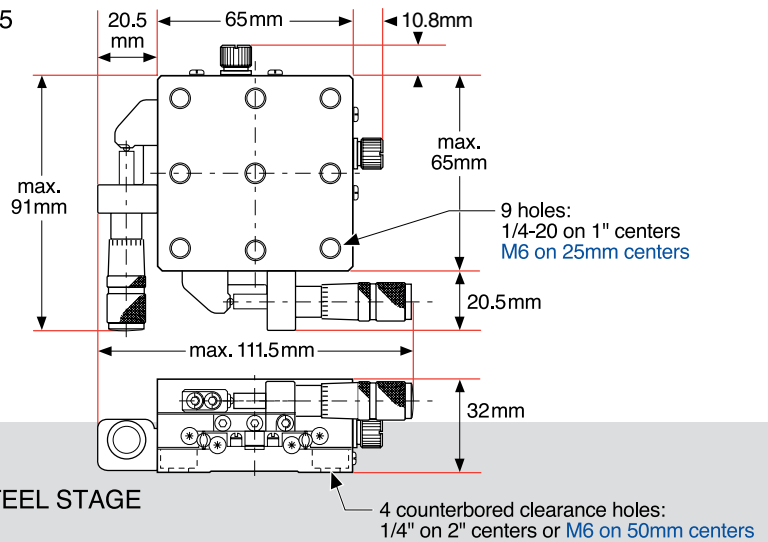
Part No. 122-1310/1315/1320/1325



Part No. 122-1330/1335



Part No. 122-1340/1345



ORDERING
&
TECHNICAL SUPPORT

(949) 851-5881
FAX (949) 851-5058

E-MAIL
sales@optosigma.com

WEB
www.optosigma.com

65mm Stainless Steel Linear Stages

Steel Extended
Contact Bearing Stages

**Stainless Steel Extended
Contact Bearing Stages**

Aluminum Stages

Rotation Stages

Goniometers

Rack & Pinion
Dovetail Stages

Preset Dovetail Stages

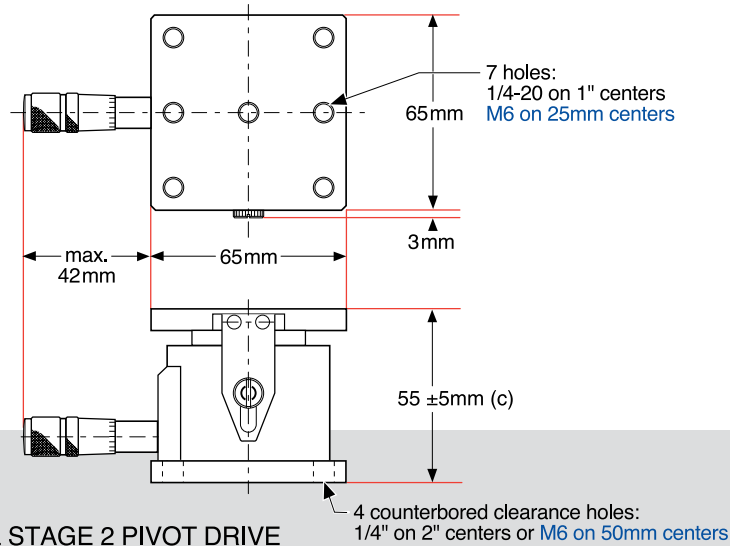
Leadscrew Slides

Tilt Platforms

OEM Slides

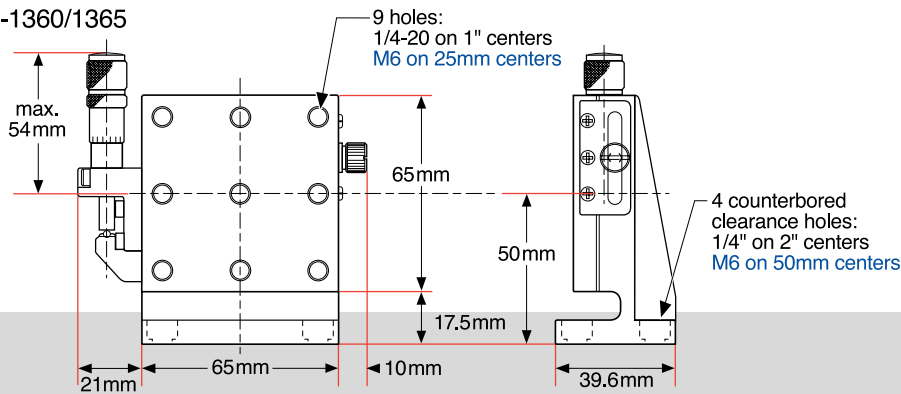
Accessories

Part No. 122-1350/1355



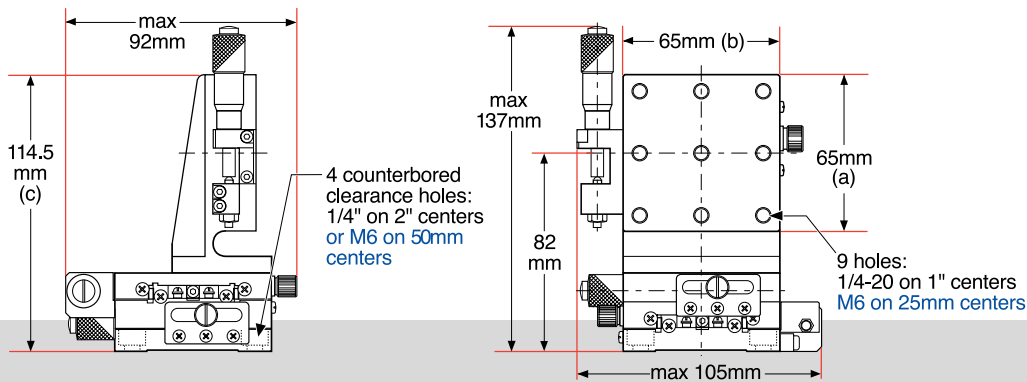
65mm STAINLESS STEEL STAGE 2 PIVOT DRIVE

Part No. 122-1360/1365



65mm STAINLESS STEEL STAGE Z BRACKET SIDE DRIVE

Part No. 122-1370/1375

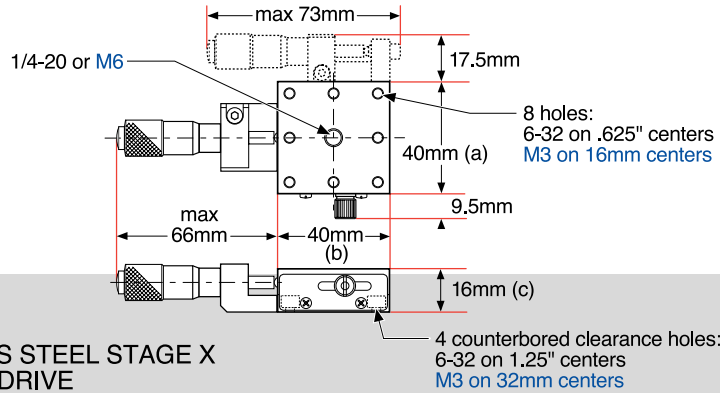


65mm STAINLESS STEEL STAGE XYZ BRACKET SIDE DRIVE

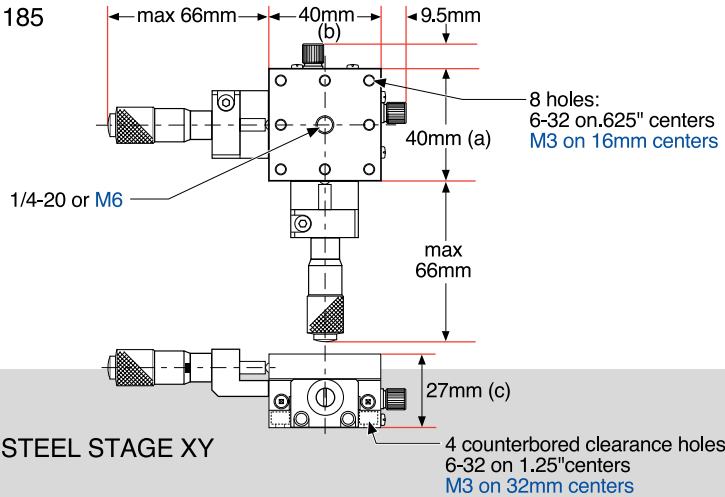
ORDERING
&
TECHNICAL SUPPORT
(949) 851-5881
FAX (949) 851-5058
E-MAIL
sales@optosigma.com
WEB
www.optosigma.com

40mm Stainless Steel Linear Stages

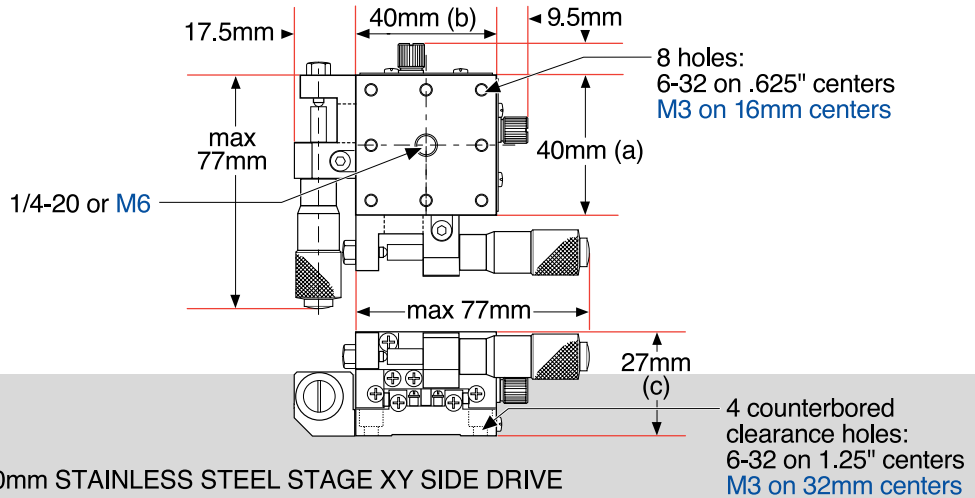
Part No. 122-1160/1165/1170/1175



Part No. 122-1180/1185



Part No. 122-1190/1195



ORDERING
&
TECHNICAL SUPPORT

(949) 851-5881

FAX (949) 851-5058

E-MAIL

sales@optosigma.com

WEB

www.optosigma.com

40mm Stainless Steel Linear Stages

Steel Extended
Contact Bearing Stages

Stainless Steel Extended
Contact Bearing Stages

Aluminum Stages

Rotation Stages

Goniometers

Rack & Pinion
Dovetail Stages

Preset Dovetail Stages

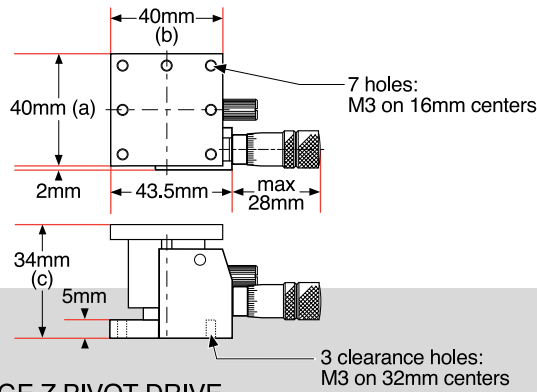
Leadscrew Slides

Tilt Platforms

OEM Slides

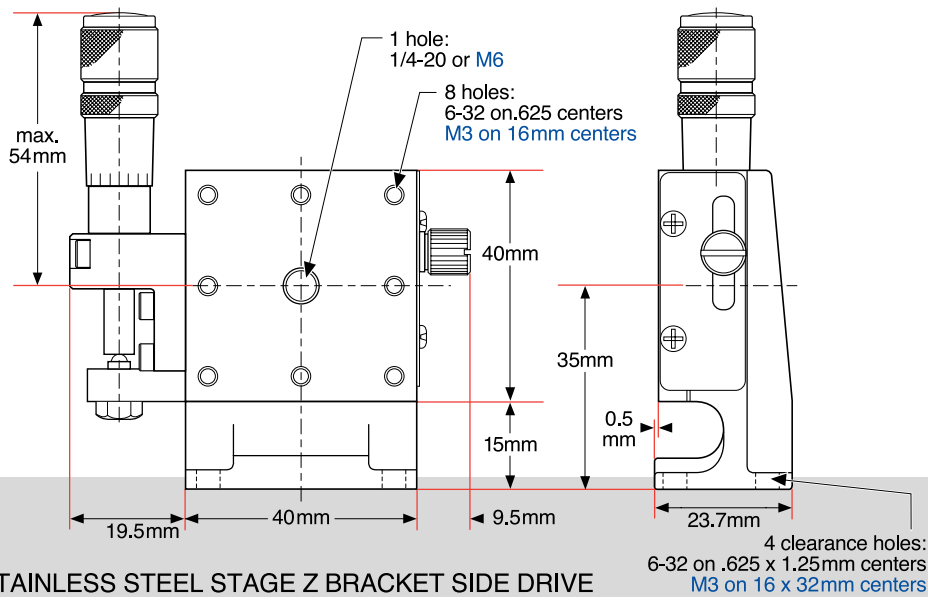
Accessories

Part No. 122-1220/1225



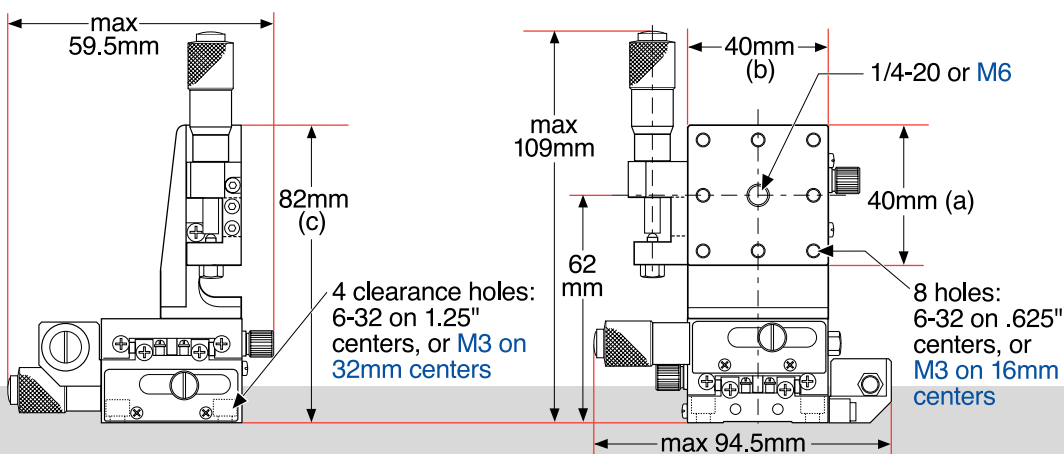
40mm STAINLESS STEEL STAGE Z PIVOT DRIVE

Part No. 122-1223/1227



40mm STAINLESS STEEL STAGE Z BRACKET SIDE DRIVE

Part No. 122-1224/1228

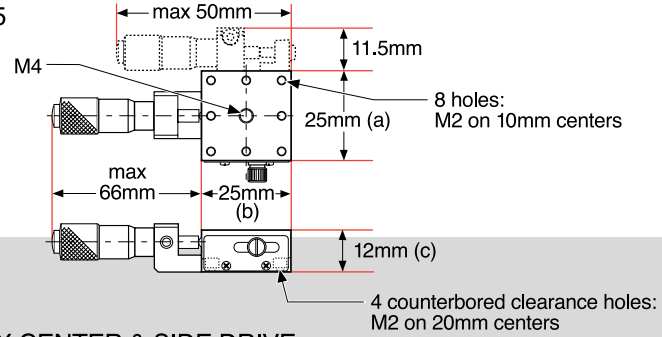


40mm STAINLESS STEEL STAGE XYZ SIDE MOUNT

ORDERING
&
TECHNICAL SUPPORT
(949) 851-5881
FAX (949) 851-5058
E-MAIL
sales@optosigma.com
WEB
www.optosigma.com

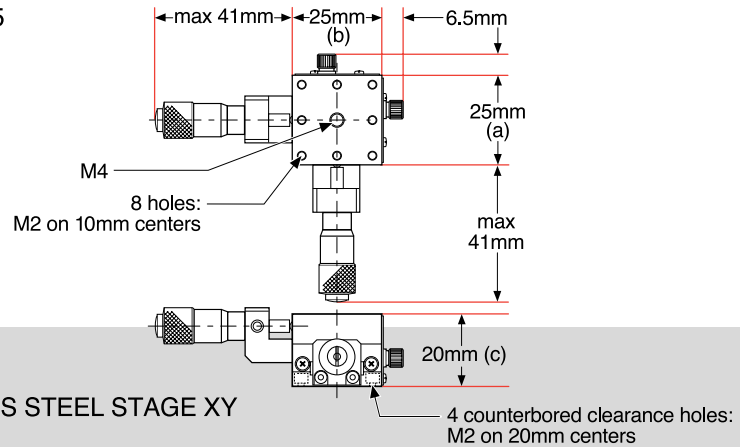
25mm Stainless Steel Linear Stages

Part No. 122-1115/1125



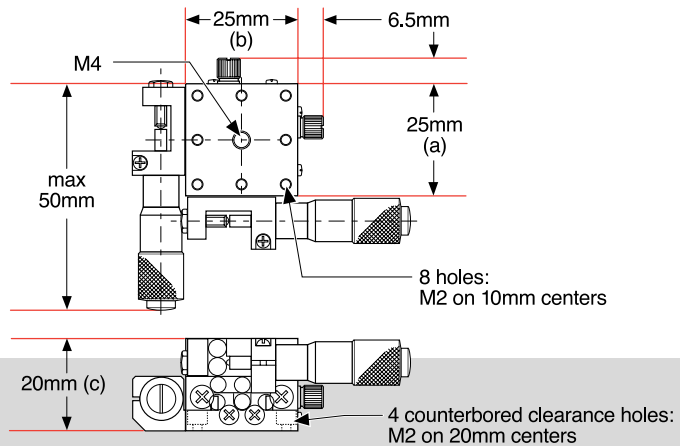
25mm STEEL STAGE X CENTER & SIDE DRIVE

Part No. 122-1135



25mm STAINLESS STEEL STAGE XY CENTER DRIVE

Part No. 122-1145



25mm STAINLESS STEEL STAGE XY SIDE DRIVE

ORDERING
&
TECHNICAL SUPPORT

(949) 851-5881
FAX (949) 851-5058

E-MAIL
sales@optosigma.com

WEB
www.optosigma.com

25mm Stainless Steel Linear Stages

Steel Extended
Contact Bearing Stages

**Stainless Steel Extended
Contact Bearing Stages**

Aluminum Stages

Rotation Stages

Goniometers

Rack & Pinion
Dovetail Stages

Preset Dovetail Stages

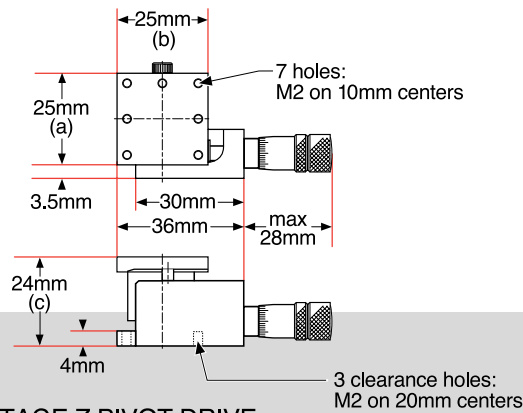
Leadscrew Slides

Tilt Platforms

OEM Slides

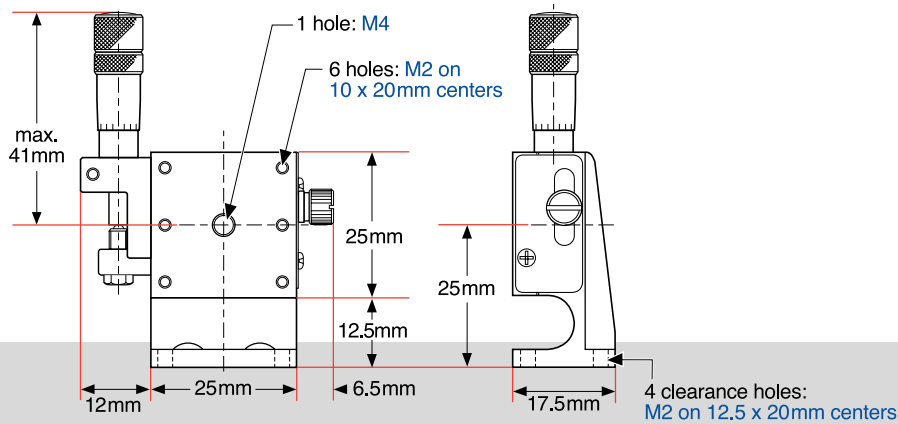
Accessories

Part No. 122-1155



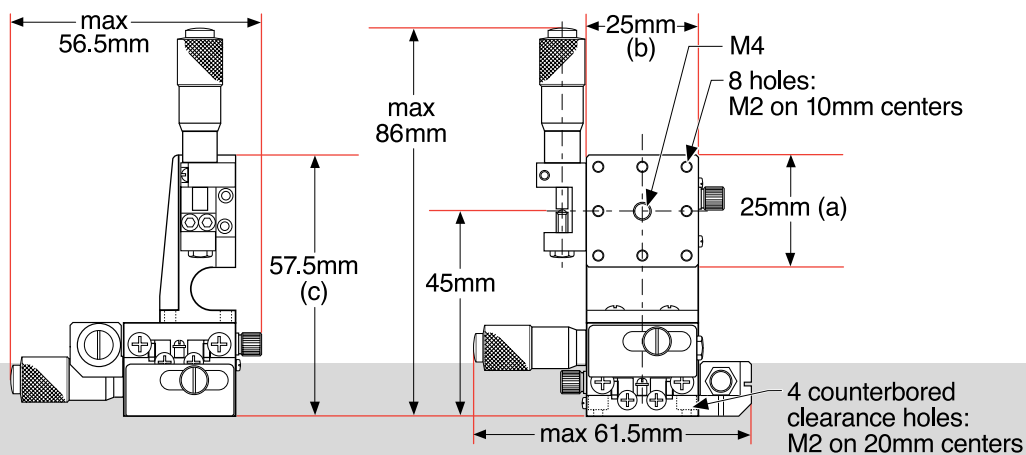
25mm STAINLESS STEEL STAGE Z PIVOT DRIVE

Part No. 122-1157



25mm STAINLESS STEEL STAGE Z BRACKET SIDE DRIVE

Part No. 122-1158



25mm STAINLESS STEEL STAGE XYZ SIDE MOUNT

ORDERING
&
TECHNICAL SUPPORT
(949) 851-5881
FAX (949) 851-5058
E-MAIL
sales@optosigma.com
WEB
www.optosigma.com



Steel Extended Contact Bearing

Stainless Steel Extended Contact Bearing Stages

Aluminum Stages

Rotation Stages

Goniometers

Rack & Pinion Dovetail Stages

Preset Dovetail Stages

Leadscrew Slides

Tilt Platforms

OEM Slides

Accessories

Specifications & Tolerances

Dimensions: $\pm 0.2\text{mm}$
 Pitch: $<25\text{arcsec}$
 Micrometer sensitivity: $10\mu\text{m}$
 Minimum increment: $3\mu\text{m}$

Straightness: $2\mu\text{m}$, Z stage $5\mu\text{m}$
 Yaw: $<15\text{arcsec}$
 Material: Stainless steel

Stainless Steel Extended Contact Bearing Linear Stages

INCH METRIC

Dimensions a x b Height (mm)	Height (mm)	Axes of Travel	Travel (mm)	Micrometer Position	Load Capacity (kg)	Price	PART NUMBER	PART NUMBER
65 x 65	20.0	X	± 6.5	Center	30		122-1310	122-1315
65 x 65	20.0	X	± 6.5	Side	30		122-1320	122-1325
65 x 65	32.0	XY	± 6.5	Center	30		122-1330	122-1335
65 x 65	32.0	XY	± 6.5	Side	30		122-1340	122-1345
65 x 65	55.0	Z	± 5	Pivot	15		122-1350	122-1355
65 x 65	82.5	Z	± 6.5	Bracket Side	3		122-1360	122-1365
65 x 65	114.5	XYZ	± 6.5	Side	3		122-1370	122-1375
40 x 40	16.0	X	± 6.5	Center	15		122-1160	122-1165
40 x 40	16.0	X	± 6.5	Side	15		122-1170	122-1175
40 x 40	27.0	XY	± 6.5	Center	15		122-1180	122-1185
40 x 40	27.0	XY	± 6.5	Side	15		122-1190	122-1195
40 x 40	34.0	Z	± 3	Pivot	9		122-1220	122-1225
40 x 40	55.0	Z	± 6.5	Bracket Side	2		122-1223	122-1227
40 x 40	82.0	XYZ	± 6.5	Side	2		122-1224	122-1228
25 x 25	12.0	X	± 3	Center	4		-	122-1115
25 x 25	12.0	X	± 3	Side	4		-	122-1125
25 x 25	20.0	XY	± 3	Center	4		-	122-1135
25 x 25	20.0	XY	± 3	Side	4		-	122-1145
25 x 25	24.0	Z	± 3	Pivot	3		-	122-1155
25 x 25	32.5	Z	± 3	Bracket Side	1		-	122-1157
25 x 25	57.5	XYZ	± 3	Side	1		-	122-1158

Side micrometers are normally mounted on the left hand side of the stage.

For **right hand** mounted micrometers **append -R**.

To order a stage **without** a micrometer or micrometer mounting block **append -X** and deduct \$10 per axis from the price.

ORDERING
&
TECHNICAL SUPPORT
(949) 851-5881
FAX (949) 851-5058
E-MAIL
sales@optosigma.com
WEB
www.optosigma.com



Our extensive metrology capabilities ensure that our products will meet or exceed their specifications.