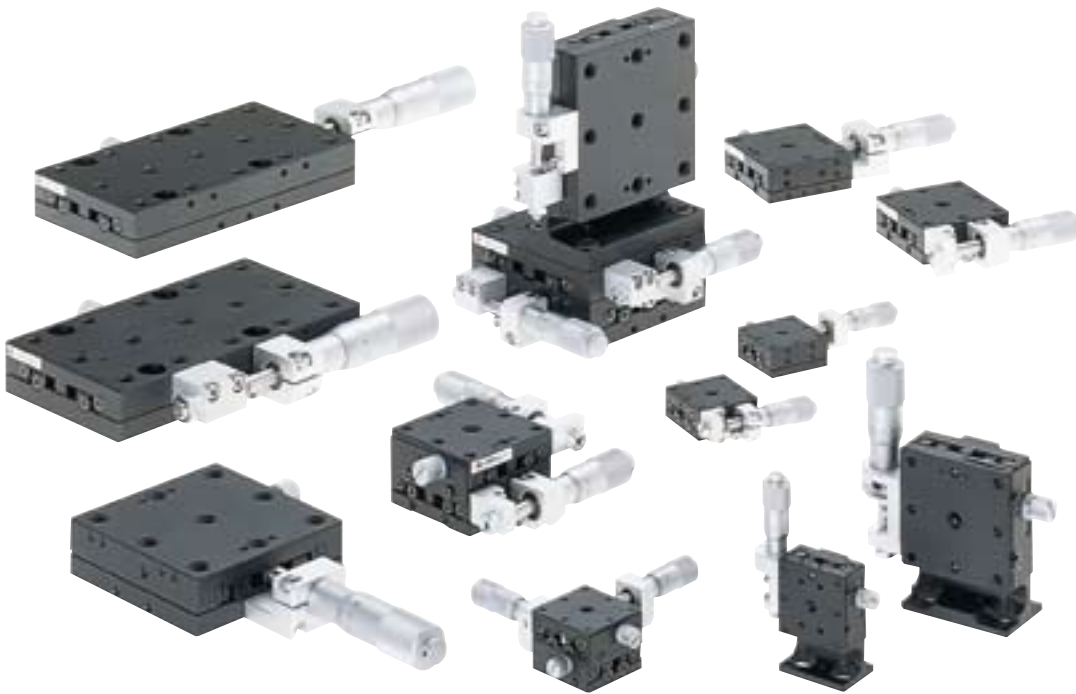


Steel Extended Contact Bearing Linear Stages

- Patented extended contact ball bearings
- Thin design using only two plates
- High load capacity and stiffness
- Straightness of travel <2microns
- Wide range of footprints provide up to 2 inches of travel.
- Compatible with industry standard inch and metric breadboards
- Horizontal and vertical motion
- Micrometer driven
- Lockable



Look closely and you will see that this patented family of stages greatly surpasses the performance of most, apparently similar, stages. The design and method of manufacture provides many benefits. First, there are far fewer parts than expected. The stages consist of a top plate and a bottom plate only. There are no intermediate plates and no bearing adapters to add to the tolerance build-up. Linear bearing ways are machined directly into the steel plates and honed to provide the highest possible precision. Second, the ball bearings are contacted by an extended curved surface which provides greater load capacity and higher precision than crossed-roller bearings.

Steel Extended
Contact Bearing Stages

Stainless Steel Extended
Contact Bearing Stages

Aluminum Stages

Rotation Stages

Goniometers

Rack & Pinion
Dovetail Stages

Preset Dovetail Stages

Leadscrew Slides

Tilt Platforms

OEM Slides

Accessories

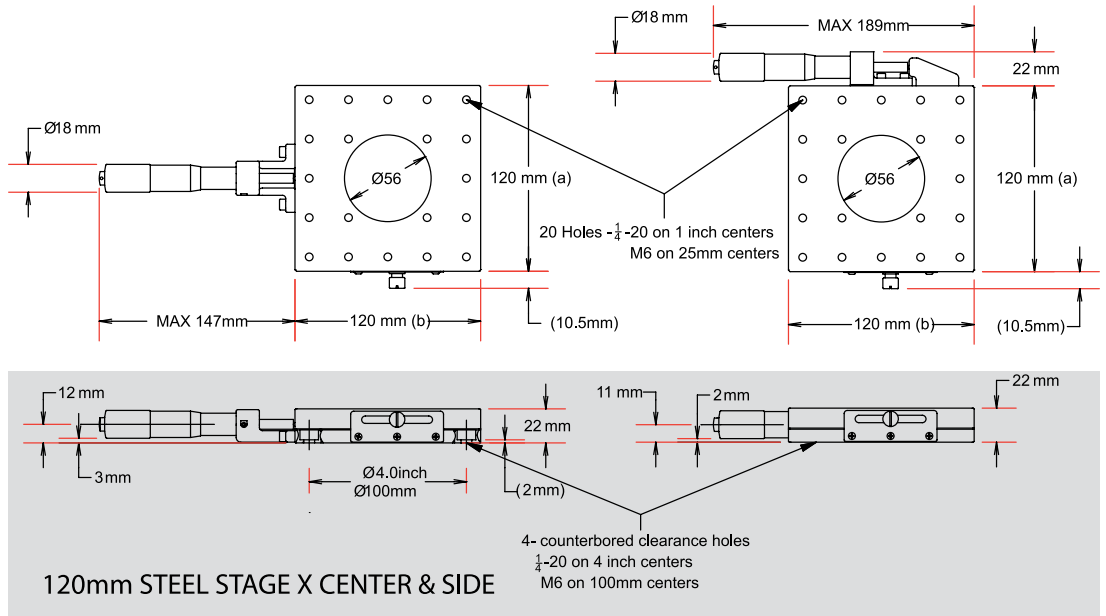
ORDERING
&
TECHNICAL SUPPORT
(949) 851-5881
FAX (949) 851-5058
E-MAIL
sales@optosigma.com
WEB
www.optosigma.com

 OptoSigma®

120mm Extended Contact Bearing Steel Stages

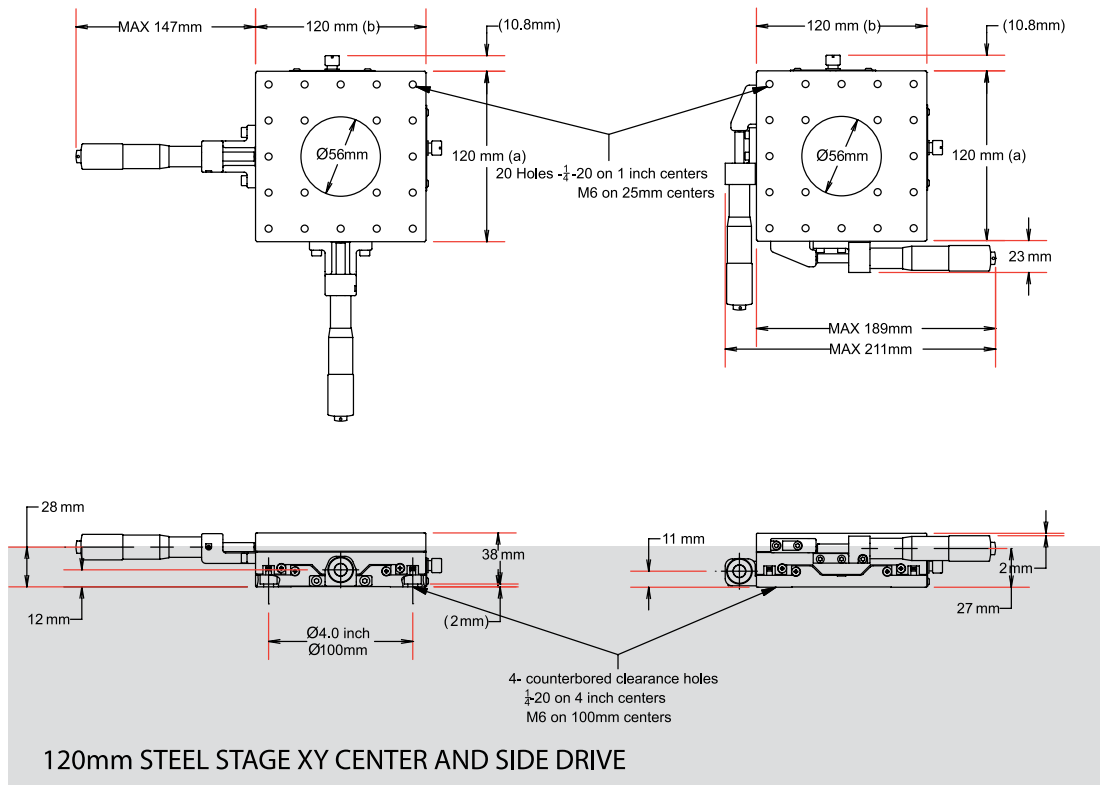
Part No. 122-0210 (Inch)
122-0215 (Metric)

Part No. 122-0220 (Inch)
122-0225 (Metric)



Part No. 122-0230 (Inch)
122-0235 (Metric)

Part No. 122-0240 (Inch)
122-0245 (Metric)



ORDERING
&
TECHNICAL SUPPORT

(949) 851-5881

FAX (949) 851-5058

E-MAIL

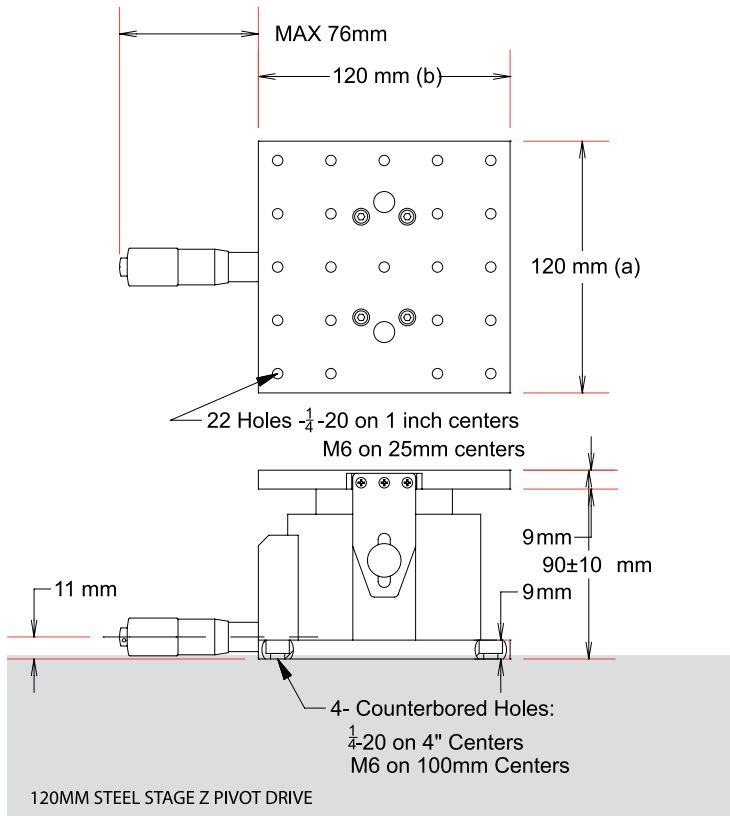
sales@optosigma.com

WEB

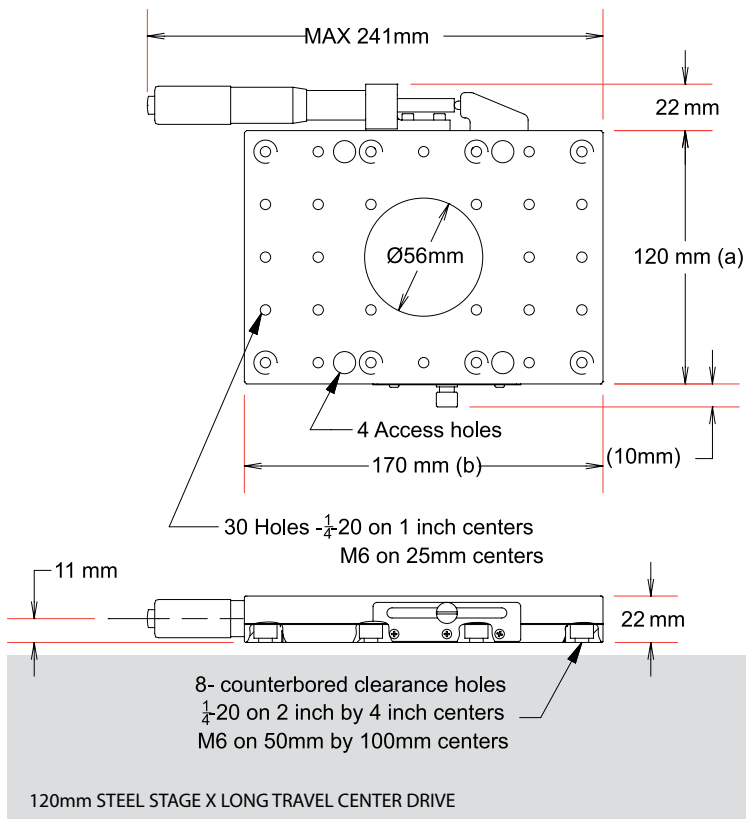
www.optosigma.com



Part No. 122-0250 (Inch)
122-0255 (Metric)



Part No. 122-0222 (Inch)
122-0227 (Metric)



ORDERING
&
TECHNICAL SUPPORT
(949) 851-5881
FAX (949) 851-5058
E-MAIL
sales@optosigma.com
WEB
www.optosigma.com

Stainless Steel Extended Contact Bearing Stages

Aluminum Stages

Rotation Stages

Goniometers

Rack & Pinion Dovetail Stages

Preset Dovetail Stages

Leadscrew Slides

Tilt Platforms

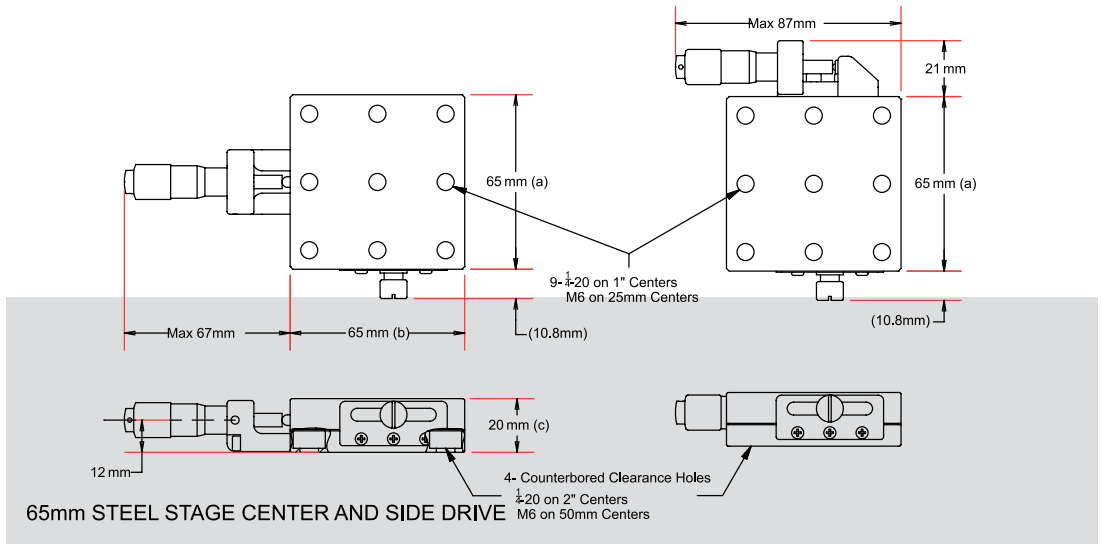
OEM Slides

Accessories

65mm Extended Contact Bearing Steel Stages

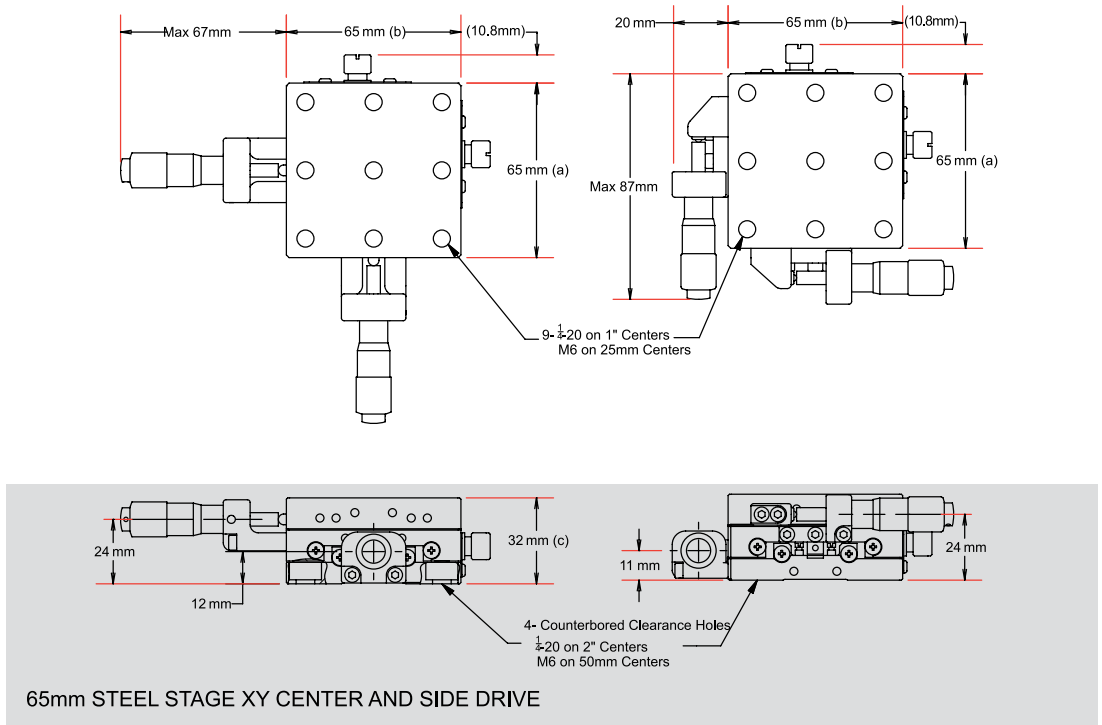
Part No. 122-0110 (Inch)
122-0115 (Metric)

Part No. 122-0120 (Inch)
122-0125 (Metric)



Part No. 122-0130 (Inch)
122-0135 (Metric)

Part No. 122-0140 (Inch)
122-0145 (Metric)



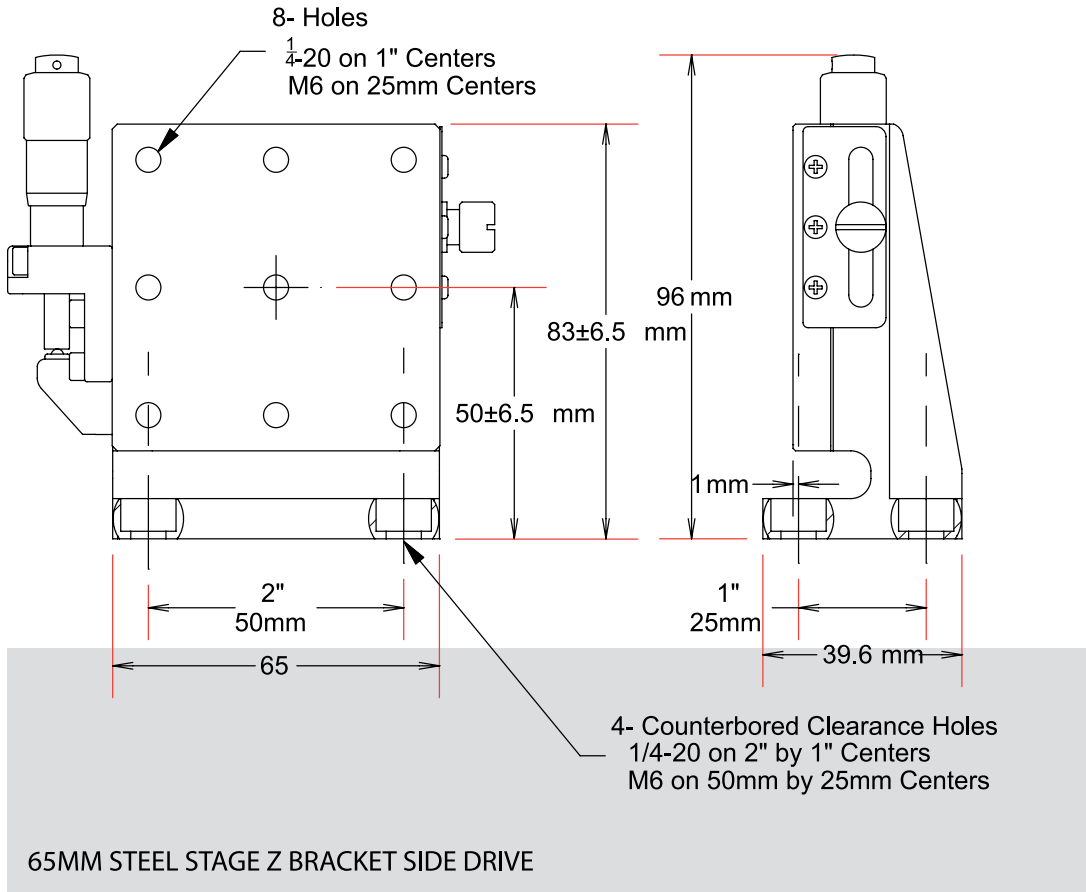
ORDERING
&
TECHNICAL SUPPORT

(949) 851-5881
FAX (949) 851-5058

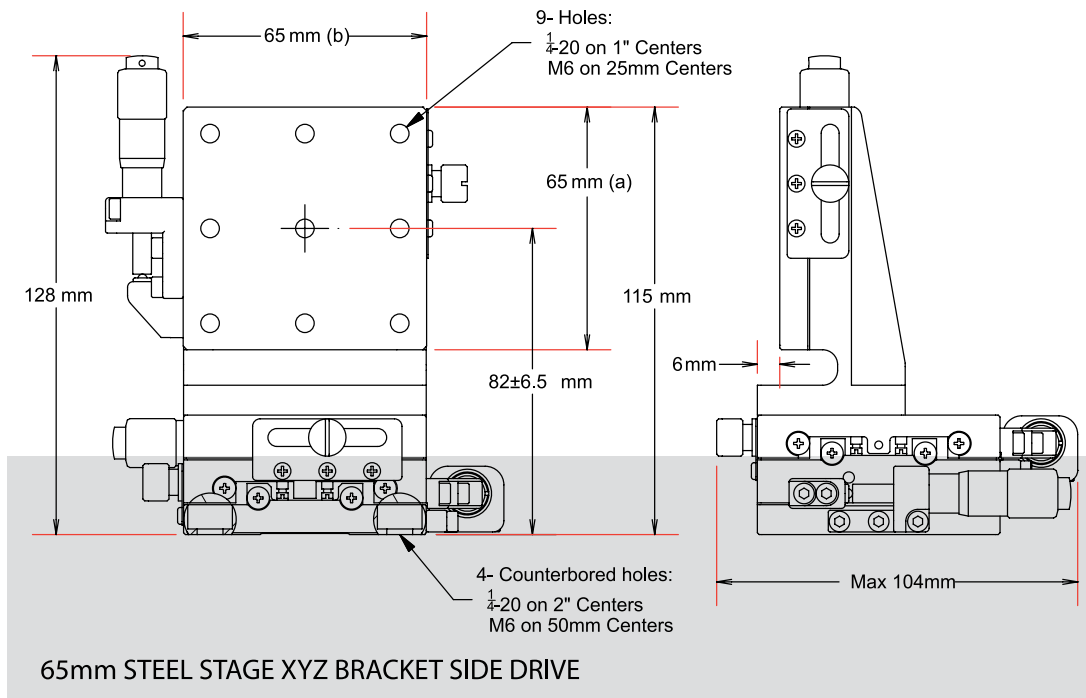
E-MAIL
sales@optosigma.com

WEB
www.optosigma.com

Part No. 122-0160 (Inch)
122-0165 (Metric)



Part No. 122-0170 (Inch)
122-0175 (Metric)



ORDERING
&
TECHNICAL SUPPORT
(949) 851-5881
FAX (949) 851-5058
E-MAIL
sales@optosigma.com
WEB
www.optosigma.com



Steel Extended Contact Bearing Stages

Stainless Steel Extended Contact Bearing Stages

Aluminum Stages

Rotation Stages

Goniometers

Rack & Pinion Dovetail Stages

Preset Dovetail Stages

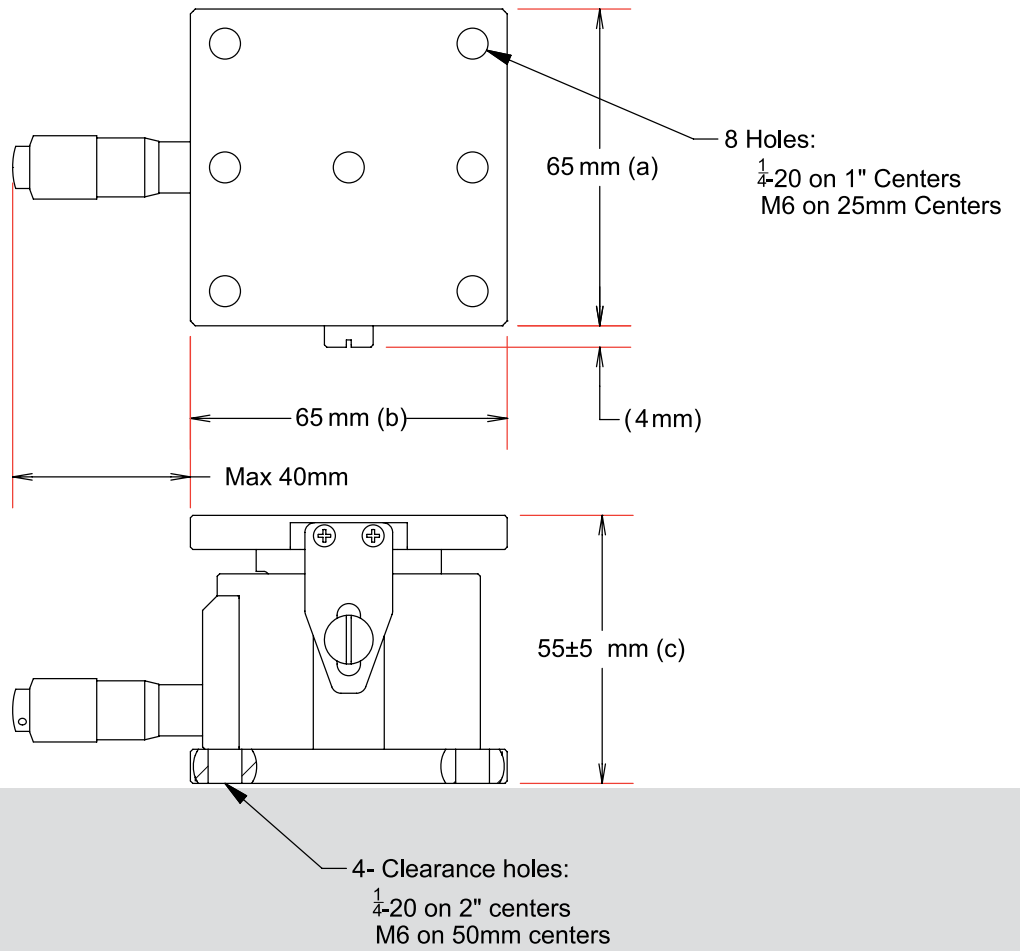
Leadscrew Slides

Tilt Platforms

OEM Slides

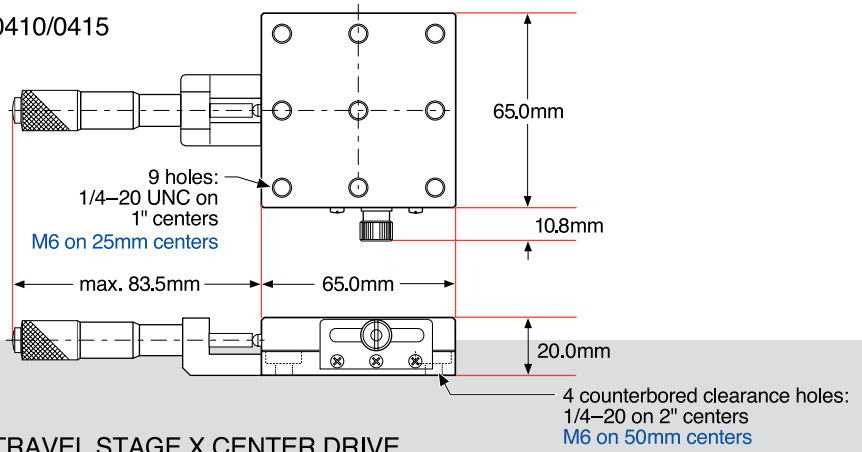
Accessories

Part No. 122-0150 (Inch)
122-0155 (Metric)



65mm STEEL STAGE Z PIVOT DRIVE

Part No. 122-0410/0415



65mm 25mm TRAVEL STAGE X CENTER DRIVE

ORDERING
&
TECHNICAL SUPPORT

(949) 851-5881
FAX (949) 851-5058

E-MAIL
sales@optosigma.com

WEB
www.optosigma.com

Steel Extended Contact Bearing Stages

Stainless Steel Extended Contact Bearing Stages

Aluminum Stages

Rotation Stages

Goniometers

Rack & Pinion Dovetail Stages

Preset Dovetail Stages

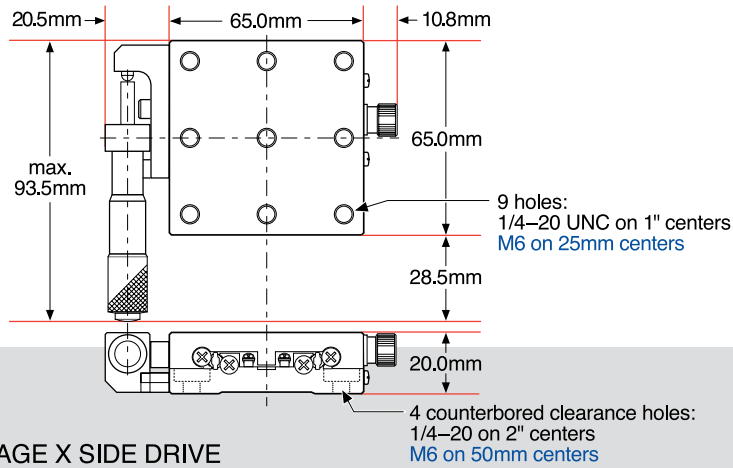
Leadscrew Slides

Tilt Platforms

OEM Slides

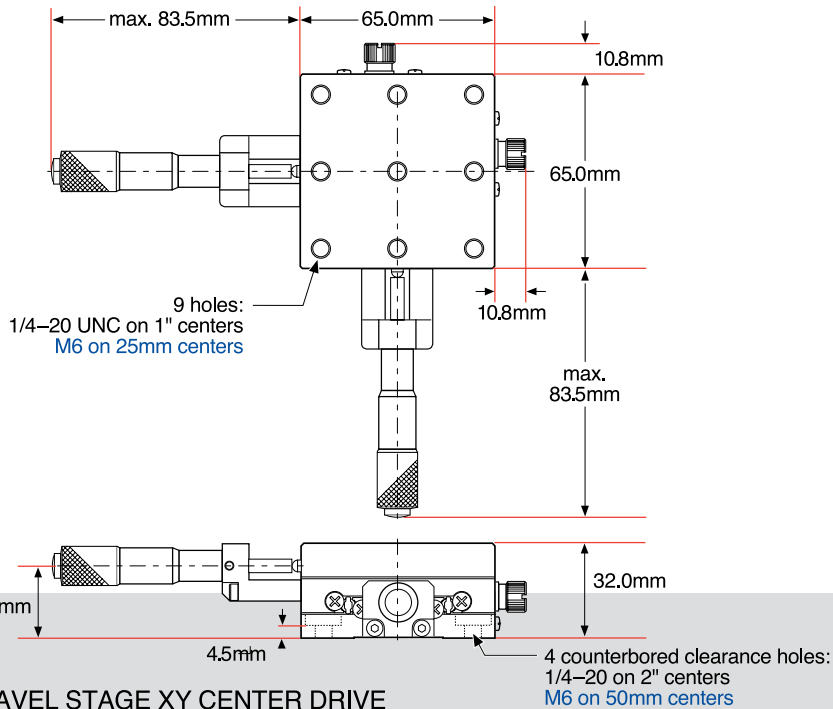
Accessories

Part No. 122-0420/0425



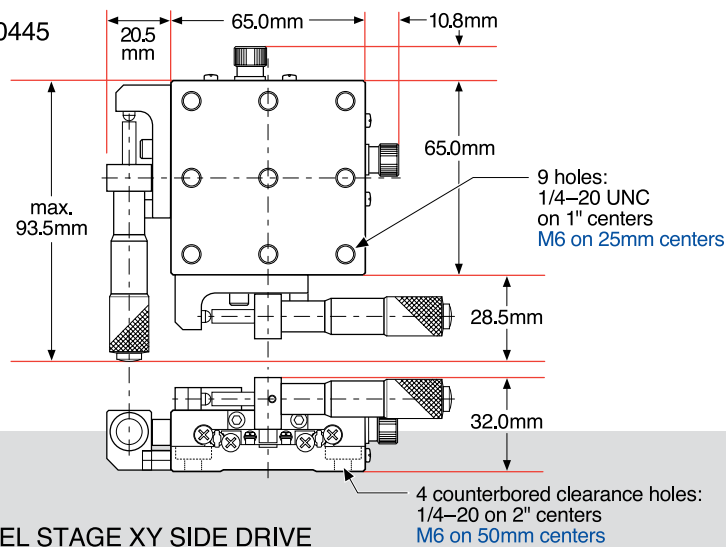
65mm 25mm TRAVEL STAGE X SIDE DRIVE

Part No. 122-0430/0435



65mm 25mm TRAVEL STAGE XY CENTER DRIVE

Part No. 122-0440/0445



65mm 25mm TRAVEL STAGE XY SIDE DRIVE

ORDERING
&
TECHNICAL SUPPORT
(949) 851-5881
FAX (949) 851-5058
E-MAIL
sales@optosigma.com
WEB
www.optosigma.com



Stainless Steel Extended
Contact Bearing Stages

Aluminum Stages

Rotation Stages

Goniometers

Rack & Pinion
Dovetail Stages

Preset Dovetail Stages

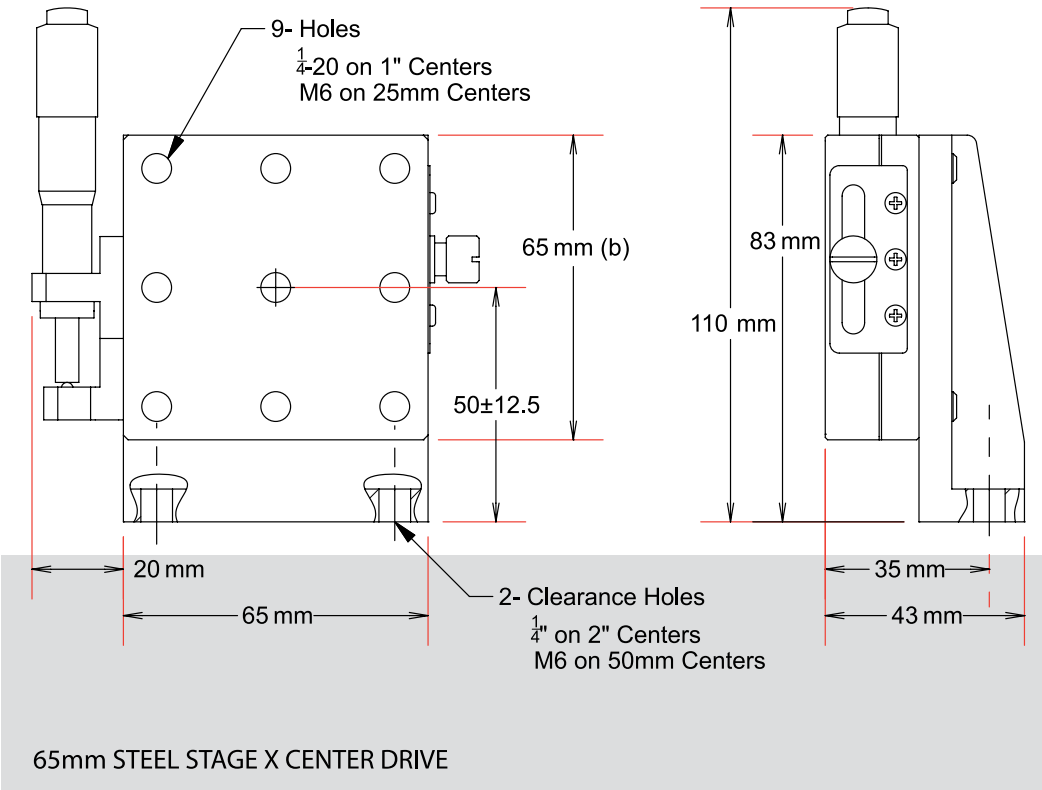
Leadscrew Slides

Tilt Platforms

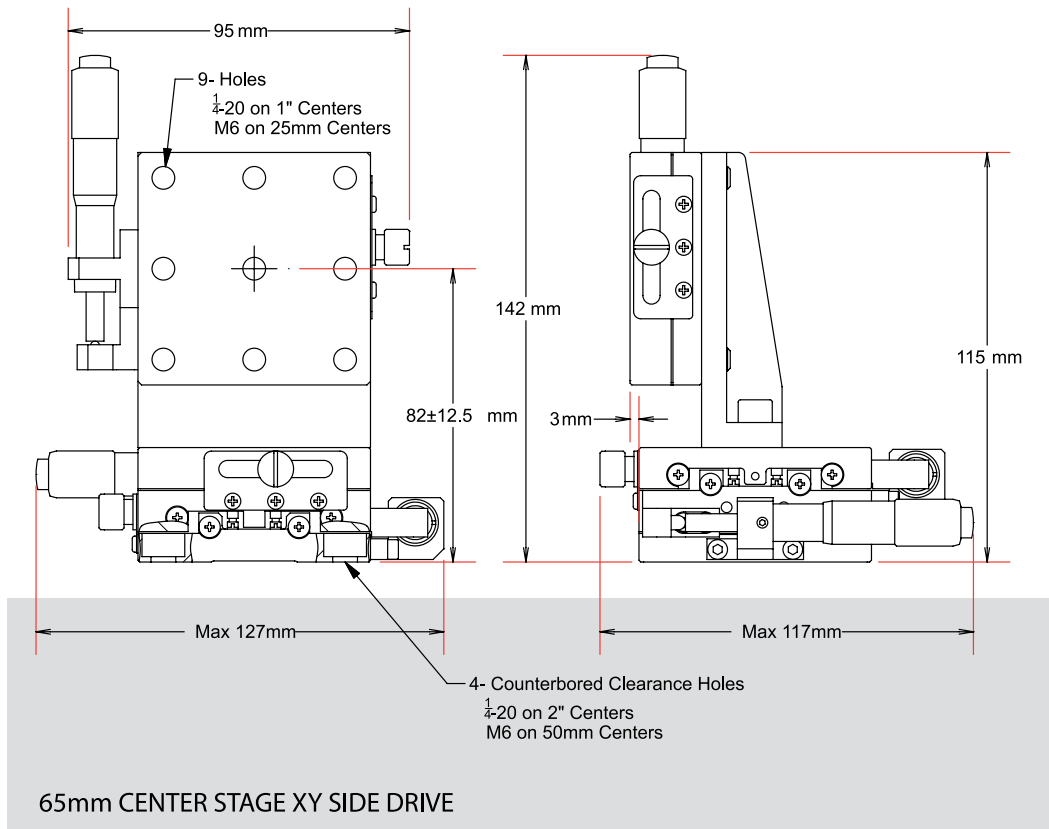
OEM Slides

Accessories

Part No. 122-0460 (Inch)
122-0465 (Metric)



Part No. 122-0480 (Inch)
122-0485 (Metric)



ORDERING
&
TECHNICAL SUPPORT

(949) 851-5881

FAX (949) 851-5058

E-MAIL

sales@optosigma.com

WEB

www.optosigma.com



Steel Extended Contact Bearing Stages

Stainless Steel Extended Contact Bearing Stages

Aluminum Stages

Rotation Stages

Goniometers

Rack & Pinion Dovetail Stages

Preset Dovetail Stages

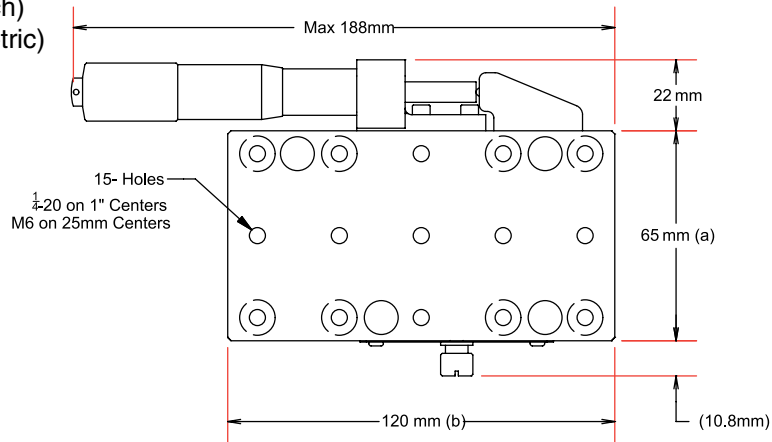
Leadscrew Slides

Tilt Platforms

OEM Slides

Accessories

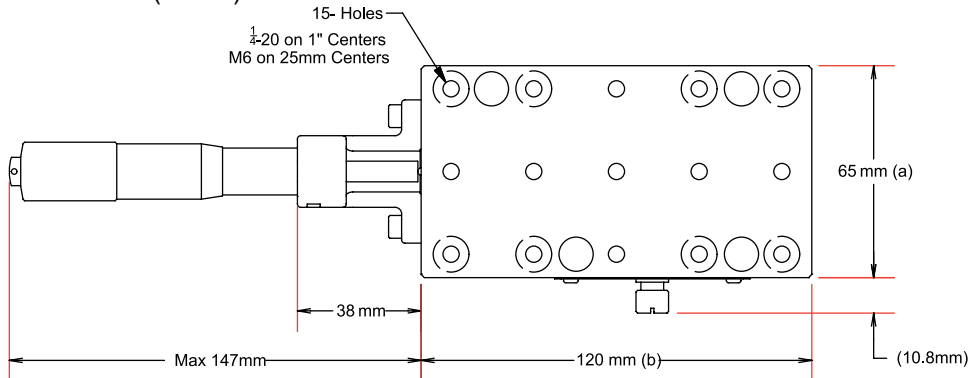
Part No. 122-0260 (Inch)
122-0265 (Metric)



8- Counterbored Clearance Holes
1/4-20 on 2" by 1"
M6 on 50mm by 25mm

65mm STEEL STAGE X LONG TRAVEL CENTER DRIVE

Part No. 122-0270 (Inch)
122-0275 (Metric)



8- Counterbored Clearance Holes
1/4-20 on 2" by 1"
M6 on 50mm by 25mm

65mm STEEL STAGE X LONG TRAVEL CENTER DRIVE

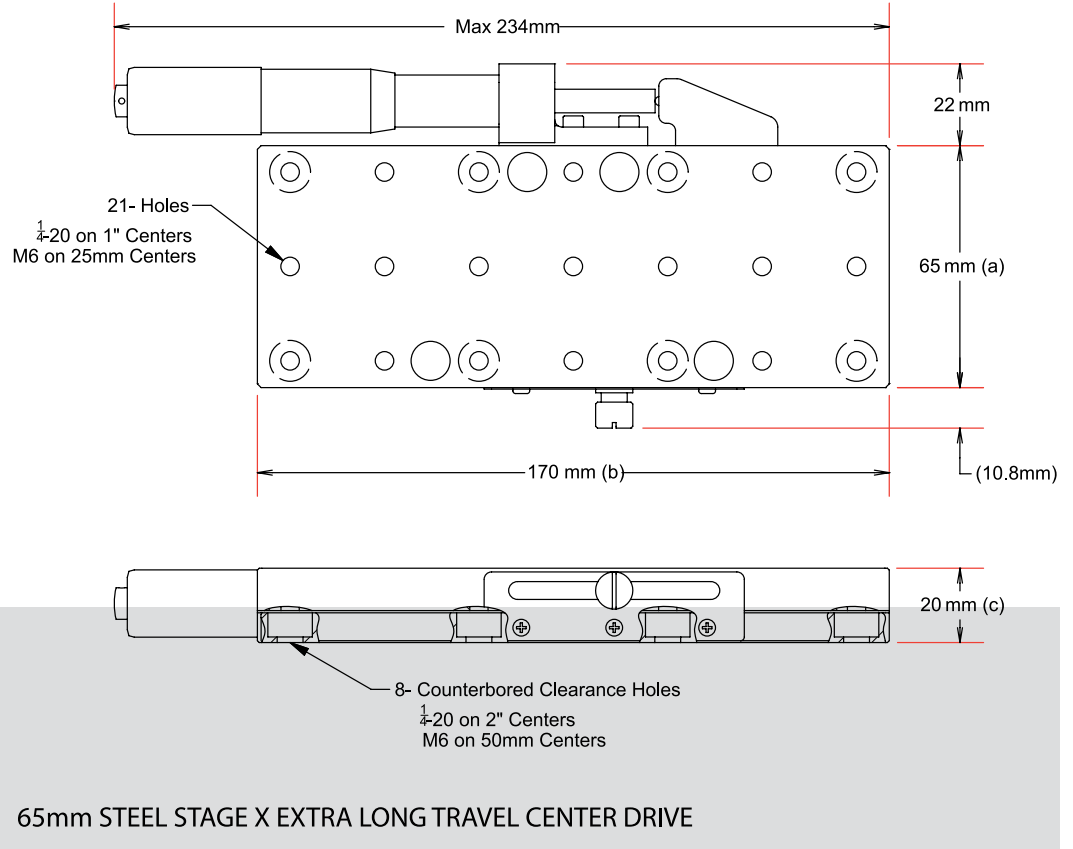
ORDERING
&
TECHNICAL SUPPORT
(949) 851-5881
FAX (949) 851-5058
E-MAIL
sales@optosigma.com
WEB
www.optosigma.com



Steel Extended Contact Bearing Stages

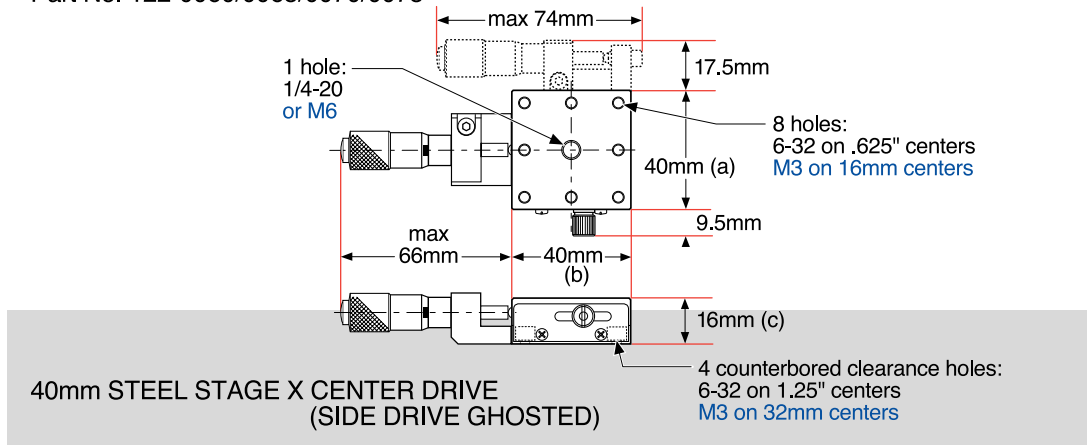
- Stainless Steel Extended Contact Bearing Stages
- Aluminum Stages
- Rotation Stages
- Goniometers
- Rack & Pinion Dovetail Stages
- Preset Dovetail Stages
- Leadscrew Slides
- Tilt Platforms
- OEM Slides
- Accessories

Part No. 122-0300 (Inch)
122-0305 (Metric)



40mm Extended Contact Bearing Steel Stages

Part No. 122-0060/0065/0070/0075



ORDERING
&
TECHNICAL SUPPORT
(949) 851-5881
FAX (949) 851-5058
E-MAIL
sales@optosigma.com
WEB
www.optosigma.com



Steel Extended Contact Bearing Stages

Stainless Steel Extended Contact Bearing Stages

Aluminum Stages

Rotation Stages

Goniometers

Rack & Pinion Dovetail Stages

Preset Dovetail Stages

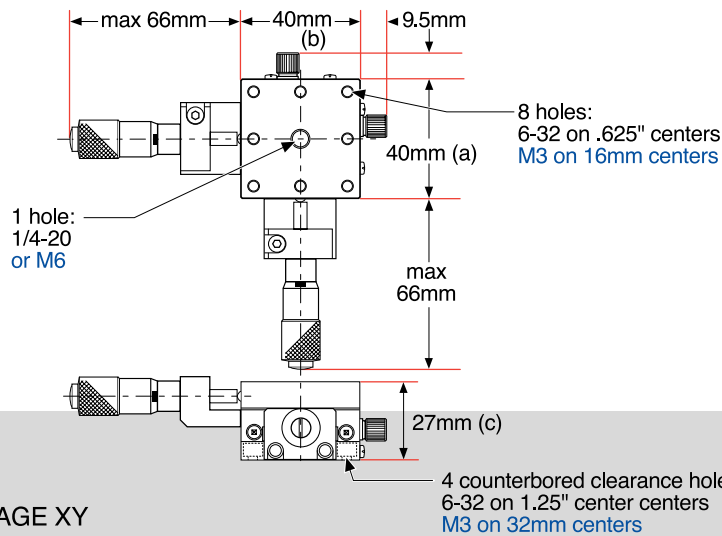
Leadscrew Slides

Tilt Platforms

OEM Slides

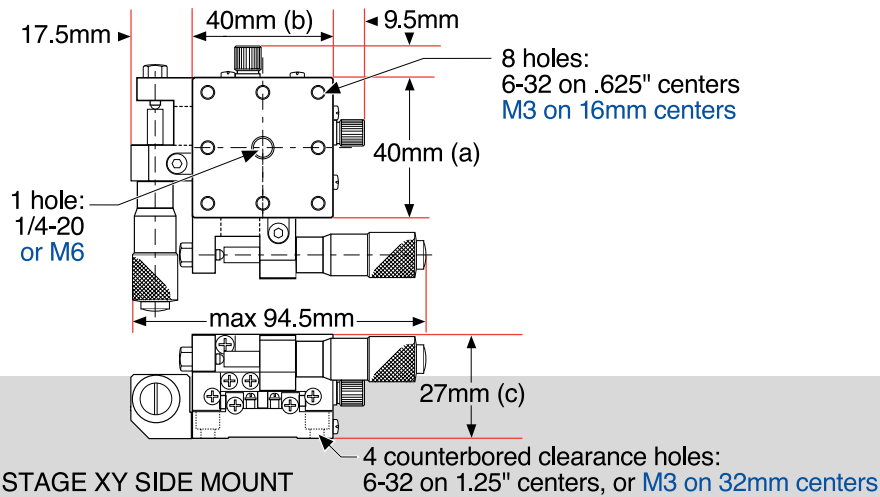
Accessories

Part No. 122-0080/0085



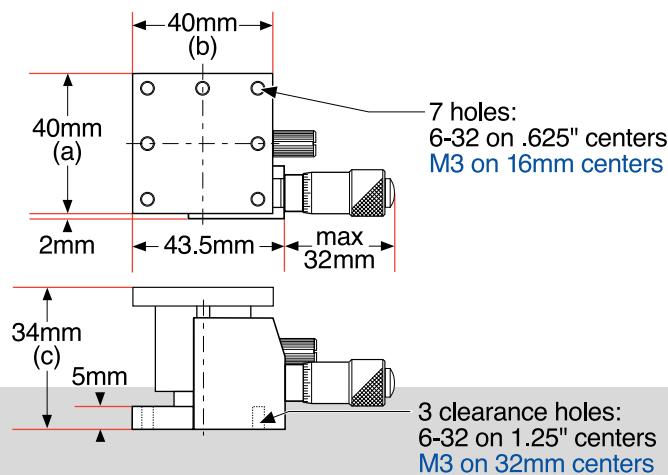
40mm STEEL STAGE XY

Part No. 122-0090/0095



40mm STEEL STAGE XY SIDE MOUNT

Part No. 122-0101/0106



40mm STEEL STAGE Z PIVOT DRIVE

ORDERING
&
TECHNICAL SUPPORT
(949) 851-5881
FAX (949) 851-5058
E-MAIL
sales@optosigma.com
WEB
www.optosigma.com



Steel Extended Contact Bearing Stages

Stainless Steel Extended Contact Bearing Stages

Aluminum Stages

Rotation Stages

Goniometers

Rack & Pinion Dovetail Stages

Preset Dovetail Stages

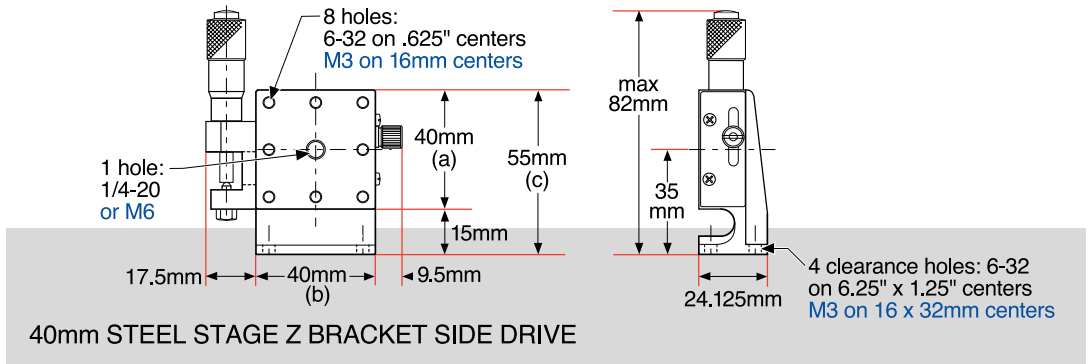
Leadscrew Slides

Tilt Platforms

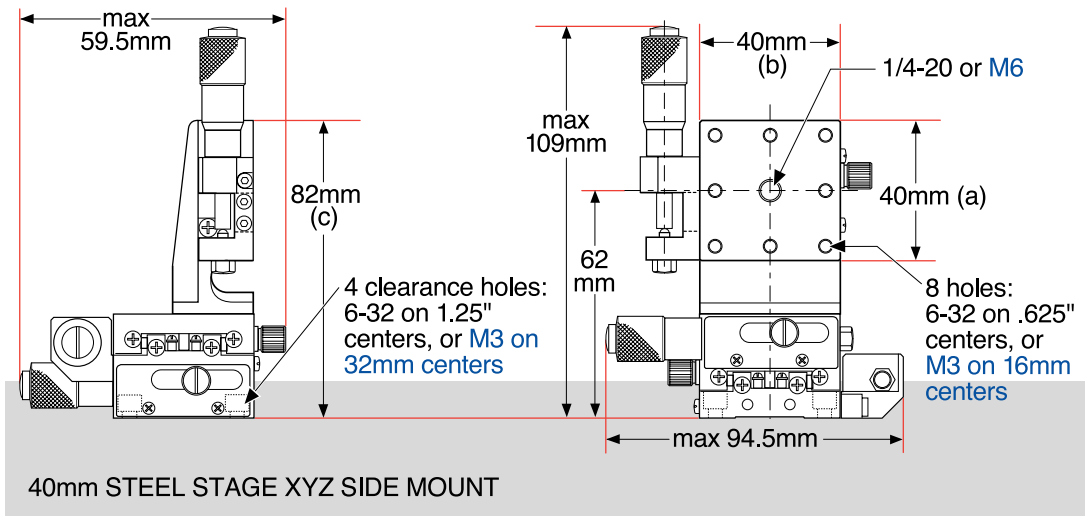
OEM Slides

Accessories

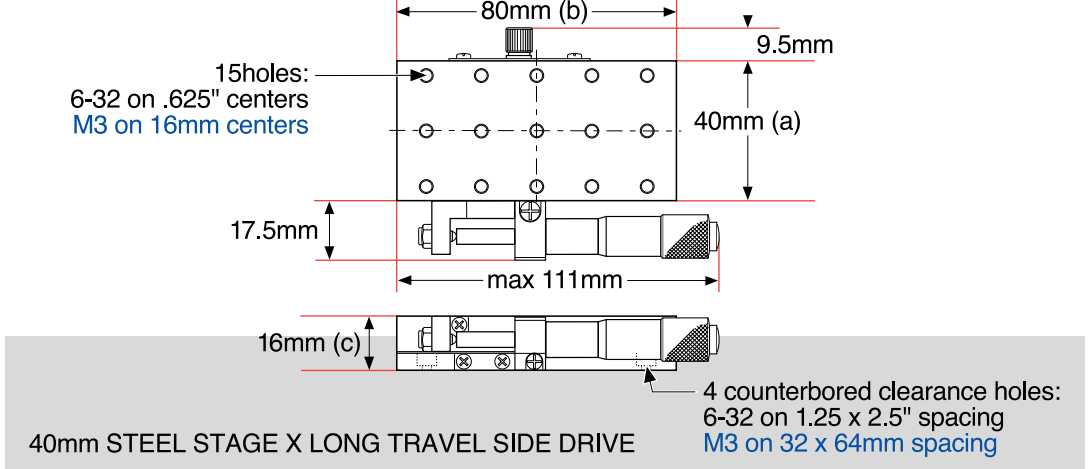
Part No. 122-0103/0105



Part No. 122-0104/0107



Part No. 122-0074/0078



ORDERING
&
TECHNICAL SUPPORT

(949) 851-5881
FAX (949) 851-5058

E-MAIL
sales@optosigma.com

WEB
www.optosigma.com



25mm Extended Contact Bearing Steel Stages

Steel Extended Contact Bearing Stages

Stainless Steel Extended Contact Bearing Stages

Aluminum Stages

Rotation Stages

Goniometers

Rack & Pinion Dovetail Stages

Preset Dovetail Stages

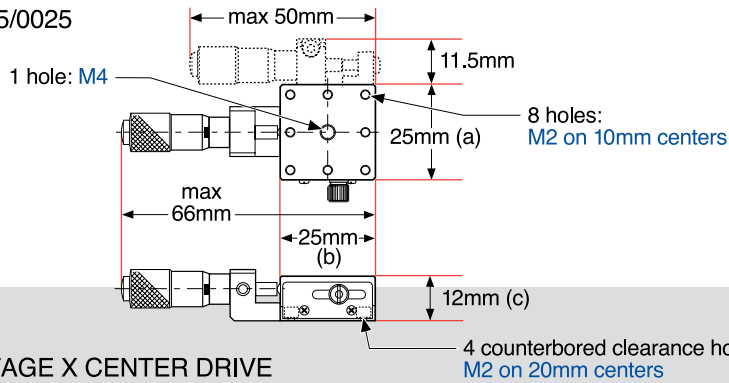
Leadscrew Slides

Tilt Platforms

OEM Slides

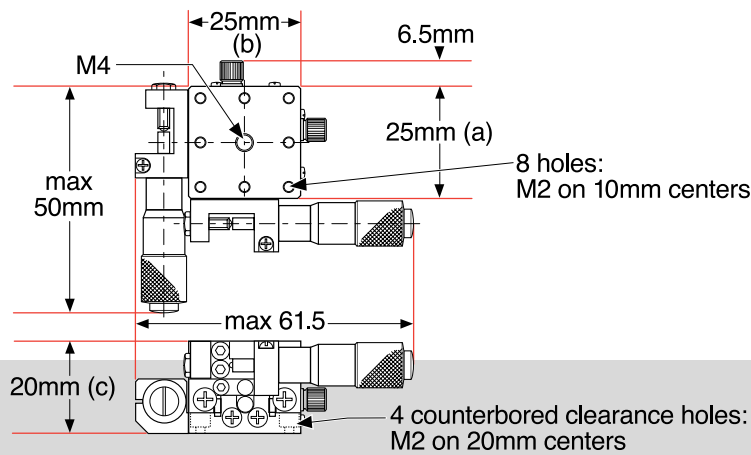
Accessories

Part No. 122-0015/0025



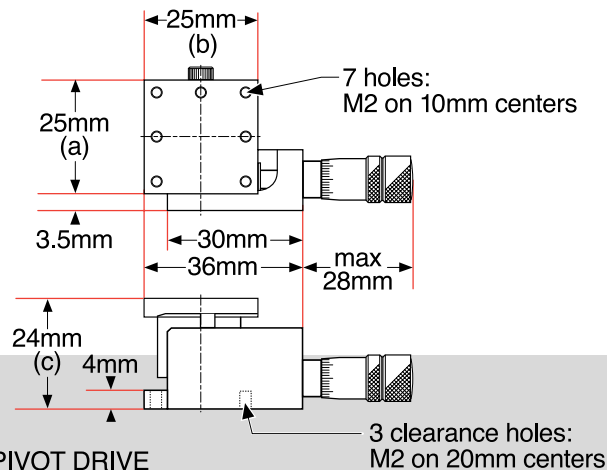
25mm STEEL STAGE X CENTER DRIVE
(SIDE DRIVE GHOSTED)

Part No. 122-0045



25mm STEEL STAGE XY SIDE MOUNT

Part No. 122-0047



25mm STEEL STAGE Z PIVOT DRIVE

ORDERING
&
TECHNICAL SUPPORT

(949) 851-5881

FAX (949) 851-5058

E-MAIL

sales@optosigma.com

WEB

www.optosigma.com

Steel Extended Contact Bearing Stages

Stainless Steel Extended Contact Bearing Stages

Aluminum Stages

Rotation Stages

Goniometers

Rack & Pinion Dovetail Stages

Preset Dovetail Stages

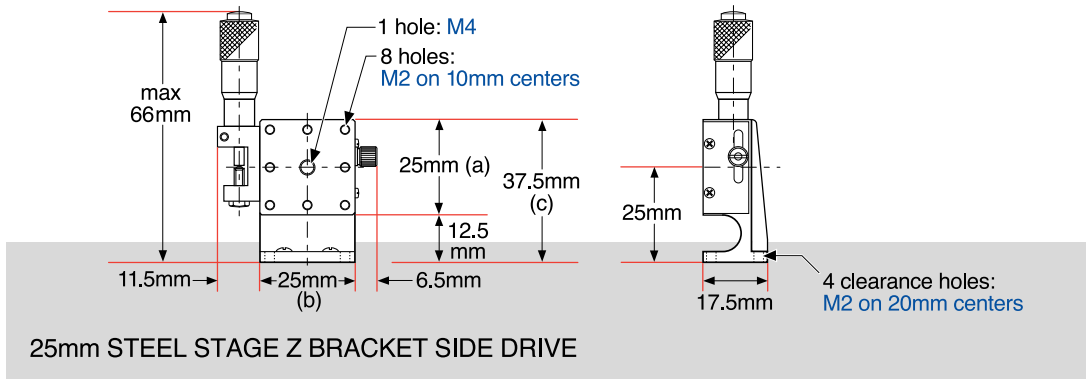
Leadscrew Slides

Tilt Platforms

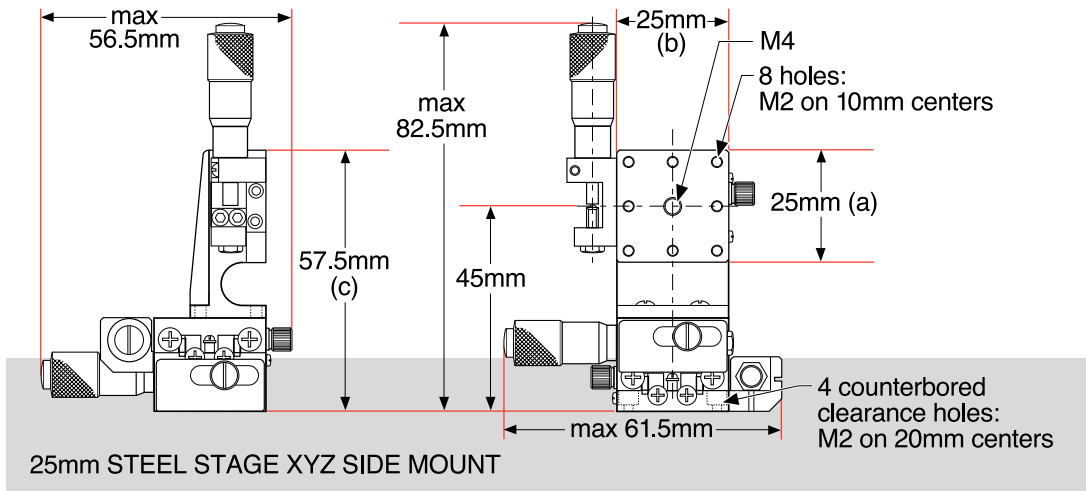
OEM Slides

Accessories

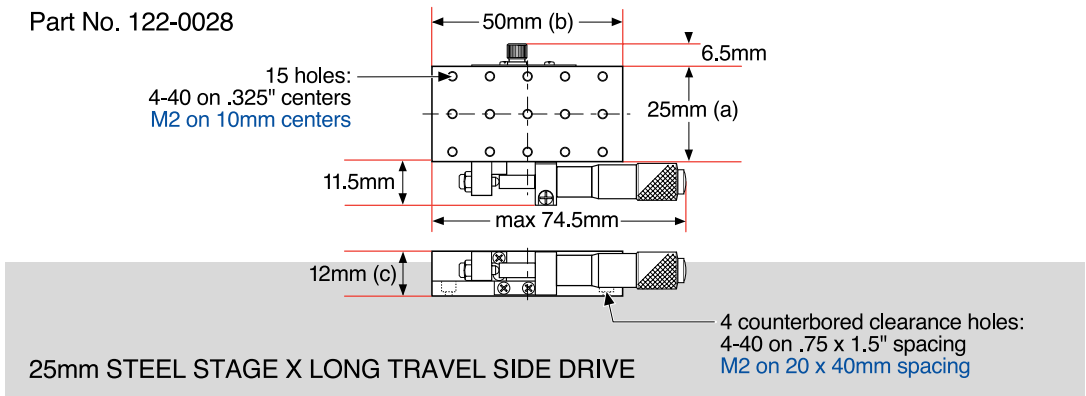
Part No. 122-0055



Part No. 122-0056



Part No. 122-0028



ORDERING
&
TECHNICAL SUPPORT

(949) 851-5881
FAX (949) 851-5058

E-MAIL
sales@optosigma.com

WEB
www.optosigma.com



Specifications & Tolerances

Dimensions: $\pm 0.2\text{mm}$
 Micrometer resolution: $10\mu\text{m}$
 Finish: Black chrome
 Yaw: $<15\text{arcsec}$
 Micrometer sensitivity: $10\mu\text{m}$

Pitch: $<25\text{arcsec}$
 Minimum increment: $3\mu\text{m}$
 Straightness: $2\mu\text{m}$; $3\mu\text{m}$; Z stage $5\mu\text{m}$
 Material: Steel

Steel Extended Contact Bearing Stages

Stainless Steel Extended Contact Bearing Stages

Aluminum Stages

Rotation Stages

Goniometers

Rack & Pinion Dovetail Stages

Preset Dovetail Stages

Leadscrew Slides

Tilt Platforms

OEM Slides

Accessories

Steel Extended Contact Bearing Linear Stages

INCH **METRIC**

Dimensions a x b (mm)	Height (mm)	Axes of Travel	Load Capacity (kg)	Travel (mm)	Micrometer Position	Price	PART NUMBER	PART NUMBER
120 x 120	22	X	70	± 20	Center		122-0210	122-0215
120 x 120	22	X	70	± 20	Side		122-0220	122-0225
120 x 120	38	XY	70	± 20	Center		122-0230	122-0235
120 x 120	38	XY	70	± 20	Side		122-0240	122-0245
120 x 120	90	Z	25	± 10	Pivot		122-0250	122-0255
120 x 170	22	X	70	± 25	Side		122-0222	122-0227
65 x 65	20	X	30	± 6.5	Center		122-0110	122-0115
65 x 65	20	X	30	± 6.5	Side		122-0120	122-0125
65 x 65	32	XY	30	± 6.5	Center		122-0130	122-0135
65 x 65	32	XY	30	± 6.5	Side		122-0140	122-0145
65 x 65	55	Z	15	± 5	Pivot		122-0150	122-0155
65 x 65	82.5	Z	3	± 6.5	Bracket Side		122-0160	122-0165
65 x 65	114.5	XYZ	3	± 6.5	Side		122-0170	122-0175
65 x 65	20	X	30	± 12.5	Center		122-0410	122-0415
65 x 65	20	X	30	± 12.5	Side		122-0420	122-0425
65 x 65	32	XY	30	± 12.5	Center		122-0430	122-0435
65 x 65	32	XY	30	± 12.5	Side		122-0440	122-0445
65 x 65	82.5	Z	3	± 12.5	Bracket Side		122-0460	122-0465
65 x 65	114.5	XYZ	3	± 12.5	Side		122-0480	122-0485
65 x 120	20	X	40	± 20	Side Mic		122-0260	122-0265
65 x 120	20	X	40	± 20	CenterMic		122-0270	122-0275
65 x 120	40	XY	40	± 20	CenterMic		122-0280	122-0285
65 x 120	32	XY	40	± 20	Side Mic		122-0290	122-0295
65 x 170	20	X	50	± 25	Side Mic		122-0300	122-0305
65 x 170	40	XY	50	± 25	Side Mic		122-0310	122-0315
40 x 40	16	X	15	± 6.5	Center		122-0060	122-0065
40 x 40	16	X	15	± 6.5	Side		122-0070	122-0075
40 x 40	27	XY	15	± 6.5	Center		122-0080	122-0085
40 x 40	27	XY	15	± 6.5	Side		122-0090	122-0095
40 x 40	34	Z	9	± 3	Pivot		122-0101	122-0106
40 x 40	55	Z	2	± 6.5	Bracket Side		122-0103	122-0105
40 x 40	82	XYZ	2	± 6.5	Side		122-0104	122-0107
40 x 80	16	X	20	± 12.5	Side		122-0074	122-0078
25 x 25	12	X	4	± 3	Center		-	122-0015
25 x 25	12	X	4	± 3	Side		-	122-0025
25 x 25	20	XY	4	± 3	Center		-	122-0035
25 x 25	20	XY	4	± 3	Side		-	122-0045
25 x 25	24	Z	3	± 3	Pivot		-	122-0047

Side micrometers are normally mounted on the left hand side of the stage. For **right hand** mounted micrometers **append -R**.

MANUAL POSITIONERS

Steel Extended Contact Bearing Stages

Stainless Steel Extended Contact Bearing Stages

Aluminum Stages

Rotation Stages

Goniometers

Rack & Pinion Dovetail Stages

Preset Dovetail Stages

Leadscrew Slides

Tilt Platforms

OEM Slides

Accessories

	Dimensions a x b (mm)	Height (mm)	Axes of Travel	Load Capacity (kg)	Travel (mm)	Micrometer Position	Price	PART NUMBER	PART NUMBER
	25 x 25	32.5	Z	1	±3	Bracket Side		-	122-0055
	25 x 25	57.5	XYZ	1	±3	Side		-	122-0056
	25 x 50	12	X	5	±6.5	Side		-	122-0028
Also Available (see web site for drawings)									
	100 x 100	20	X	60	±12.5	Center		-	122-0715
	100 x 100	20	X	60	±12.5	Side		-	122-0725
	100 x 100	34	XY	60	±12.5	Side		-	122-0735
	80 x 80	20	X	50	±12.5	Center		-	122-0615
	80 x 80	20	X	50	±12.5	Side		-	122-0625
	80 x 80	32	XY	50	±12.5	Center		-	122-0635
	80 x 80	32	XY	50	±12.5	Side		-	122-0645
	60 x 60	18	X	30	±6.5	Center		-	122-0515
	60 x 60	18	X	30	±6.5	Side		-	122-0525
	60 x 60	32	XY	30	±6.5	Center		-	122-0535
	60 x 60	32	XY	30	±6.5	Side		-	122-0545
	60 x 60	55	Z	15	±5	Pivot		-	122-0555
	60 x 60	80	Z	3	±6.5	Bracket Side		-	122-0565
	60 x 120	20	X	40	±20	Side		-	122-0825
	60 x 160	20	X	50	±35	Side		-	122-0845
	100 x 160	20	X	70	±35	Side		-	122-0835



ORDERING
&
TECHNICAL SUPPORT

(949) 851-5881

FAX (949) 851-5058

E-MAIL

sales@optosigma.com

WEB

www.optosigma.com

This selection of replacement micrometers provides an easy way to change the range or sensitivity of your opto-mechanical devices. Simply remove the existing micrometer and replace it with one of these for enhancement of positioning control.

