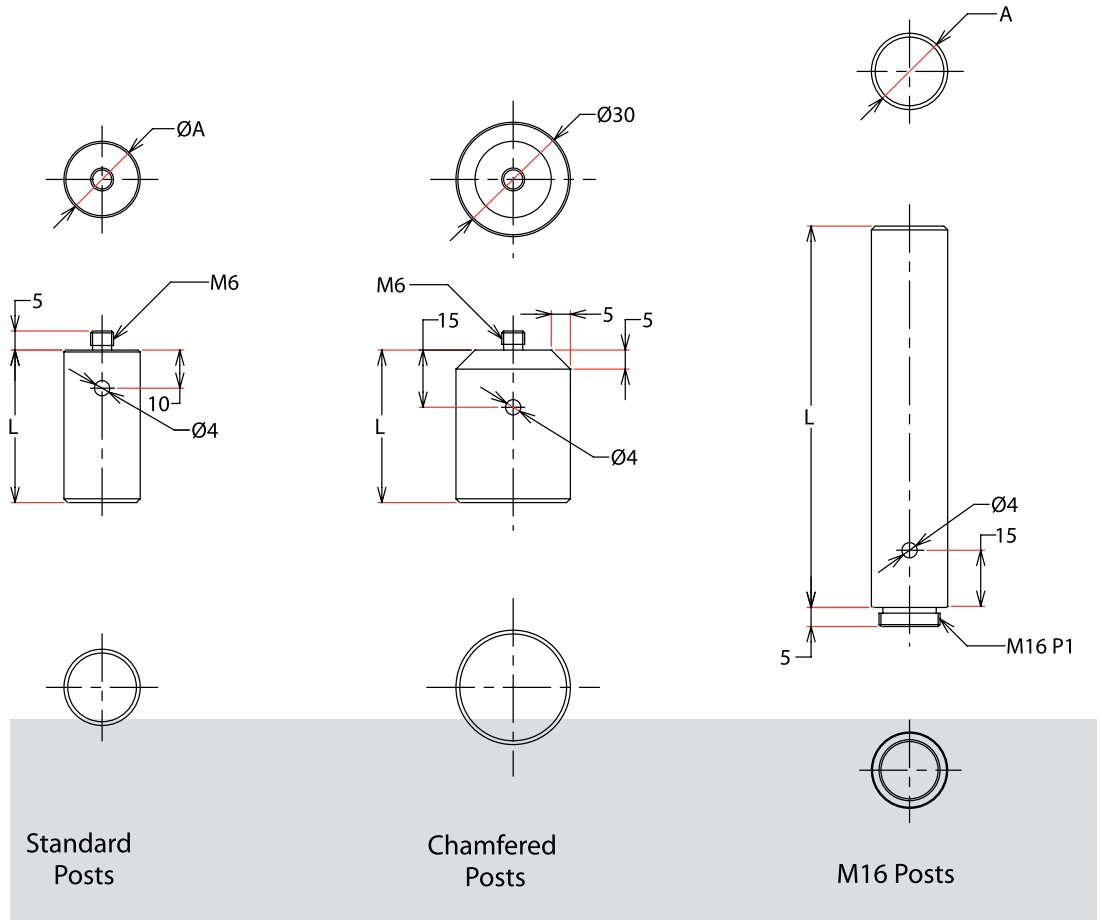


Metric Posts and Post Holders

- New Metric Posts 12, 20 and 30mm diameter
- Precision ground stainless steel posts
- Offered in wide range of lengths
- Post holders provide versatile mounting



Metric Posts

Item	Diameter (mm), ØA	Length (mm)	Price	PART NUMBER
Post	12	20		148-0110
Post	12	30		148-0112
Post	12	40		148-0114
Post	12	60		148-0116
Post	12	80		148-0118
Post	12	100		148-0120
Post	12	120		148-0122
Post	12	130		148-0124
Post	12	150		148-0126
Post	12	200		148-0128
Post	12	250		148-0130
Post	12	300		148-0132
Post	12	400		148-0134
Post	12	500		148-0136

ORDERING
 &
 TECHNICAL SUPPORT
 (949) 851-5881
 FAX (949) 851-5058
 E-MAIL
 sales@optosigma.com
 WEB
 www.optosigma.com



Metric Posts (continued)

Item	Diameter (mm), ØA	Length (mm)	Price	PART NUMBER
Post	20	20		148-0310
Post	20	30		148-0312
Post	20	40		148-0314
Post	20	60		148-0316
Post	20	80		148-0318
Post	20	100		148-0320
Post	20	120		148-0322
Post	20	130		148-0324
Post	20	150		148-0326
Post	20	200		148-0328
Post	20	250		148-0330
Post	20	300		148-0332
Post	20	400		148-0334
Post	20	500		148-0336
Post	30	40		148-0410
Post	30	60		148-0412
Post	30	80		148-0414
Post	30	100		148-0416
Post, Chamfer	30	40		148-0418
Post, Chamfer	30	60		148-0420
Post, Chamfer	30	80		148-0422
Post, Chamfer	30	100		148-0424
Post, M16 Base	12	100		148-0138
Post, M16 Base	12	120		148-0140
Post, M16 Base	12	150		148-0142
Post, M16 Base	12	200		148-0144
Post, M16 Base	12	250		148-0146
Post, M16 Base	12	300		148-0148
Post, M16 Base	12	400		148-0150
Post, M16 Base	12	500		148-0152
Post, M16 Base	20	100		148-0338
Post, M16 Base	20	120		148-0340
Post, M16 Base	20	150		148-0342
Post, M16 Base	20	200		148-0344
Post, M16 Base	20	250		148-0346
Post, M16 Base	20	300		148-0348
Post, M16 Base	20	400		148-0350
Post, M16 Base	20	500		148-0352

Mirror Mounts

Optic Holders

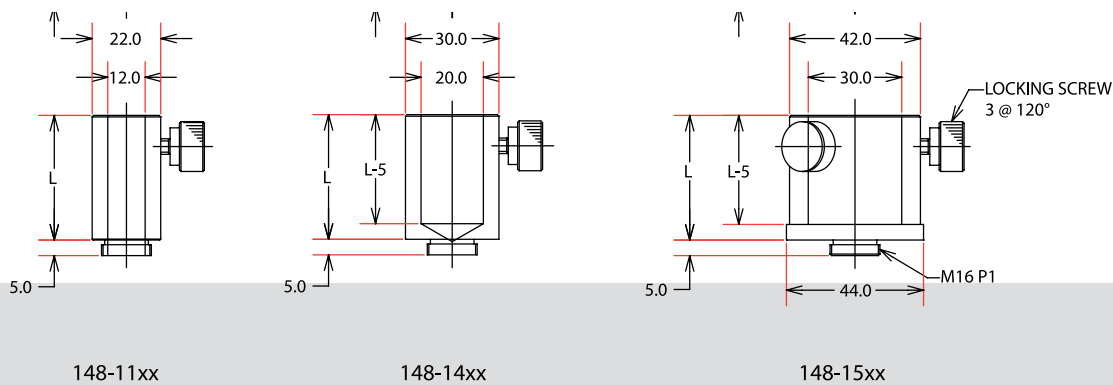
Optical Baseplates

Optical Rails and Carriers

Bases

Rod Mounting Systems

Post, Post Holders, Clamps

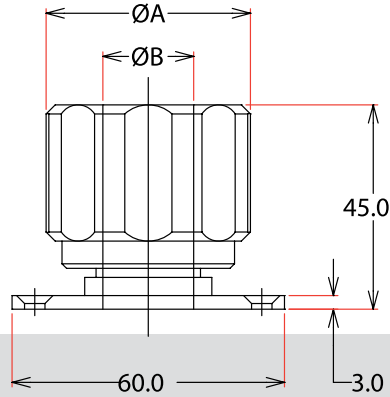
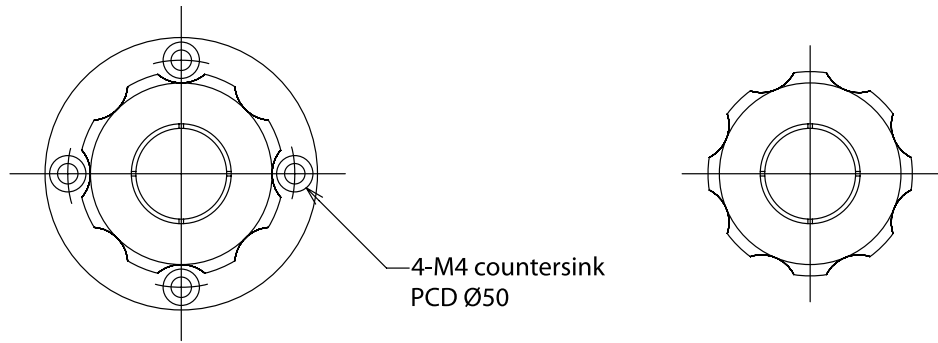


METRIC POST HOLDERS

ORDERING
&
TECHNICAL SUPPORT
(949) 851-5881
FAX (949) 851-5058
E-MAIL
sales@optosigma.com
WEB
www.optosigma.com

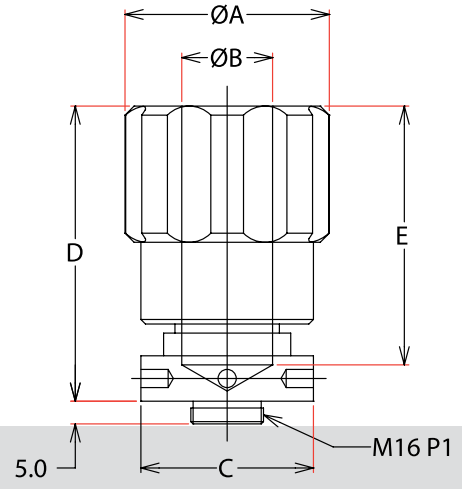
- Mirror Mounts
- Optic Holders
- Optical Baseplates
- Optical Rails and Carriers
- Bases
- Rod Mounting Systems

Post, Post Holders, Clamps

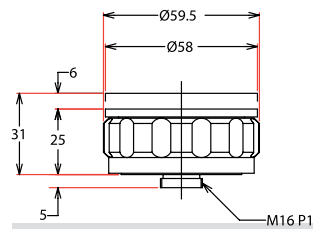
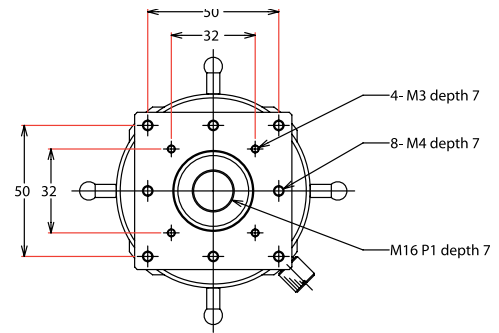
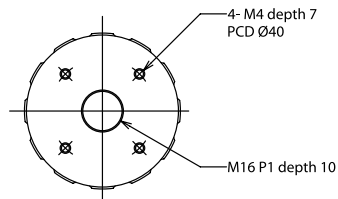


148-17x0

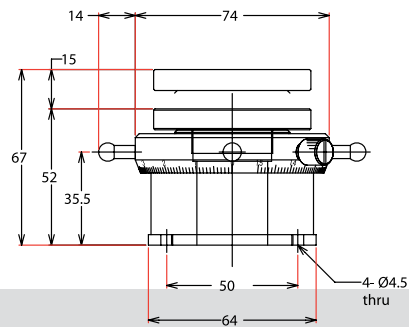
COLLETTE POST HOLDER



148-17x5



148-1680



148-1690

VARIABLE POST HOLDER

ORDERING
&
TECHNICAL SUPPORT

(949) 851-5881

FAX (949) 851-5058

E-MAIL

sales@optosigma.com

WEB

www.optosigma.com



Metric Post Holders

Item	Post Diameter (mm)	Length (mm)	Price	PART NUMBER
Post Holder	12	30		148-1100
Post Holder	12	35		148-1105
Post Holder	12	40		148-1110
Post Holder	12	45		148-1115
Post Holder	12	50		148-1120
Post Holder	12	55		148-1125
Post Holder	12	60		148-1130
Post Holder	12	80		148-1135
Post Holder	12	100		148-1140
Post Holder	12	120		148-1145
Post Holder	12	130		148-1150
Post Holder	20	30		148-1400
Post Holder	20	35		148-1405
Post Holder	20	40		148-1410
Post Holder	20	45		148-1415
Post Holder	20	50		148-1420
Post Holder	20	55		148-1425
Post Holder	20	60		148-1430
Post Holder	20	80		148-1435
Post Holder	20	100		148-1440
Post Holder	20	120		148-1445
Post Holder	20	130		148-1450
Post Holder	30	40		148-1500
Post Holder	30	60		148-1505
Post Holder	30	100		148-1510
Post Holder, Collet, Flange Base	12	45		148-1700
Post Holder, Collet, M6 Base	12	60		148-1705
Post Holder, Collet, Flange Base	20	45		148-1710
Post Holder, Collet, M6 Base	20	65		148-1715
Variable Post Holder	12	70.0-80.0		148-1640
Variable Post Holder	20	70.0-80.0		148-1670
Variable Post Holder	-	0 - 6		148-1680
Variable Post Holder	-	0 - 15		148-1690

- Mirror Mounts
- Optic Holders
- Optical Baseplates
- Optical Rails and Carriers
- Bases
- Rod Mounting Systems
- Post, Post Holders, Clamps**

ORDERING
&
TECHNICAL SUPPORT
(949) 851-5881
FAX (949) 851-5058
E-MAIL
sales@optosigma.com
WEB
www.optosigma.com

