

All of our optical bases are available from stock and can be shipped to you the same day that your order is placed.

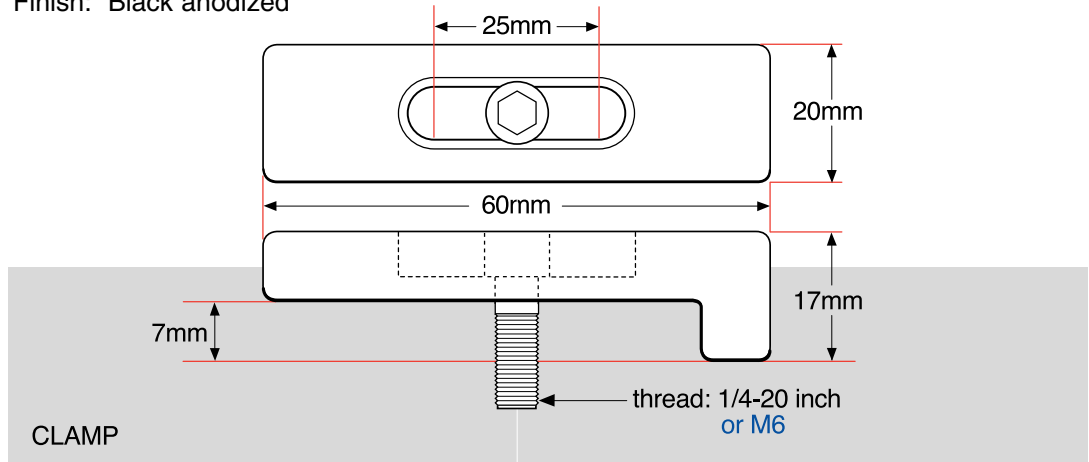
## Base Clamps

This clamp may be used to secure a base or other object onto an optical breadboard or table. It has a long slot for flexibility of positioning and a cap screw which allows for easy clamping and removal. Both 1/4-20 and M6 screws are offered. Clamps and screws are offered individually or, more economically as a set of ten pieces.



## Specifications & Tolerances

Dimensions:  $\pm 0.2\text{mm}$   
 Material: Aluminum  
 Finish: Black anodized



ORDERING  
&  
TECHNICAL SUPPORT  
(949) 851-5881  
FAX (949) 851-5058  
E-MAIL  
sales@optosigma.com  
WEB  
www.optosigma.com



## Base Clamps

		INCH	METRIC
Item	Price	PART NUMBER	PART NUMBER
Clamp with screw		149-0040	149-0045
Clamp with screw (set of 10)		149-0042	149-0047