

Fixed Bases

- Easy, flexible mounting of stages, posts and other accessories
- Adjustable positioning by means of slotted mounts
- Three sizes to suit standard stages
- Three types to suit post holders



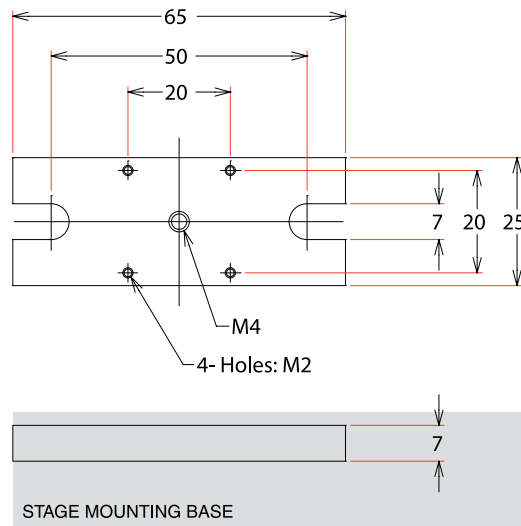
These anodized aluminum mounting plates match the hole patterns on our standard positioning stages as well as being compatible with other, industry standard, products. They may be mounted directly onto an optical table, breadboard or a selection of alternate surfaces. The mounting slots accept both 1/4-20 and M6 screws to provide for positioning flexibility. Three sizes are offered to suit the standard range of OptoSigma stages (see pages 346-429). We also offer bases to facilitate flexible positioning of posts and other accessories. A 1/4-20 or M6 cap screw may be used to attach the base to the accessory.

Specifications & Tolerances

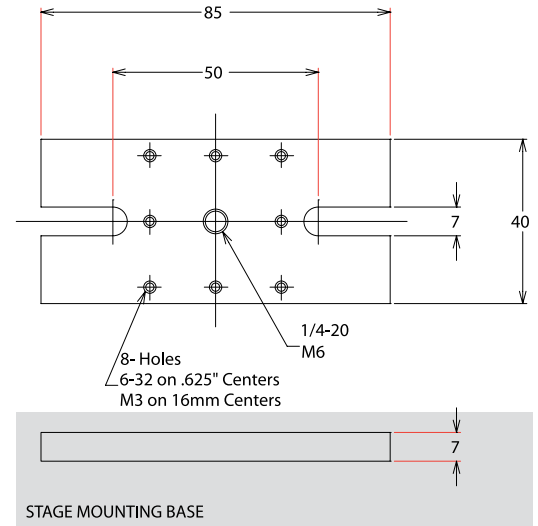
Dimensions: $\pm 0.2\text{mm}$
 Finish: Black anodized

Material: Aluminum

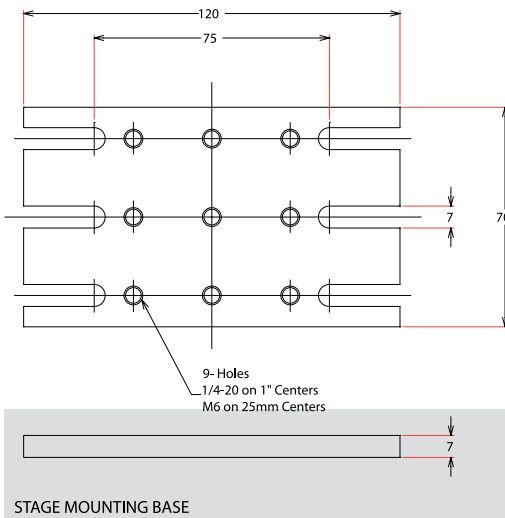
Part No. 147-0415



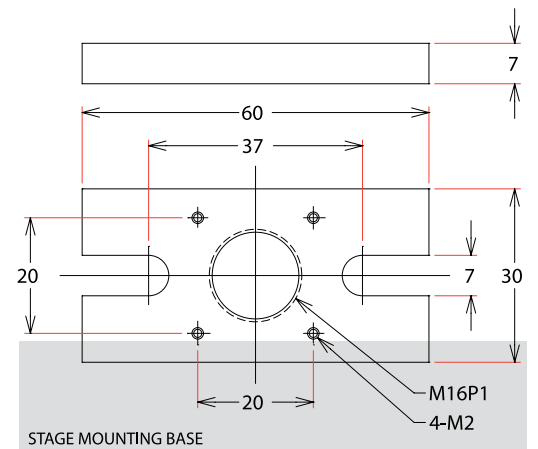
Part No. 147-0420/0425



Part No. 147-0430/0435



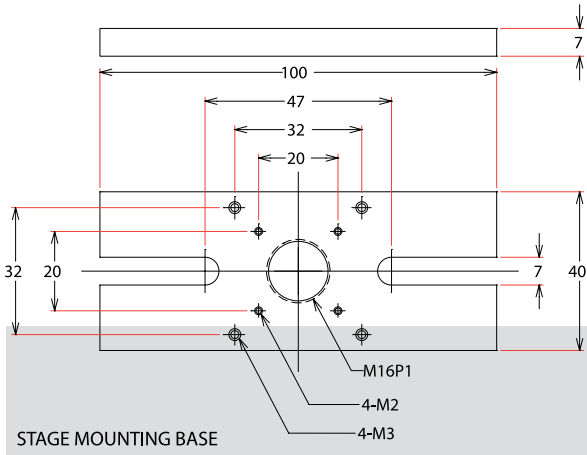
Part No. 147-0416



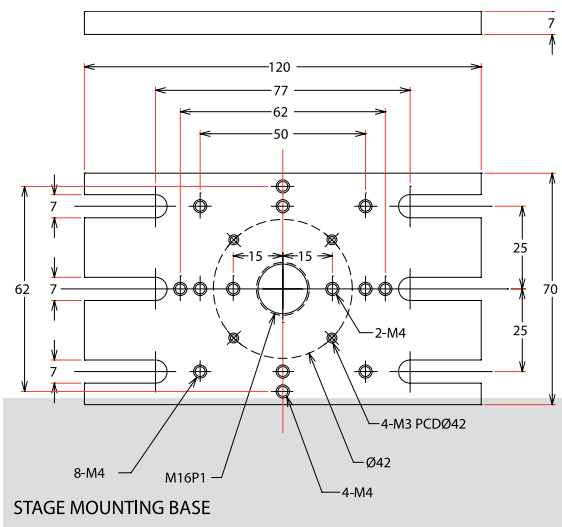
ORDERING
 &
 TECHNICAL SUPPORT
 (949) 851-5881
 FAX (949) 851-5058
 E-MAIL
 sales@optosigma.com
 WEB
 www.optosigma.com



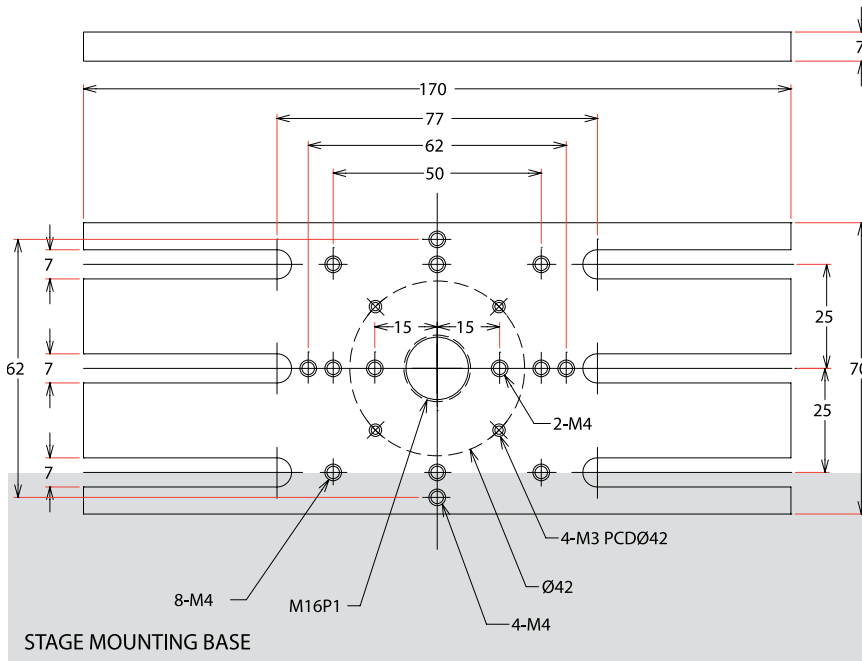
Part No. 147-0426



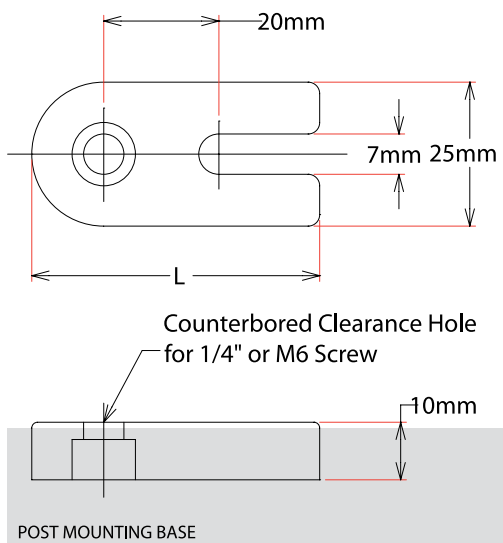
Part No. 147-0436



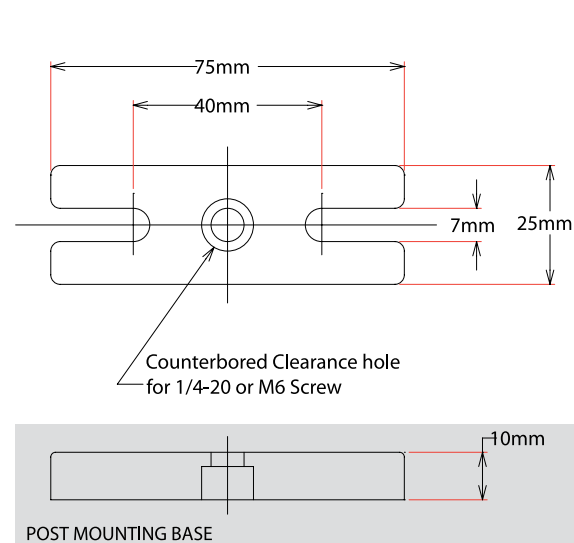
Part No. 147-0437



Part No. 147-0441/042



Part No. 147-0443



OPTO-MECHANICS

Mirror Mounts

Optic Holders

Optical Baseplates

Optical Rails and Carriers

Bases

Rod Mounting Systems

Post, Post Holders, Clamps

Fixed Bases for Stages

INCH

METRIC

Dimensions (mm)	Thickness, t (mm)	For use with stage size:	Price	PART NUMBER	PART NUMBER
65 x 25	7	25mm		-	147-0415
60 x 30	7	25mm			147-0416
85 x 40	7	40mm		147-0420	147-0425
100 x 40	7	40mm			147-0426
120 x 70	7	65mm		147-0430	147-0435
120 x 70	7	60mm			147-0436
170 x 70	7	60mm			147-0437

Fixed Bases for Post Holders

Length, L (mm)	Thickness, t (mm)	Price	PART NUMBER
50	10		147-0441
65	10		147-0442
75	10		147-0443