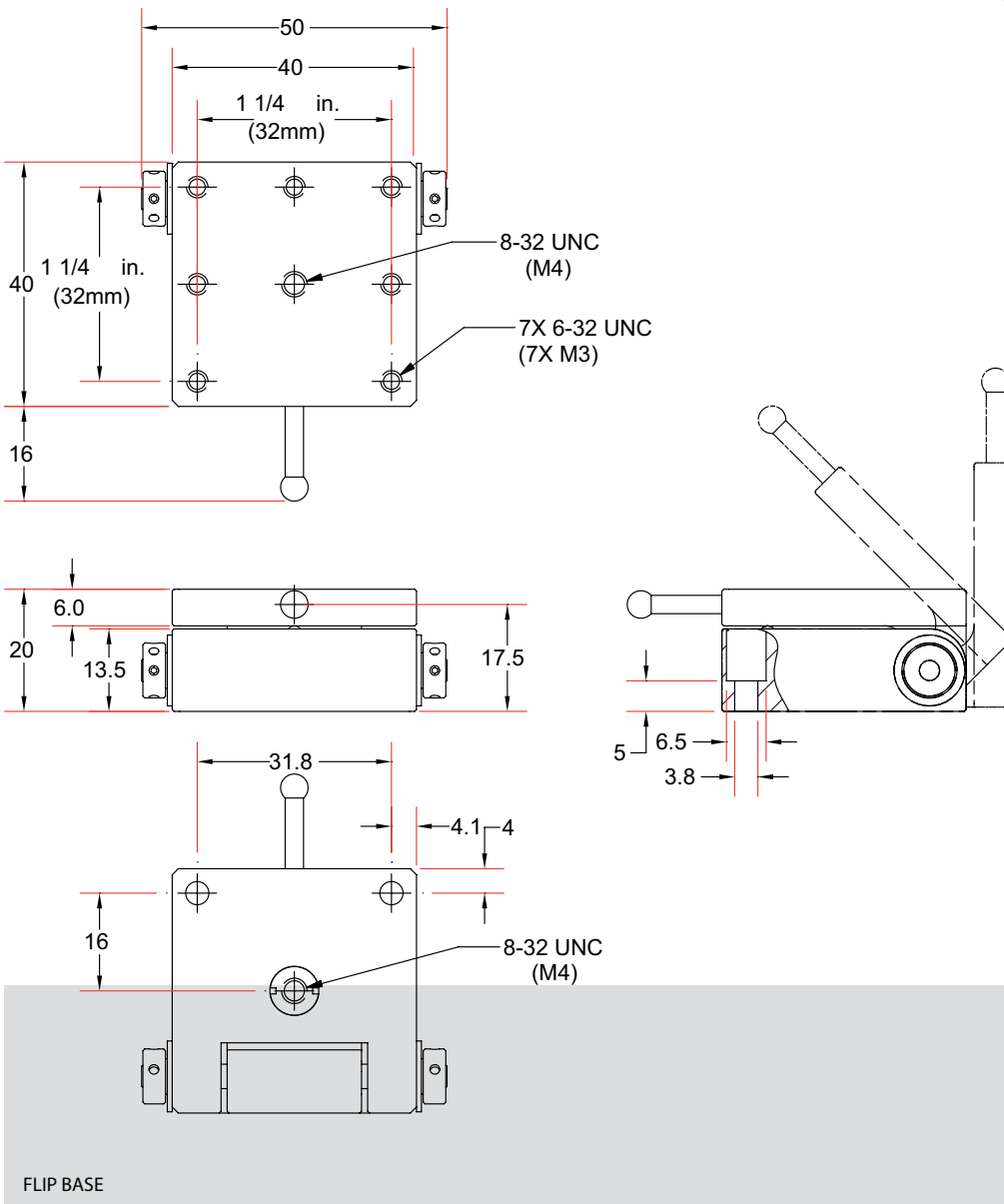


# Flip Base

- Compact base for moving optical mounts into and out of an optical path.
- Unsurpassed repeatability of 5 arcsec (25µrad) to minimize beam deviation.
- Can be mounted onto either post holders or base plates.
- Spring loaded, no magnets.
- Available in inch or metric hole pattern.



- Mirror Mounts
- Optic Holders
- Optical Baseplates
- Optical Rails and Carriers
- Bases**
- Rod Mounting Systems
- Post, Post Holders, Clamps



## Flip Base

| Repeatability (arcsec) | Repeatability (µrad) | Price | INCH        | METRIC      |
|------------------------|----------------------|-------|-------------|-------------|
|                        |                      |       | PART NUMBER | PART NUMBER |
| 5                      | 25                   |       | 147-0570    | 147-0575    |

ORDERING & TECHNICAL SUPPORT  
 (949) 851-5881  
 FAX (949) 851-5058  
 E-MAIL sales@optosigma.com  
 WEB www.optosigma.com

