

Magnetic Bases

- Convenient switchable magnets
- High holding force
- Low profile
- Inch and metric hole patterns



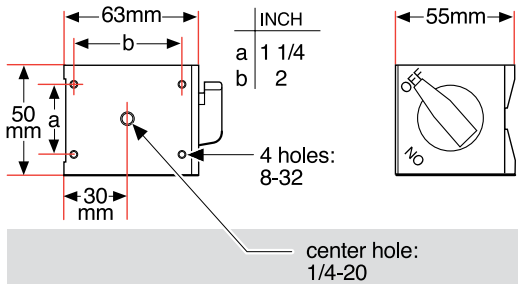
- Mirror Mounts
- Optic Holders
- Optical Baseplates
- Optical Rails and Carriers
- Bases**
- Rod Mounting Systems
- Post, Post Holders, Clamps

Switchable magnets allow flexibility in positioning. They may be used to mount an optical component at any convenient position on an optical table. Once in place the magnet is switched on to keep the component in place. These magnets have a high holding force which may be used for permanent or temporary mounting.

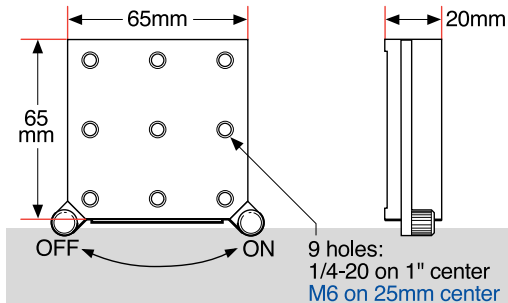
We offer a simple, inexpensive, magnetic base which will accept a standard mounting post as well as a low profile version which may be used to mount stages and other mechanisms. The low profile version is offered with inch or metric hole patterns.

Specifications & Tolerances

Dimensions: ±0.5mm
 Material: Steel and Aluminum
 Finish: Blackened



center hole: 1/4-20
MAGNETIC BASE



9 holes: 1/4-20 on 1" center
 M6 on 25mm center
LOW PROFILE MAGNETIC BASE

Magnetic Bases

Dimensions, (mm)	Height (mm)	Holding Force (KgF)	Price	INCH		METRIC	
				PART NUMBER	PART NUMBER	PART NUMBER	PART NUMBER
40 x 40	35	20		-	147-0315	-	147-0315
40 x 40	20	5		-	147-0325	-	147-0325
63 x 50	55	30		147-0330	-	-	-
65 x 65	20	20		147-0340	-	147-0345	147-0345
120 x 120	25	30		-	-	147-0375	147-0375

ORDERING & TECHNICAL SUPPORT
 (949) 851-5881
 FAX (949) 851-5058
 E-MAIL sales@optosigma.com
 WEB www.optosigma.com

