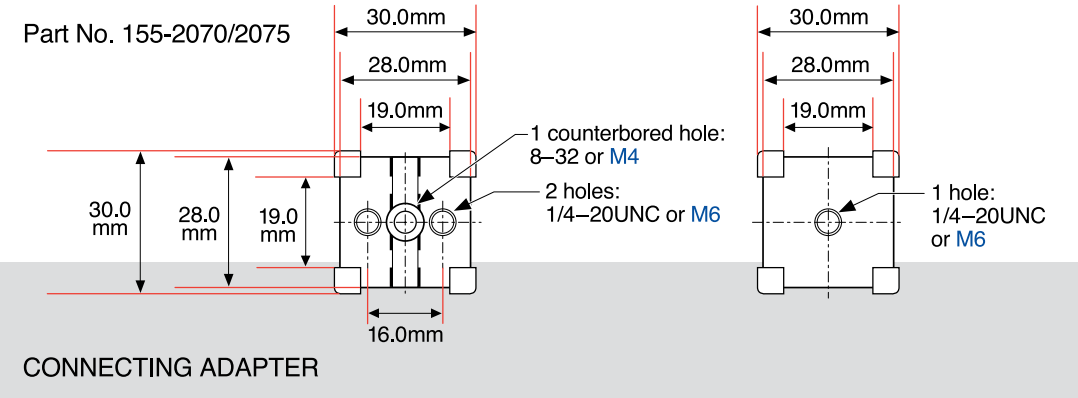
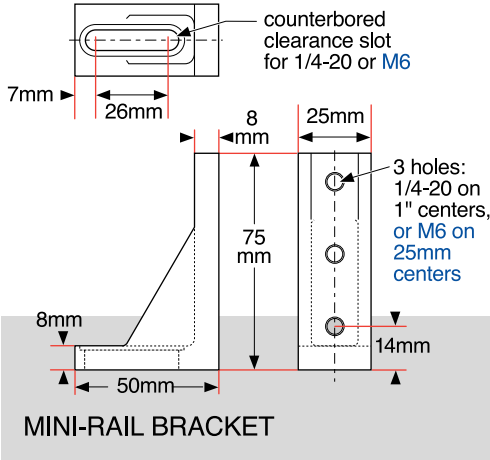




**Specifications & Tolerances**

Dimensions: ±0.2mm Material: Aluminum  
Finish: Black anodized



**Mini-Bracket and Connecting Adapter**

Item	Price	PART NUMBER
Mini-rail bracket, inch		155-0250
Mini-rail bracket, metric		155-0255
Mini-rail cube, inch		155-2070
Mini-rail cube, metric		155-2075

**Mini-Washers**

Mini-washers are used to allow the mounting of the larger clearance holes (1/4-inch) to the M2 mounting holes and M6 to M4 mounting holes. The washers have a top-hat structure that assures a precise location of the screws.



**Mini-Washers**

Item	For	Price	PART NUMBER
Mini-washers (pack of 10)	1/4-inch to M2 holes		199-0110
Mini-washers (pack of 10)	M6 to M4 holes		199-0115

A tool kit and selection of screws and washers for the mini-system is listed on page 308.

The combination of wrenches and screwdrivers will provide you with all of the necessary tools for the complete mini-system in one convenient container. And the extra screws and washers will be found to be useful for replacing those small items which seem to be inexplicably lost.

ORDERING & TECHNICAL SUPPORT  
(949) 851-5881  
FAX (949) 851-5058  
E-MAIL sales@optosigma.com  
WEB www.optosigma.com

