

- Mirror Mounts
- Optic Holders
- Optical Baseplates
- Optical Rails and Carriers**
- Bases
- Rod Mounting Systems
- Post, Post Holders, Clamps

## Mini-Rails and Carriers

These are blackened aluminum dovetail rails of 19mm width and various lengths. The height of the rail surface above the base is 10mm. Mini-rails can be mounted onto the mini-baseplates provided special washers are used to accommodate the smaller screw size. They can also be mounted directly onto a standard 1/4-20 or M6 hole pattern.

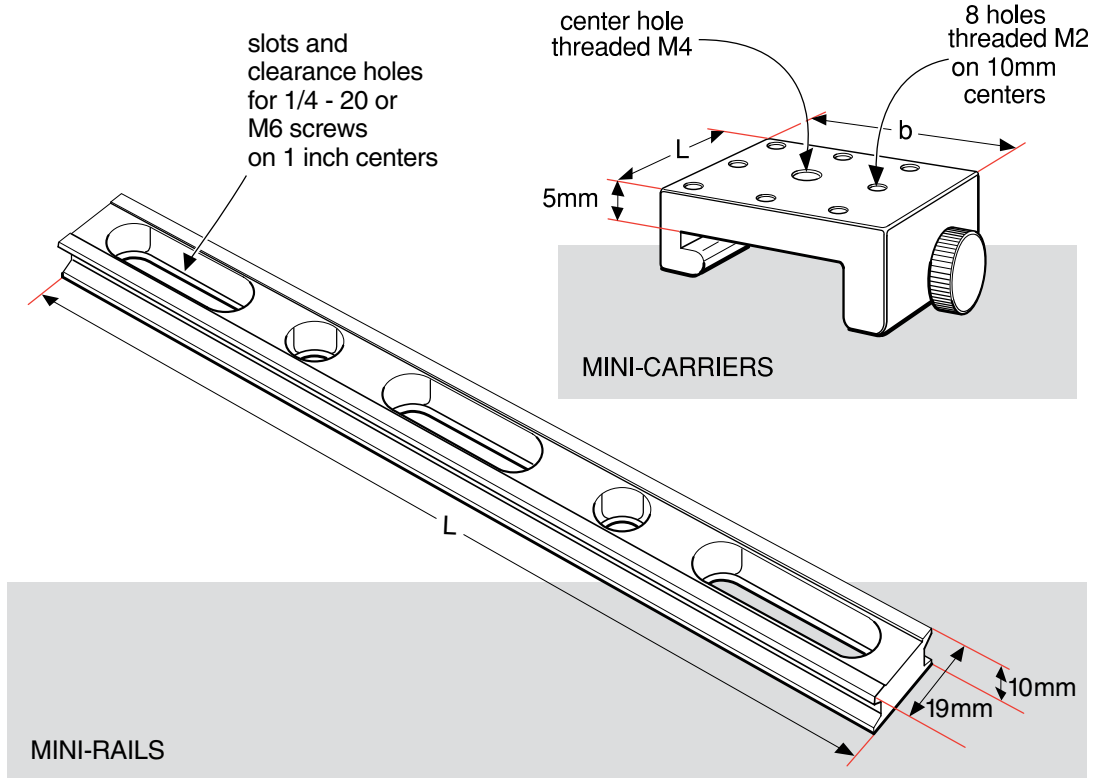


Along the length of the mini-rail there are a series of interspersed counterbored clearance holes and slots on one inch centers which will accept a 1/4-20 or M6 cap screw. By this means the mini-rails can be bolted to a conventional optical mounting system. By using the washers which we supply, M2 screws can be used to bolt the mini-rails to the mini-baseplates. A mini-rail bracket is also offered for vertical or angled mounting of mini-rails and a cube for combining rails.

Mini-carriers are manufactured from an aluminum extrusion. They have a lip which latches over the mini-rails and a screw clamp on the opposite side. When mounted they have a flat surface which is parallel to the base and 5mm above the top of the mini-rail (15mm above the base). Two lengths are offered, 14mm and 25mm. The short version is convenient for close mounting of components, whereas the longer version is more suitable for mounting mini-stages.

### Specifications & Tolerances

Dimensions:  $\pm 0.2\text{mm}$   
 Material: Aluminum  
 Finish: Black anodized



ORDERING  
&  
TECHNICAL SUPPORT  
(949) 851-5881  
FAX (949) 851-5058  
E-MAIL  
sales@optosigma.com  
WEB  
www.optosigma.com

### Mini-Rails and Carriers

Item	Width, b (mm)	Length, L (Inches)	Length, L (mm)	Price	PART NUMBER
Mini-rail	-	1.97	50.0		155-0110
Mini-rail	-	4.72	120.0		155-0120
Mini-rail	-	7.87	200.0		155-0130
Mini-rail	-	11.81	300.0		155-0140
Mini-carrier	30.0	0.47	12.0		155-0220
Mini-carrier	30.0	0.98	25.0		155-0230

