

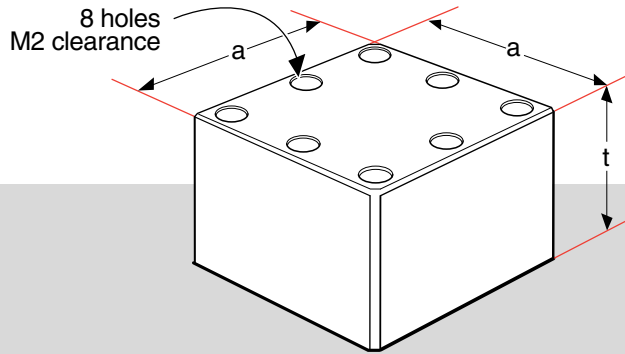
Mini-Spacers



Spacers to take up height differences. 25mm square with M2 clearance holes on 20mm square pattern. 5, 10 and 15mm thick. Black anodized aluminum.

Mini-Spacers

Thickness, t (mm)	Side, a (mm)	Price	PART NUMBER
5	25		199-0220
10	25		199-0222
15	25		199-0224



Extra screws and washers will be found to be useful for replacing those small items which seem to be inexplicably lost.

Mini-System Screw and Tool Kit

Our Mini-System Screw and Tool Kit includes M2 screws 20 each of 4, 6, 8, 10, 12, 16 and 18mm length, mini-washers (10), wrenches for M1, M2, M3, M4 screws (1 each), small screwdrivers, flat blade (1) and philips (1) in a convenient storage box.

Mini-System Screw and Tool Kit

Thickness, t (mm)	Price	PART NUMBER
Mini-System Screw & Tool Kit		199-0130
M2 Screw Set		199-0135



Mini-Washers

Item	Price	PART NUMBER
Mini-washers (pack of 10)		199-0110



Preset-Wrench Set

Item	Price	PART NUMBER
Preset-Wrench Set		199-0125