

# Beam Dumps

- Absorb laser beams while not in use
- Block unwanted beams
- Two sizes cover most laser types

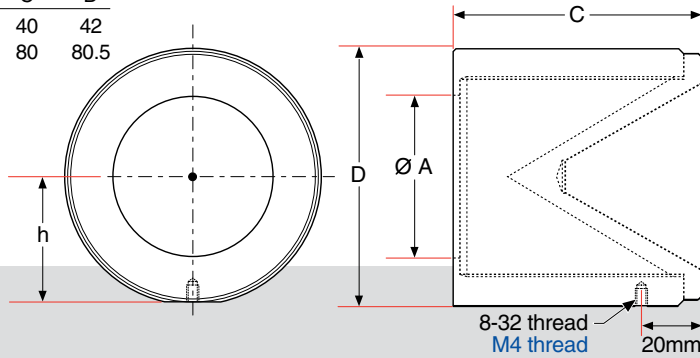


Laser beams passing into the aperture of these beam dumps are quickly dissipated and absorbed within the body of the dump. A ribbed conical design ensures that incident laser energy will not emerge to interfere with wanted parts of the beam or to cause inadvertent damage. Two sizes, 10mm and 52mm cover most laser beam sizes. The bases are threaded 8-32 or M4 for attachment to posts or pedestals.

## Specifications & Tolerances

Dimensions: ±0.2mm      Material: Aluminum  
 Finish: Black anodized

Product No.	— Dimensions (mm) —			
	h	A	C	D
119-0770/0775	20.0	10	40	42
119-0780/0785	40.0	52	80	80.5



BEAM DUMP

## Beam Dumps

Diameter, D (inches) (mm)	Aperture, A (mm)	Center Height, h (mm)	Max Power (watts)	Price	INCH	METRIC
					PART NUMBER	PART NUMBER
1.65	42.0	10	10		119-0770	119-0775
3.19	80.5	52	25		119-0780	119-0785

ORDERING & TECHNICAL SUPPORT  
 (949) 851-5881  
 FAX (949) 851-5058  
 E-MAIL sales@optosigma.com  
 WEB www.optosigma.com

