

## Adjustable Slit

- Mechanical slit jaws held precisely in line
- Slit width continuously adjustable
- Calibrated drive
- Slit length adjustable from 0 to 24mm

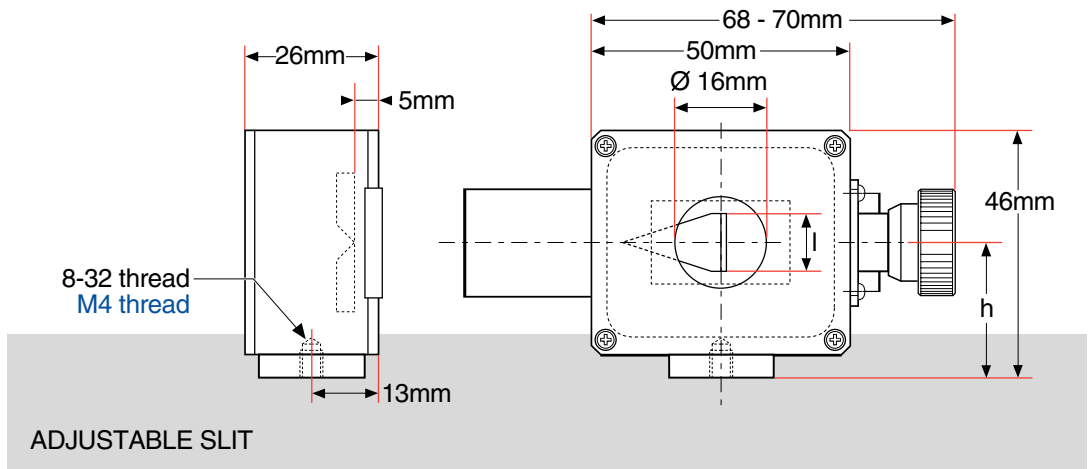


## Specifications & Tolerances

Dimensions:  $\pm 0.2\text{mm}$

Material: Aluminum, stainless steel & brass

Finish: Black anodized & chrome



ORDERING  
&  
TECHNICAL SUPPORT

(949) 851-5881  
FAX (949) 851-5058

E-MAIL  
sales@optosigma.com

WEB  
www.optosigma.com

## Adjustable Slit

Slit Width, w (mm)	Slit Length, l (mm)	Center Height, h (mm)	Price	INCH	METRIC
				PART NUMBER	PART NUMBER
0 - 4	0 - 12	25.0		118-0110	118-0115
0 - 6	0 - 24	44.5		-	118-0121