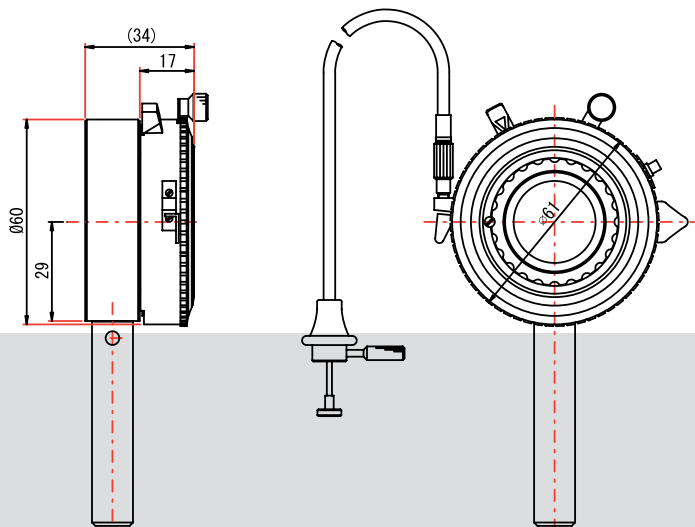


Mechanical Timer Shutter

- Mechanical shutter used to open and close the laser beam optical path
- Selectable shutter speeds, T, B, 1, 1/2, 1/4, 1/8, 1/15, 1/30, 1/60, 1/125, 1/250, 1/500
- With T, selected the shutter opens when the release is pressed and closes when the release is pressed again.
- With B, selected the shutter opens when the release is held down.
- Aperture diameter 24mm maximum and 1.5mm minimum.



MECHANICAL SHUTTER

Mechanical Timer Shutter

Aperture Diameter, A (mm)	Shutter Speed (second)	Number of Blades	Price	PART NUMBER
1.5 - 24	T, B, 1, 1/2-1/500	5		118-0151

ORDERING & TECHNICAL SUPPORT
 (949) 851-5881
 FAX (949) 851-5058
 E-MAIL sales@optosigma.com
 WEB www.optosigma.com

