

Mini-Iris Diaphragm

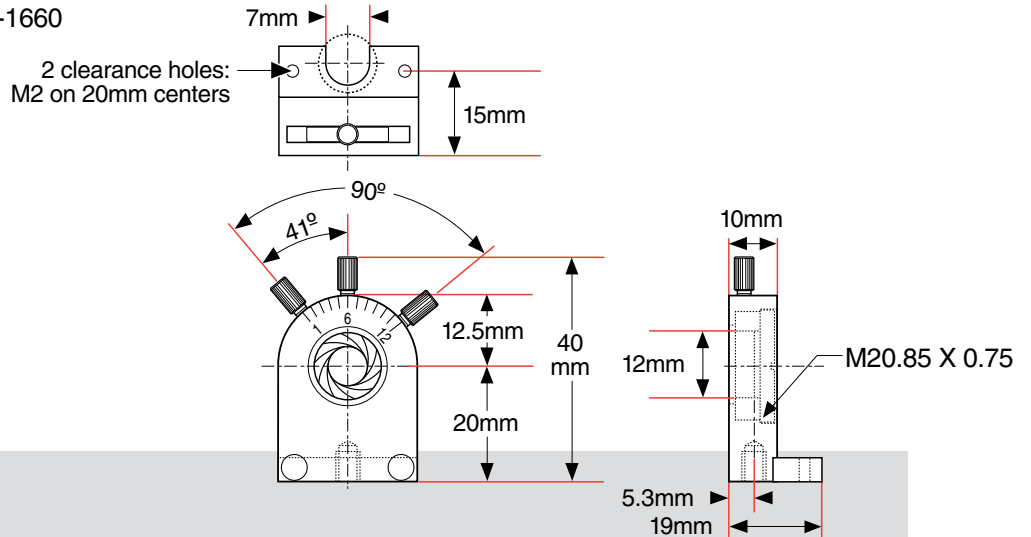
A mini-iris holder is offered complete with the iris installed. It can be supplied either rod or base mounted. A clampable lever at the top can be rotated through 90 degrees to alter the iris aperture continuously from 1 to 12mm. The iris has hardened and blackened leaves.

Specifications & Tolerances

Dimensions: $\pm 0.2\text{mm}$
 Clear aperture: 1 to 12mm
 Optical centerline: 20mm
 Rod length: 20mm
 Material: Aluminum
 Finish: Black anodized



Part No. 155-1660



MINI-IRIS DIAPHRAGM

ORDERING
 &
 TECHNICAL SUPPORT
 (949) 851-5881
 FAX (949) 851-5058
 E-MAIL
 sales@optosigma.com
 WEB
 www.optosigma.com

Mini-Iris Diaphragms

Clear Aperture, A (mm)	Mounting	Price	PART NUMBER
1.0 - 12.0	Base		155-1660
1.0 - 12.0	Post		155-1670

