

Mounted Iris Diaphragms

- Continuously adjustable aperture stops
- Aperture calibrated in millimeters
- Lockable at any position
- 8, 12, 15, 22, 36 and 50mm sizes



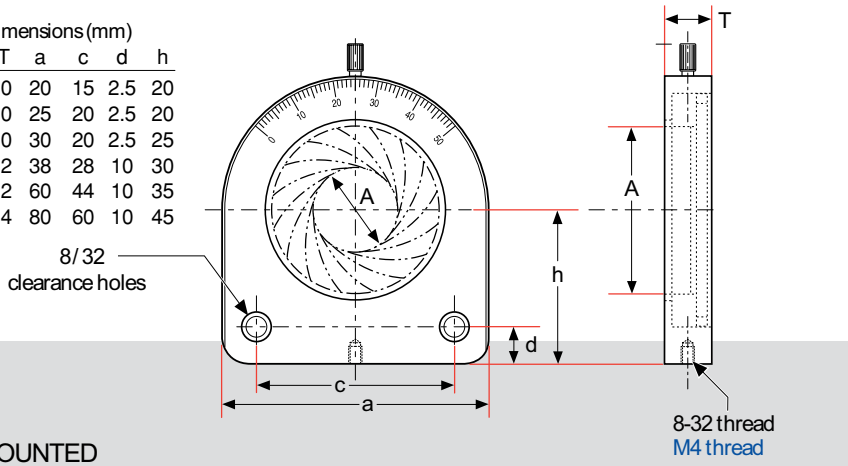
Iris provide the simplest means of controlling the aperture of an optical system. These iris diaphragms are mounted in housings and calibrated in terms of aperture diameter in millimeters. The aperture may be continuously adjusted and then locked in position by means of the clamp screw. Three sizes cover the majority of beam sizes in common use.

For a wide range of unmounted irises suitable for OEM applications see page 240.

Specifications & Tolerances

Dimensions: ±0.2mm
 Material: Aluminum
 Finish: Black anodized

Part No.	Dimensions (mm)					
	A	T	a	c	d	h
118-0021	8	10	20	15	2.5	20
118-0022	12	10	25	20	2.5	20
118-0023	15	10	30	20	2.5	25
118-0030/0035	22	12	38	28	10	30
118-0040/0045	36	12	60	44	10	35
118-0050/0055	50	14	80	60	10	45



IRIS DIAPHRAGM MOUNTED

Mounted Iris Diaphragms

			INCH	METRIC
Aperture Travel, A (mm)	Center Height, h (mm)	Price	PART NUMBER	PART NUMBER
0.7 - 8	20		-	118-0021
0.8 - 12	20		-	118-0023
0.9 - 15	25		-	118-0024
0.9 - 22	30		118-0030	118-0035
1.3 - 36	35		118-0040	118-0045
1.5 - 50	45		118-0050	118-0055

ORDERING & TECHNICAL SUPPORT
 (949) 851-5881
 FAX (949) 851-5058
 E-MAIL sales@optosigma.com
 WEB www.optosigma.com

