

Filter Holders

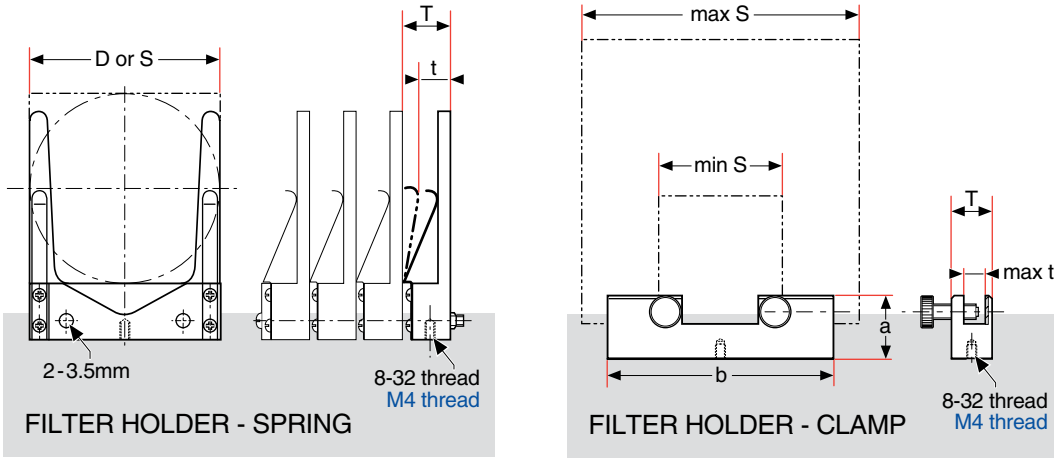
- Spring clip and clamp type
- For single and multiple filters
- For filters from 1inch to 80mm

These simple holders can be used to hold filters, diffusers, glass plates or any flat component. They do not have any adjustment capability. The spring clip-type is best if you need to remove or change the filter frequently and is most suitable for round filters. This type is offered for single filters and as a stack to hold up to four filters. The clamp-type is better for permanent applications and for square filters. It is only offered for single filters. The base of the holders are threaded 8-32 or M4 for inch or metric post or pedestal base mounting.



Specifications & Tolerances

Dimensions: ±0.2mm
 Material: Aluminum
 Finish: Black anodized



Filter Holders

| Type | To Hold Filter | | Filter Thickness, t (mm) | Holder Thickness, T (mm) | Price | INCH | METRIC |
|------------------|-------------------------------------|--------------|----------------------------|----------------------------|-------|-------------|-------------|
| | Diameter, D or Side, S (inches) | (mm) | | | | PART NUMBER | PART NUMBER |
| 1 Filter, Spring | 1.00 | 25.0 or 25.4 | 1 - 5 | 10 | | 115-1310 | 115-1315 |
| 4 Filter, Spring | 1.00 | 25.0 or 25.4 | 1 - 5 | 40 | | 115-1320 | 115-1325 |
| 1 Filter, Spring | 2.00 | 50.0 or 50.8 | 1 - 5 | 12 | | 115-1350 | 115-1355 |
| 4 Filter, Spring | 2.00 | 50.0 or 50.8 | 1 - 5 | 48 | | 115-1360 | 115-1365 |
| Clamp | 0.39-1.18 | 10.0-30.0 | 3 - 5 | 12 | | 115-1370 | 115-1375 |
| Clamp | 1.50-3.15 | 38.1-80.0 | 1 - 7 | 15 | | 115-1380 | 115-1385 |