

Filter Wheels

- Convenient mount holds up to 12 filters
- Detent indexing for fast positioning
- Double and single wheels for improved versatility



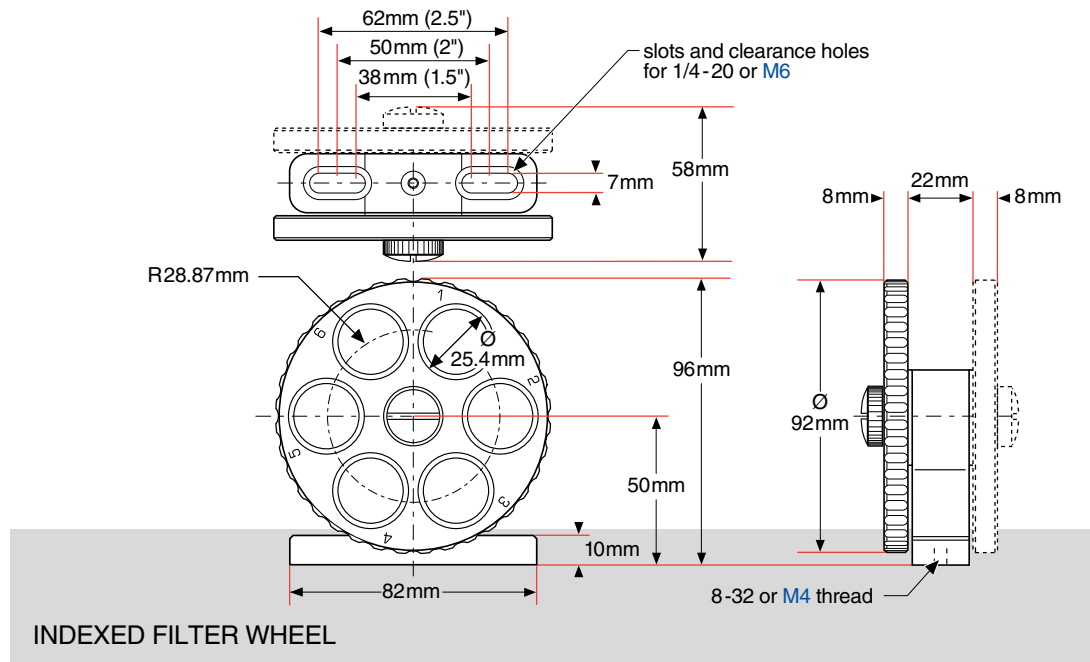
Our new indexed filter wheels may be used to position a selection of filters. Each filter wheel holds six, 1 inch (25mm) filters and is mechanically indexed with detents for ease of adjustment. The 2-wheel version will hold as many as 12 filters and the 1-wheel version will hold up to 6 filters.

These filter wheels may also be purchased complete as a neutral density filter set. For detailed filter wheel ordering information with mounted ND filters, please turn to page 220.

Specifications & Tolerances

Dimensions: ±0.2mm
 Finish: Black anodized
 Material: Aluminum

Part No. 115-1211/1216/1221/1226



Indexed Filter Wheels

Description	ND Filter Diameter		Density	Price	INCH	METRIC
	(inches)	(mm)			PART NUMBER	PART NUMBER
Single Filter Wheel with Filters	1.0	25.4	0.00 - 0.50		115-1210	115-1215
Single Filter Wheel without Filters	1.0	25.4	None		115-1211	115-1216
Double Filter Wheel with Filters	1.0	25.4	0.00 - 3.00		115-1220	115-1225
Double Filter Wheel without Filters	1.0	25.4	None		115-1221	115-1226