

Mini-Polarizer Holders

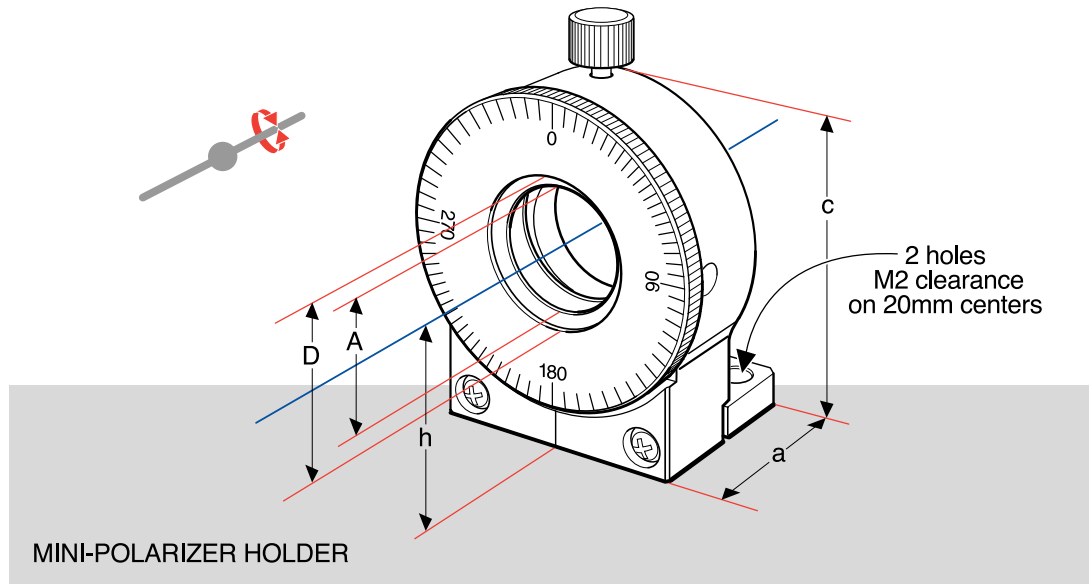
Mini-polarizer holders are available for 10mm and 15mm diameter polarizers. These incorporate a 360 degree clampable rotation facility. The polarizers are held in place by a retaining ring.



Specifications & Tolerances

Dimensions: $\pm 0.2\text{mm}$
 Maximum thickness: 6mm
 Range: 360°

Material: Aluminum
 Rod length: 20mm
 Finish: Black anodized



Mini-Polarizer Holders

To Hold Polarizer Diameter, D (inches) (mm)	Clear Aperture, A (mm)	Mounting	Size a x c (mm x mm)	Center Height, h (mm)	Price	PART NUMBER
0.39	10.0	Base	20.5 x 28.0	15.0		155-1550
0.39	10.0	Post	20.5 x 28.0	15.0		155-1560
0.59	15.0	Base	20.5 x 33.0	20.0		155-1570
0.59	15.0	Post	20.5 x 33.0	20.0		155-1580

ORDERING & TECHNICAL SUPPORT
 (949) 851-5881
 FAX (949) 851-5058
 E-MAIL sales@optosigma.com
 WEB www.optosigma.com

