

## Polarizer Holders

- Hold most types of polarizers securely
- Permit 360 degree rotation about the optical axis
- Micrometer version provides high sensitivity
- Lockable
- Range of adapters for Glan polarizers



The most common requirement for polarizers is to rotate them about the optical axis. Sometimes it is only necessary to set them at the correct orientation but in some applications it is necessary to rotate the polarizer during use.

Our polarizer holders are available in two configurations. Micrometer driven polarizer holders offer high precision adjustment for the most demanding polarization rotation applications. The micrometer drive version provides continuous 360 degree coarse adjustment and 10 degrees of fine micrometer adjustment. Lever type polarizer rotators are suitable for less precise applications. Simply grasp the lever protruding from the side of the holder to rotate and set the polarizer angle, while maintaining the axis on the optical centerline. Once in place the angle can be locked by using the clamp screw.

Both types of holders are offered for 20, 30 and 50mm diameter polarizers or waveplates. Adapters are available for most common mica and calcite polarizers. The base of the holders are threaded 8-32 or M4 for use with our post and post holder or pedestal base mounting systems.

### Specifications & Tolerances

Micrometer and Lever arm: Dimensions:  $\pm 0.2\text{mm}$   
 Material: Aluminum  
 Finish: Black anodized

Micrometer: Fine adjustment:  $\pm 5^\circ$   
 Sensitivity (micrometer): 5arcmin  
 Sensitivity (lever arm):  $1^\circ$   
 Angle per rotation (micrometer only): 42.6arcmin, 30mm diameter  
 35.4arcmin, 50mm diameter

ORDERING  
&  
TECHNICAL SUPPORT

(949) 851-5881

FAX (949) 851-5058

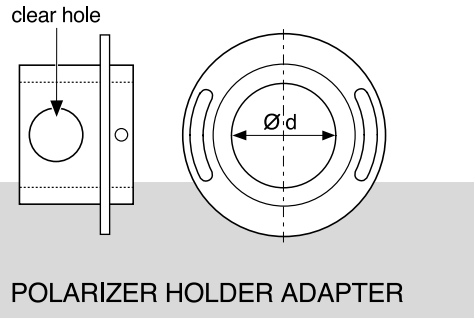
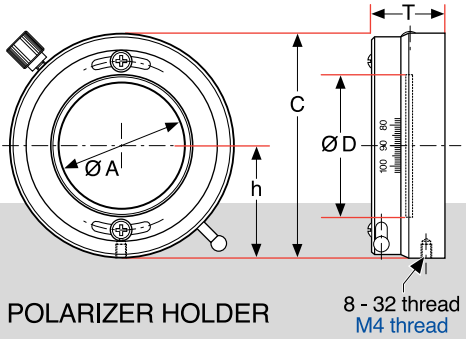
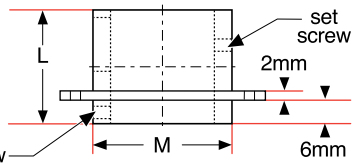
E-MAIL

sales@optosigma.com

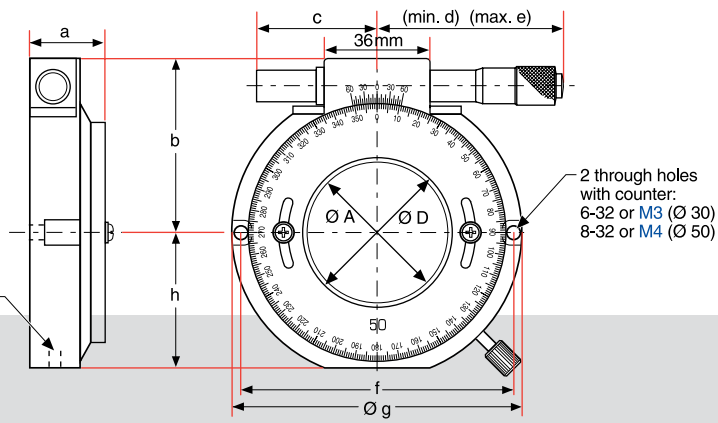
WEB

www.optosigma.com

Product No.	Dimensions (mm)				
	h	A	C	D	T
114-0230/0235	25.0	17.6	50.5	20.6	20.0
114-0240/0245	32.5	27.0	60.5	30.0	26.0
114-0250/0255	42.5	47.0	80.5	50.8	26.0



Part No.	Dimensions (mm)									
	D	A	a	b	c	d	e	f	g	h
114-0210	30	27	20	58	40	53	63	72	78	35
114-0220	50	47	25	49	40	56	63	90	96	45



MICROMETER DRIVEN POLARIZER HOLDER

**Polarizer Holder**

**INCH**      **METRIC**

Polarizer Holder Type	To Hold Polarizer Diameter, D (mm)	Clear Aperture, A (mm)	Price	PART NUMBER	PART NUMBER
Micrometer	30.0	27.0		114-0210	114-0215
Micrometer	50.0	47.0		114-0220	114-0225
lever arm	20.0 or 20.3	17.6		114-0230	114-0235
lever arm	30.0	27.0		114-0240	114-0245
lever arm	50.0 or 50.8	47.0		114-0250	114-0255

**Polarizer Holder Adapters**

Polarizer Shape	Adapter Diameter, ØM (mm)	Adapter Length, L (mm)	Polarizer Diameter, d (mm)	Clear Aperture (mm)	Maximum Thickness	Fits Holder	Price	PART NUMBER
Disc	34	12	10	7	7	30		114-0310
Disc	34	15	20	17	9	30		114-0410
Disc	34	15	25.4	22	9	30		114-0420
Disc	34	12	25.4	22	7	30		114-0320
Disc	54	15	38.1	35	9	50		114-0430
Disc	54	15	40	37	9	50		114-0440
Disc	54	15	40	38	9	50		114-0330
Disc	54	15	50.8	47	9	50		114-0450
Cylinder	24.8	28	16			20		114-0340
Cylinder	24.8	28	19.1			20		114-0350
Cylinder	34	28	22.1			30		114-0360
Cylinder	34	28	25.4			30		114-0370
Cylinder	54	37	31.8			50		114-0380
Cylinder	54	37	34.8			50		114-0390