

Mini-Prism Tables

- Tip/tilt and rotation adjustment
- Prism clamp included
- Suitable for up to 10mm cubes and prisms

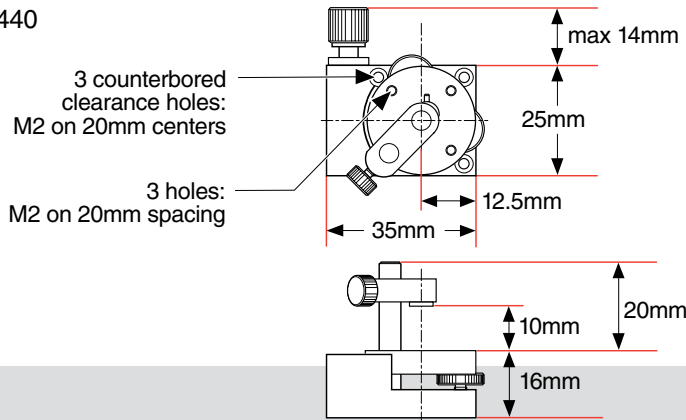


A mini-prism table is available for prisms up to 10mm side. These are held by a clamp on the top of the table and can be adjusted over two axes of tilt. Additionally there is a fine adjustment of rotation by means of a lead screw. The mini-prism table is base mounted.

Specifications & Tolerances

Optical centerline: 21mm Material: Aluminum
 Finish: Black anodized Dimensions: $\pm 0.2\text{mm}$
 Range: $\pm 5^\circ$

Part No. 155-1440



25mm 3-AXIS TILT PLATFORM

Mini-Prism Table

To Hold Prism Side (mm)	Mounting	Price	PART NUMBER
-------------------------	----------	-------	-------------

10.0	Base		155-1440
------	------	--	----------

ORDERING
&
TECHNICAL SUPPORT
(949) 851-5881
FAX (949) 851-5058
E-MAIL
sales@optosigma.com
WEB
www.optosigma.com

