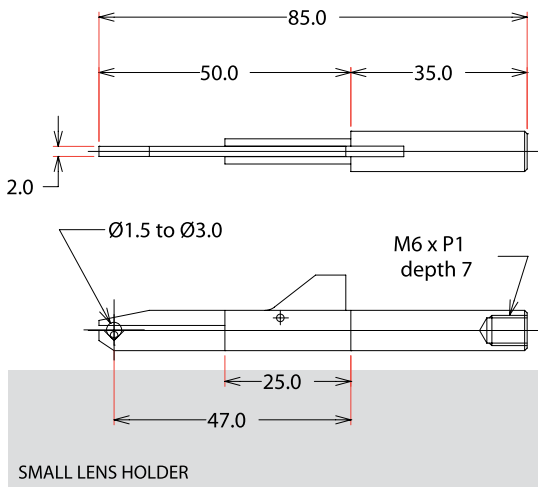


Small Lens Holder

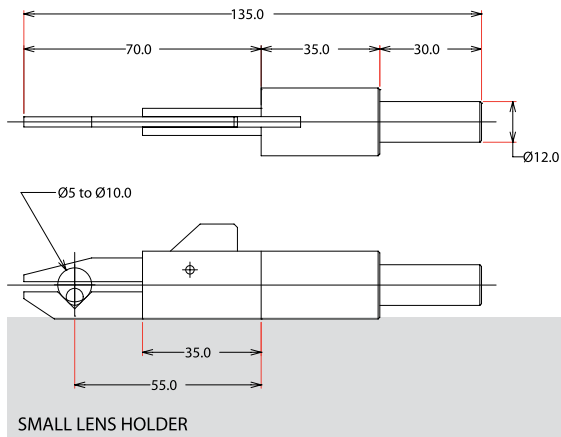
- Spring loaded arm holds optic in place and enables quick and easy mounting
- Small lens holders for 5 to 10mm diameters
- Mini lens holder for 1.5 to 3mm diameters
- Adapters for mounting with rods and holders



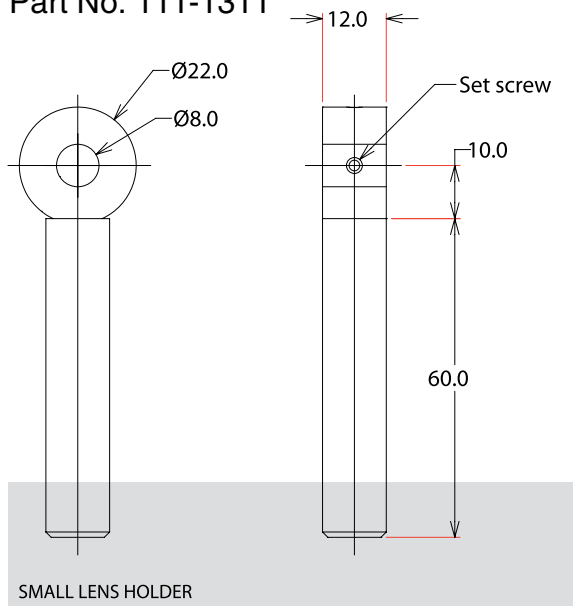
Part No. 111-1310



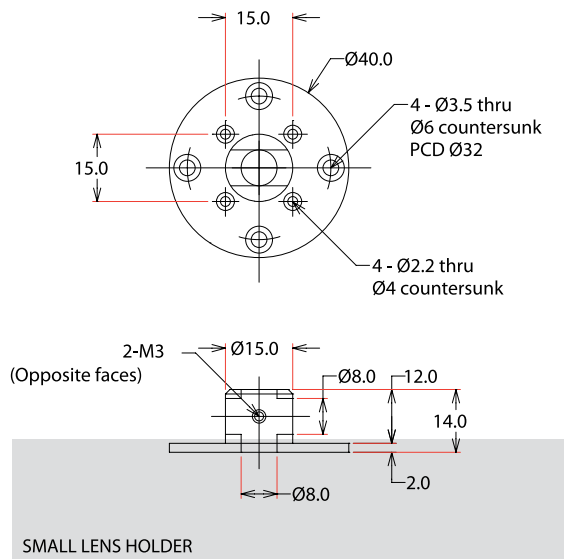
Part No. 111-1321



Part No. 111-1311



Part No. 111-1312



Small Lens Holder

Optic Size Diameter (mm)	Type	Price	PART NUMBER
1 ~ 3	Holder		111-1310
-	Adapter		111-1311
-	Adapter		111-1312
5 ~ 10	Holder		111-1321

ORDERING & TECHNICAL SUPPORT
 (949) 851-5881
 FAX (949) 851-5058
 E-MAIL sales@optosigma.com
 WEB www.optosigma.com

