

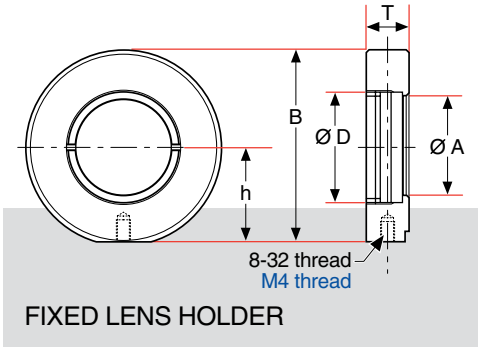
Fixed Lens Holders

- Ring mounts for most standard lens diameters
- May be post or pedestal mounted
- Marked with lens diameter

Most common lens diameters of thickness between 1 and 9mm can be mounted in these fixed rings. The lens is secured by means of a retainer and nylon washer. The base of the lens holder is threaded 8-32 or M4 for inch or metric post mounting.



Also offered is a microscope objective holder which has an RMS thread diameter 20mm, pitch 0.7mm for direct attachment of microscope objectives. This holder does not have a retaining ring. A selection of microscope objectives may be found on page 100.



Product No.	Dimensions (mm)				
	h	A	B	D	T
111-0040/0045	15.0	7.0	32.0	10.0	12.0
111-0050/0055	15.0	10.0	32.0	12.7	16.0
111-0060/0065	20.0	12.0	42.0	15.0	16.0
111-0070/0075	20.0	17.0	42.0	20.0	18.0
111-0080/0085	25.0	22.0	52.0	25.4	12.0
111-0090/0095	25.0	26.0	52.0	30.0	12.0
111-0110/0115	30.0	34.0	62.0	38.1	18.0
111-0120/0125	30.0	36.0	62.0	40.0	18.0
111-0130/0135	35.0	45.0	72.0	50.0	18.0
111-0140/0145	35.0	46.0	72.0	50.8	18.0
111-0150/0155	40.0	55.0	87.0	60.0	21.0
111-0160/0165	40.0	56.5	87.0	63.5	21.0
111-0180/0185	50.0	70.0	102.0	76.2	21.0
111-0230/0235	60.0	94.0	122.0	101.6	26.0
111-4440/4445	17.5	19.0	38.0	20.0/RMS THREAD	12.0

Specifications & Tolerances

Dimensions: ±0.2mm
 Finish: Black anodized
 Material: Aluminum

Fixed Lens Holders

	INCH	METRIC
--	------	--------

To Hold Lens Diameter, D (mm)	Clear Aperture, A (mm)	Center Height, h (mm)	Price	PART NUMBER	PART NUMBER
10.0	7.0	15.0		111-0040	111-0045
12.7	10.0	15.0		111-0050	111-0055
15.0	12.0	20.0		111-0060	111-0065
20.0	17.0	20.0		111-0070	111-0075
25.0 or 25.4	22.0	25.0		111-0080	111-0085
30.0	26.0	25.0		111-0090	111-0095
38.1	34.0	30.0		111-0110	111-0115
40.0	36.0	30.0		111-0120	111-0125
50.0	45.0	35.0		111-0130	111-0135
50.8	46.0	35.0		111-0140	111-0145
60.0	55.0	40.0		111-0150	111-0155
63.5	56.5	40.0		111-0160	111-0165
76.2	70.0	50.0		111-0180	111-0185
101.6	94.0	60.0		111-0230	111-0235
20.0	19.0	17.5		111-4440	111-4445

ORDERING & TECHNICAL SUPPORT
 (949) 851-5881
 FAX (949) 851-5058
 E-MAIL sales@optosigma.com
 WEB www.optosigma.com

Other sizes can be manufactured to your special order.

