

Adjustable Lens Holders

- Adjustable bar with separate clamp holds lenses securely
- Accepts a range of diameter lenses
- Both spherical and cylindrical lens types

The adjustable bar type of lens holder has been in common use for a long time. These holders have vee grooves in both the base and the bar to hold the lens more positively. There is a separate clamp which makes it easy to apply the correct pressure to the lens after loosely positioning the bar in place. Each size accepts a range of lenses. The spherical lens type is intended for holding circular lenses, while the cylindrical lens type is more suitable for rectangular shape lenses.

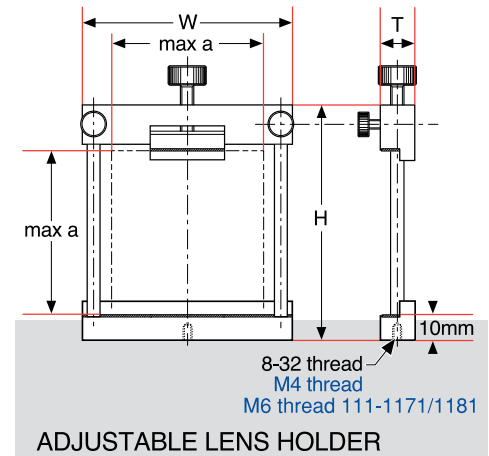
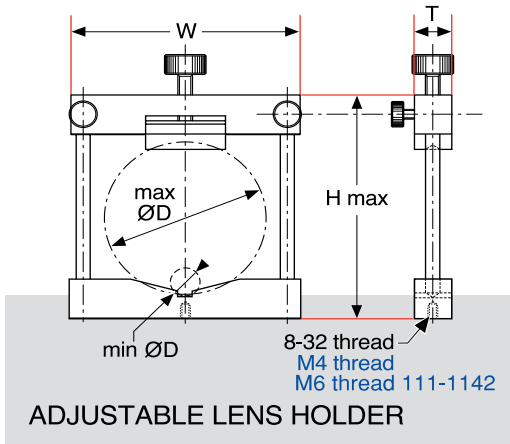


Specifications & Tolerances

Dimensions: ±0.2mm
 Finish: Black anodized
 Material: Aluminum

Product No.	Dimensions (mm)			
	D	H	T	W
111-1110/1115	5.0 - 25.4	45.0	12	40.0
111-1120/1125	10.0 - 60.0	88.0	14	86.0
111-1130/1135	20.0 - 101.6	135.0	19	134.0
111-1142	30.0 - 150.0	195.0	20	200.0

Product No.	Dimensions (mm)			
	a	H	T	W
111-1150/1155	30.0	50	12	40.0
111-1160/1165	65.0	90	14	86.0
111-1171	60.0	92	14	86.0
111-1181	130.0	82	14	160.0



Adjustable Lens Holders

Type	To Hold Lens Diameter, D or Side, a (mm)	Price	INCH	METRIC
			PART NUMBER	PART NUMBER
Spherical	5.0-25.4		111-1110	111-1115
Spherical	10.0-60.0		111-1120	111-1125
Spherical	20.0-101.6		111-1130	111-1135
Spherical	30-150		-	111-1142
Cylindrical	30 x 25		111-1150	111-1155
Cylindrical	65 x 60		111-1160	111-1165
Cylindrical	60 x 60		-	111-1171
Cylindrical	55 x 130		-	111-1181

ORDERING & TECHNICAL SUPPORT
 (949) 851-5881
 FAX (949) 851-5058

E-MAIL
 sales@optosigma.com

WEB
 www.optosigma.com

