

Caliper Variable Lens Holders

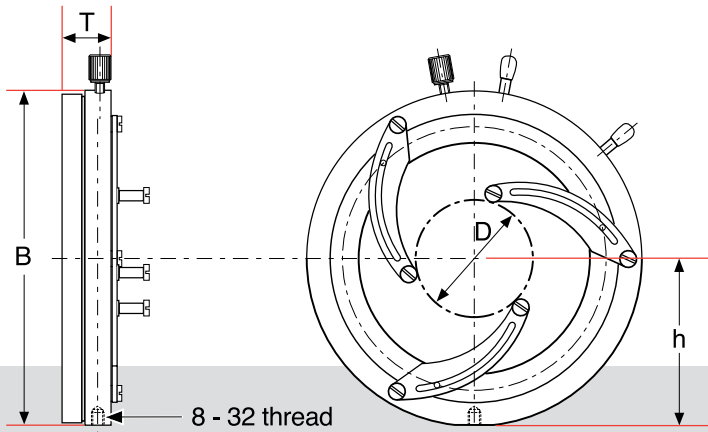
- Easy removal and replacement of lenses
- Range of diameters accommodated
- Two New sizes to accommodate 30-50mm and 40-110mm optics



Precision caliper lens holders are ideal for experimental and prototype situations where lenses of different diameters need to be removed and replaced frequently. Simply squeeze the two protruding pins together to open the calipers. Hold the lens in position and gently release the pins. The lens will be securely held in position until you wish to remove it. The clamp on the side permits the calipers to be held open, if required.

Specifications & Tolerances

Dimensions: ±0.2mm
 Material: Aluminum
 Finish: Black anodized



CALIPER LENS HOLDER

8 - 32 thread
 M4 thread
 M6 thread 111-1171/1181

Caliper Lens Holders

To Hold Lens Diameter, D (mm)	Center Height, h (mm)	Holder Diameter, B (mm)	Holder Thickness, T (mm)	Price	INCH	METRIC
					PART NUMBER	PART NUMBER
5-25.4	25.0	51	14		111-2220	111-2225
30-50	36.5	74	14		-	111-2262
25-80.0	60.0	121	18		111-2240	111-2245
40-110	77.5	156	18		-	111-2272

ORDERING & TECHNICAL SUPPORT
 (949) 851-5881
 FAX (949) 851-5058
 E-MAIL sales@optosigma.com
 WEB www.optosigma.com

