

Mini-Lens Holders

- Holds lens securely in place
- Permits X-Y adjustment of the optical axis
- To suit 10mm and 15mm or 5-15mm lenses

Mini-lens holders are offered for 10mm and 15mm diameter lenses. They have a centering adjustment capability which is driven by two screws protruding from the top and side of the mount. Lenses are retained by a screw ring. There is also a spring loaded adjustable holder which covers a range from 5 to 15mm diameter and does not have any centering capability.



Specifications & Tolerances

Dimensions: ±0.2mm

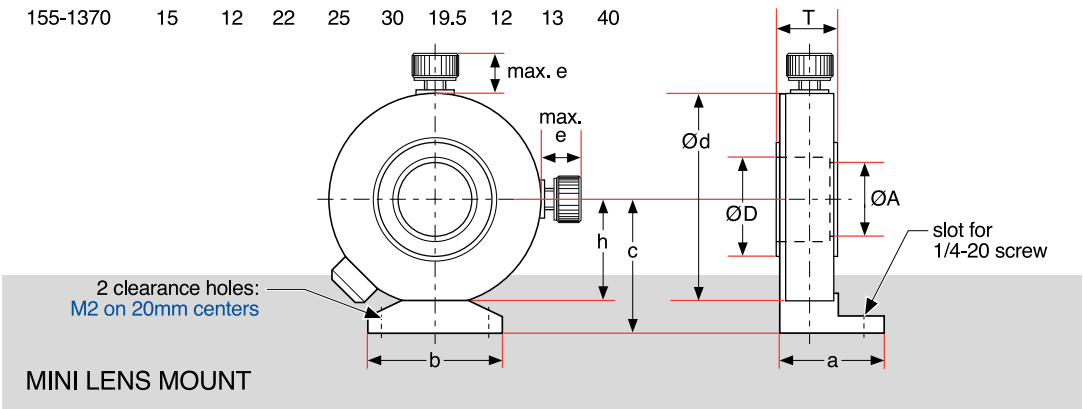
Finish: Black anodized

Adjustment Range: ±1mm

Maximum thickness: 4mm

Material: Aluminum

Part No.	Dimensions (mm)								
	ØD	ØA	a	b	c	h	e	T	Ød
155-1350	10	7	21	25	20	12.5	11	11	26
155-1370	15	12	22	25	30	19.5	12	13	40



Mini-Lens Holders

To Hold Lens Diameter, D (inches)	To Hold Lens Diameter, D (mm)	Clear Aperture, A (mm)	Mounting	Center Height, h (mm)	Price	PART NUMBER
0.39	10.0	7.0	Base	20.0		155-1350
0.39	10.0	7.0	Post	20.0		155-1360
0.59	15.0	12.0	Base	30.0		155-1370
0.59	15.0	12.0	Post	30.0		155-1380
0.20-0.60	5.0-15.0	3.0-13.0	Post	30.0		155-1390

ORDERING & TECHNICAL SUPPORT

(949) 851-5881

FAX (949) 851-5058

E-MAIL

sales@optosigma.com

WEB

www.optosigma.com

