

X-Y Lens Holders

- Holds lenses securely in place
- Permits X-Y adjustment of the optical axis
- To suit 20mm, 1inch, 30mm and 2inch lenses

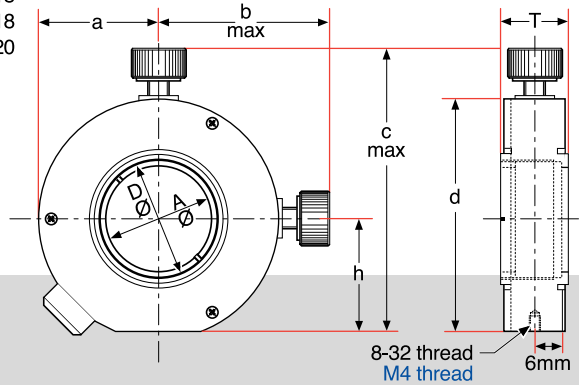


Lenses may be mounted directly into these holders by means of the retaining ring provided. The optical axis is easily adjusted in two axes by means of the fine pitch, 50TPI (0.5mm) adjusting screws which protrude from the side of the holder. These adjusters operate against a springloaded plunger which will retain the lens in position, once set. The holders may be attached to a post or pedestal base by means of an 8-32 or M4 screw.

Specifications & Tolerances

Dimensions: ±0.2mm Material: Aluminum
 Finish: Black anodized Range of adjustment: ±1.5mm

Product No.	Dimensions (mm)							
	a	b	c	d	h	A	D	T
111-0335	29	41.5	69	56.5	27.5	17.0	20.0	18
111-0345	32	45.5	75.5	62	30	22.0	25.4	18
111-0355	32	45.5	75.5	62	30	27.0	30.0	18
111-0365	44	57	100	86.5	42.5	47.0	50.8	20



XY LENS HOLDER

X-Y Lens Holders

To Hold Lens Diameter, D (inches) (mm)	Clear Aperture, A (mm)	Maximum Lens Thickness, t (mm)	Price	INCH	METRIC
				PART NUMBER	PART NUMBER
0.78	20.0	17		111-0330	111-0335
1.00	25.4	22		111-0340	111-0345
1.18	30.0	27		111-0350	111-0355
2.00	50.8	47		111-0360	111-0365

- Mirror Mounts
- Optic Holders**
- Optical Baseplates
- Optical Rails and Carriers
- Bases
- Rod Mounting Systems
- Post, Post Holders, Clamps

ORDERING & TECHNICAL SUPPORT
 (949) 851-5881
 FAX (949) 851-5058
 E-MAIL sales@optosigma.com
 WEB www.optosigma.com

