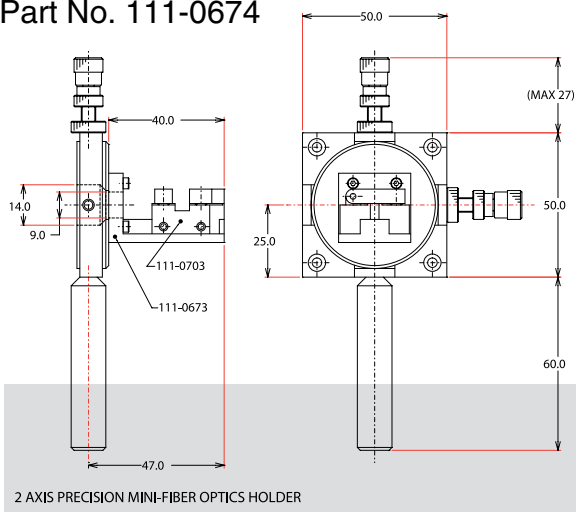


## Precision Mini-Fiber Optics Holders

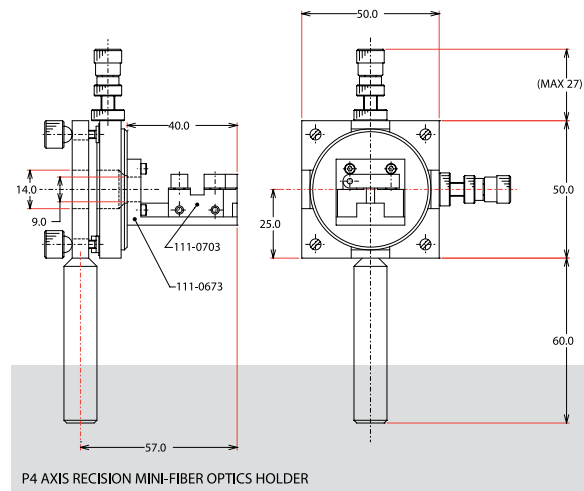
- Holders with fine adjustment for mounting optical fiber
- FC-type optical fiber fine motion holder combined with a small optical fiber holder adapter
- Products are offered with small differential micrometer to provide 0.5mm coarse motion and 0.05 fine-motion
- The standard product is offered with holder suitable for jacket diameter of 900µm the 250 and 500µm holders are also available upon request.
- Holders also available with rotation when polarization adjustment is required and for mounting objective lens for focusing a laser beam to a FC-type optical fiber.



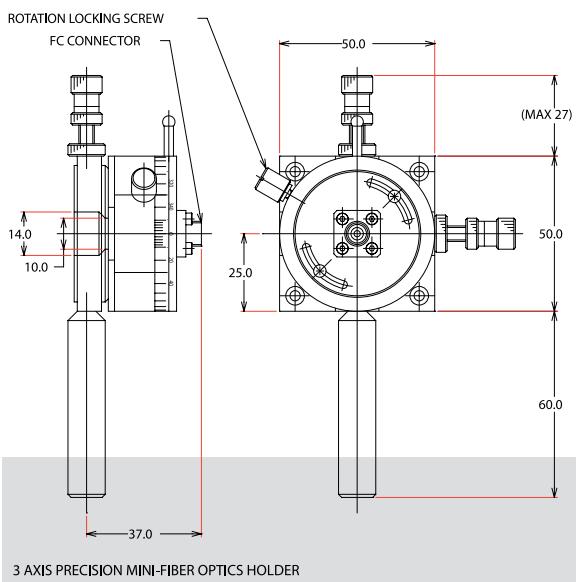
Part No. 111-0674



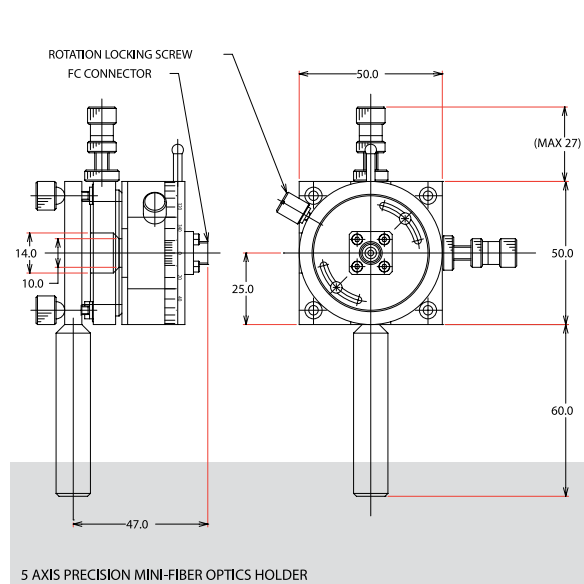
Part No. 111-0676



Part No. 111-0677



Part No. 111-0678



Mirror Mounts

Optic Holders

Optical Baseplates

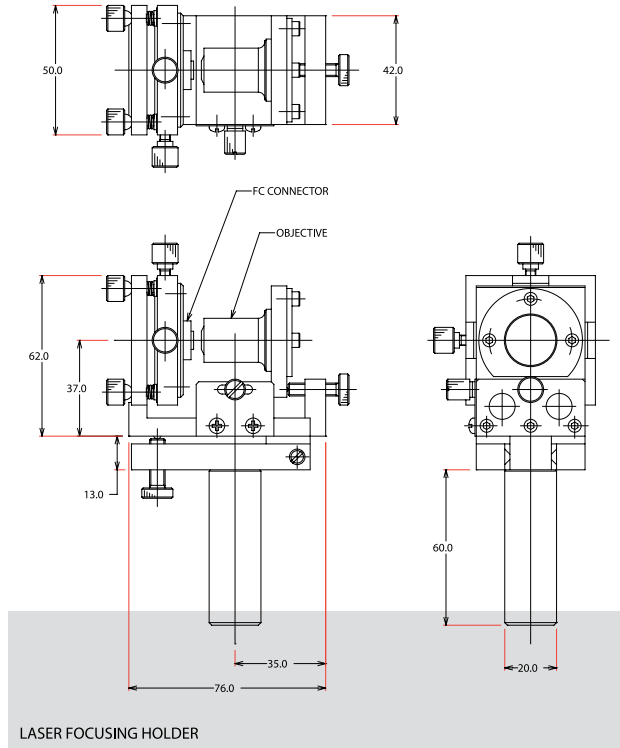
Optical Rails and Carriers

Bases

Rod Mounting Systems

Post, Post Holders, Clamps

Part No. 111-0679



Precision Mini-Fiber Optics Holders

Adjustment (mm)	Lead of Screw			Travel			Resolution		Price	PART NUMBER
	XY Direction (mm)	XY Direction (mm)	Azimuth (mm)	Azimuth (mm)	Azimuth (°)	Elevation (°/Rotation)	Azimuth (°/Rotation)			
2 x 2	Coarse: 0.5 Fine: 0.05	-	-	-	-	-	-	-		111-0674
2 x 2	Coarse: 0.5 Fine: 0.05	0.5	0.5	±2	±2	0.7	0.7			111-0676

Precision Mini-Fiber Optics Holder Rotation

Adjustable Rotation Range (°)	Lead of Screw			Travel			Resolution		Price	PART NUMBER
	XY Direction (mm)	Elevation (mm)	Azimuth (mm)	Azimuth (mm)	Azimuth (°)	Elevation (°/Rotation)	Azimuth (°/Rotation)			
360.0	Coarse: 0.5 Fine: 0.05	-	-	-	-	-	-	-		111-0677
360.0	Coarse: 0.5 Fine: 0.05	0.5	0.5	±2	±2	0.7	0.7			111-0678

Laser Focusing Holder

XY Direction (mm)	Optical axis Direction (mm)	Lead of Screw			Travel			Resolution		Price	PART NUMBER
		XY Direction (mm)	Elevation (mm)	Azimuth (mm)	Azimuth (mm)	Azimuth (°)	Elevation (°/Rotation)	Azimuth (°/Rotation)			
±1	±5	0.5	0.5	0.5	0.5	0.7	0.7	0.53		111-0679	