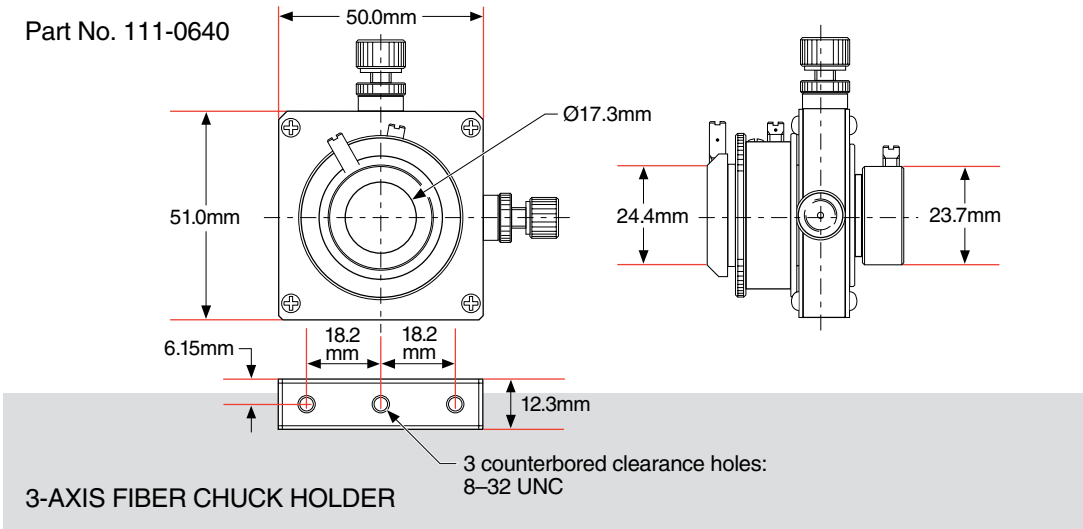


Fiber Optic Mount

- Lockable 3-axis positioning
- High resolution 100-pitch adjustment screws
- Optional fiber chuck configuration
- Post or base mounting options available



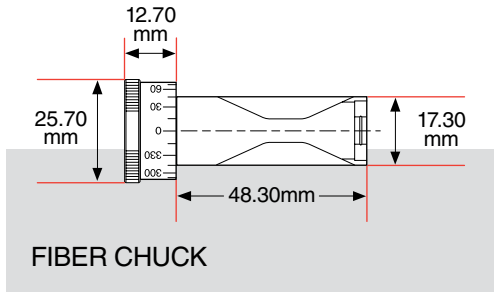
The 3-axis fiber optic mount and fiber optic holders are useful in many applications for alignment of fibers. When aligning fibers it is important that the user has the ability to adjust accurately to the required position and then lock in place. Our fiber optic mount has 100 threads per inch adjustment screws that provide smooth accurate motion during the alignment process. The lockable X and Y-axis minimizes the need for constant readjustment.



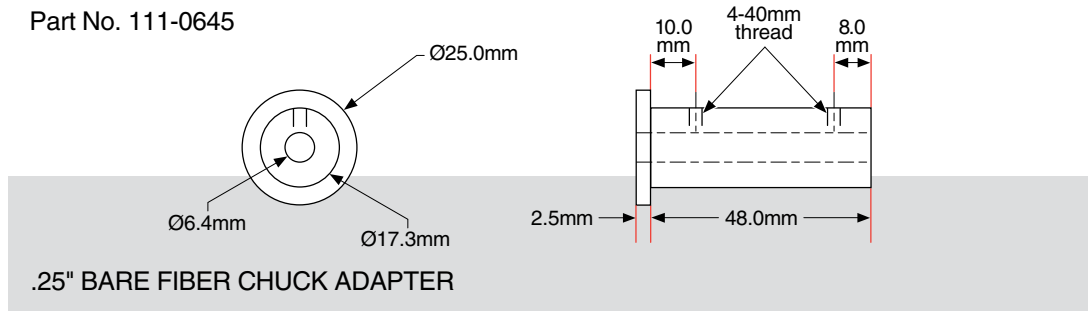
ORDERING
&
TECHNICAL SUPPORT
(949) 851-5881
FAX (949) 851-5058
E-MAIL
sales@optosigma.com
WEB
www.optosigma.com



Part No. 111-0641/0642



Part No. 111-0645



The fiber optic chuck is available in ST and FC connector versions for use with connectorized fibers. When these chucks are inserted in the 3-axis fiber optic mount the user can independently control the positioning in any plane along each orthogonal axis. Industry standard 1/4-inch bare fiber chucks can be inserted in the fiber optics adapter for use with the fiber optic mount.

Specifications & Tolerances

Dimensions: ±0.2mm
 Finish: Black anodized
 Material: Aluminum and brass

ORDERING
 &
 TECHNICAL SUPPORT
 (949) 851-5881
 FAX (949) 851-5058
 E-MAIL
 sales@optosigma.com
 WEB
 www.optosigma.com

Fiber Optic Mount and Holders

Item	Holds	Zoom Range (mm)	XY Range (mm)	Price	PART NUMBER
Fiber Optic Mount	Fiber Chuck/Adapter	6	4		111-0640
Fiber Optic Chuck	ST connectorized fiber	-	-		111-0641
Fiber Optic Chuck	FC connectorized fiber	-	-		111-0642
Fiber Optic Adapter	1/4" fiber chuck	-	-		111-0645



Fiber Holders and Adapters

- Holders for mounting and adjusting FC and SMA type optical fibers
- Standard with FC or SMA connectors and receptacles
- All adjust screws have a 2mm stroke
- Two versions offer vertical and horizontal fine-motion movement perpendicular to optical axis
- Two versions offer two directions of tilt, vertical horizontal fine-motion movement perpendicular to optical axis.
- Two versions have small differential micrometer to provide 0.5mm coarse-motion and 0.05 fine-motion



Mirror Mounts

Optic Holders

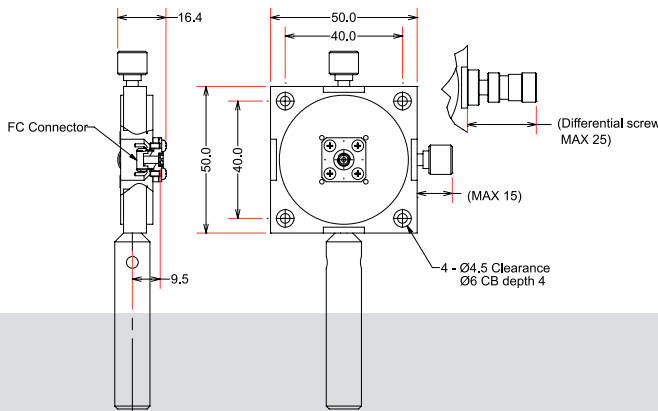
Optical Baseplates

Optical Rails and Carriers

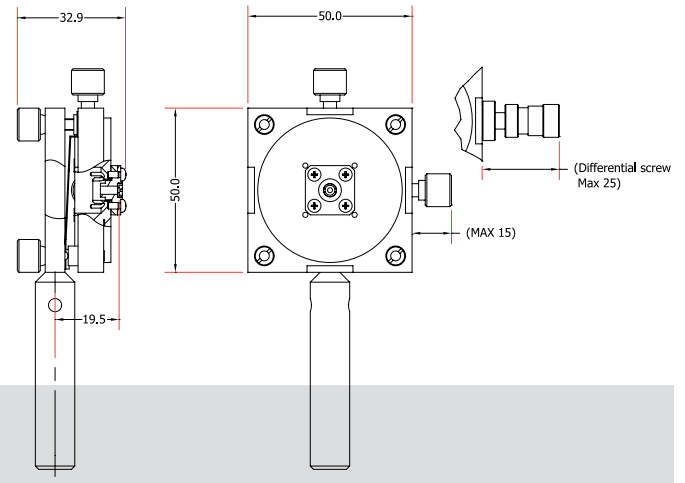
Bases

Rod Mounting Systems

Post, Post Holders, Clamps



2 AXIS FIBER HOLDER

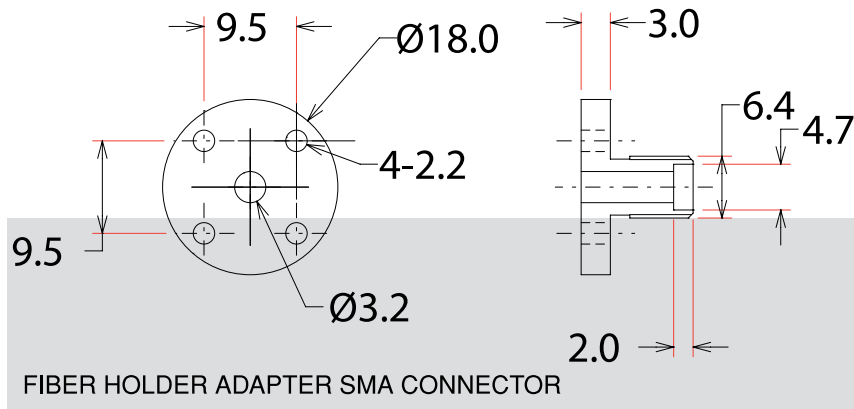
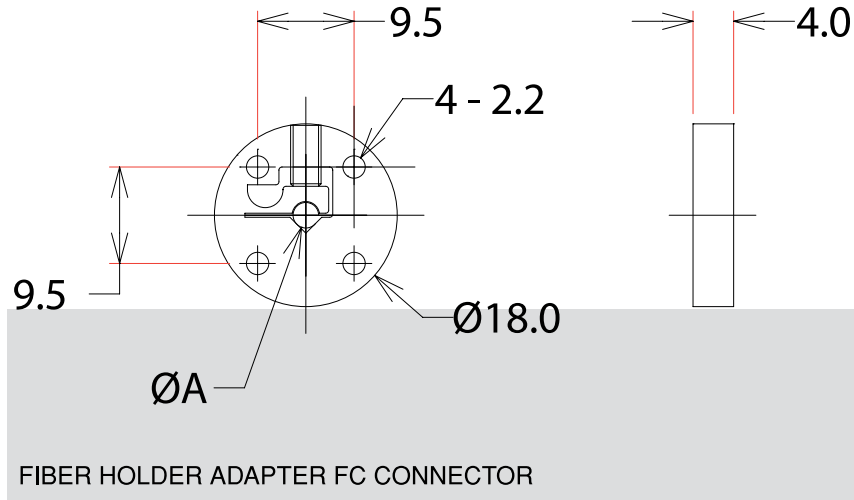


4 AXIS FIBER HOLDER

Fiber Holders

Adjustment Range (mm)	Lead of Screw			Travel		Resolution		Connector Type	Price	PART NUMBER
	XY Direction (mm)	Elevation (mm)	Azimuth (mm)	Elevation (°)	Azimuth (°)	Elevation (°/Rotation)	Azimuth (°/Rotation)			
2 x 2	0.5	-	-	-	-	-	-	FC		111-0651
2 x 2	0.5	0.5	0.5	±2	±2	0.7	0.7	FC		111-0652
2 x 2	Coarse: 0.5 Fine: 0.05	-	-	-	-	-	-	FC		111-0653
2 x 2	Coarse: 0.5 Fine: 0.05	0.5	0.5	±2	±2	0.7	0.7	FC		111-0654
2 x 2	0.5	-	-	-	-	-	-	SMA		111-0664
2 x 2	0.5	0.5	0.5	±2	±2	0.7	0.7	SMA		111-0666
2 x 2	Coarse: 0.5 Fine: 0.05	-	-	-	-	-	-	SMA		111-0667
2 x 2	Coarse: 0.5 Fine: 0.05	0.5	0.5	±2	±2	0.7	0.7	SMA		111-0668

Fiber Holder Adapters



ORDERING
&
TECHNICAL SUPPORT
(949) 851-5881
FAX (949) 851-5058
E-MAIL
sales@optosigma.com
WEB
www.optosigma.com

Fiber Holder Adapters

Adapter Type	Ferrule Diameter Ø (mm)	Price	PART NUMBER
Adapter for Ferrule- FC	2.5		111-0662
Adapter for Ferrule- FC	3.1		111-0663
Adapter for SMA connector	-		111-0669

