

Flexure and Pin Mirror Mounts

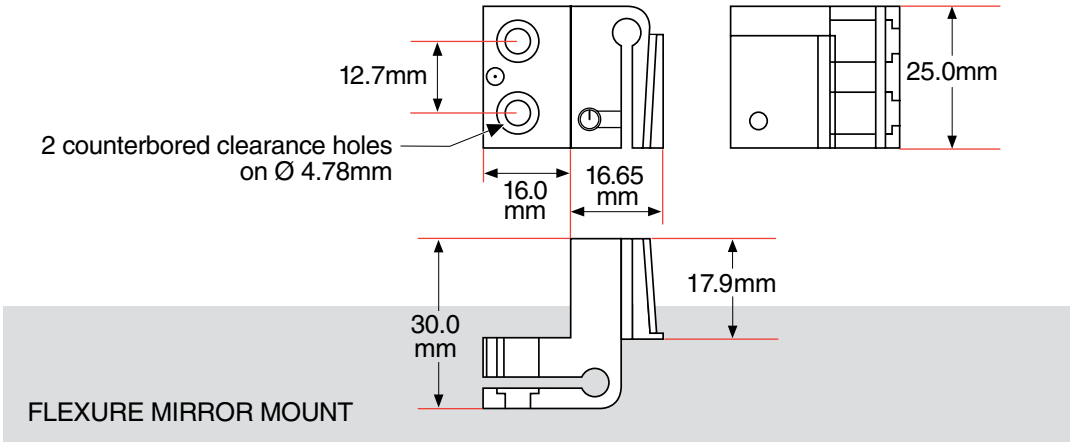
- Two axis fine adjustment
- Simple mechanism
- Ideal for OEM use



Specifications & Tolerances

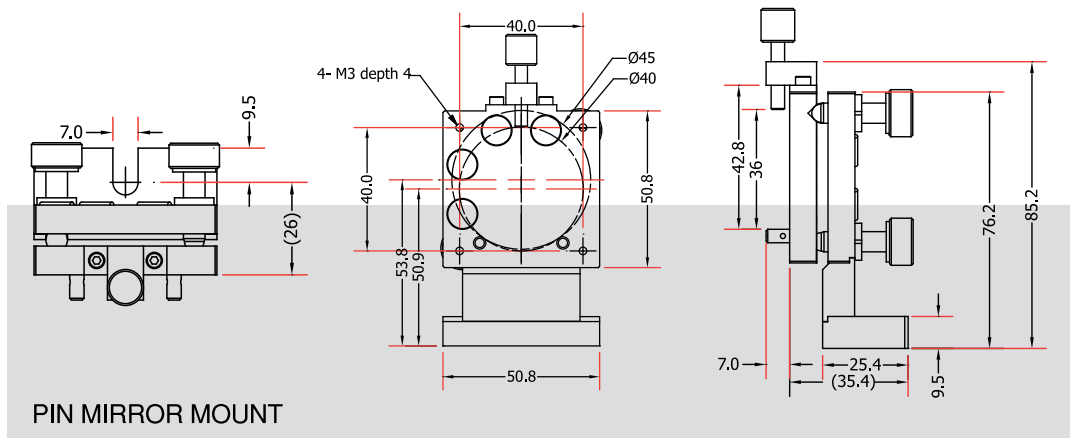
Dimensions: $\pm 0.2\text{mm}$
 Finish: Black anodized

Material: Aluminum
 Angular Adjustment: Range ± 3 degrees
 Sensitivity < 1.5 arcmin



Flexure Mirror Mounts

To accept maximum mirror side, s (mm)	Center Height, h (mm)	Price	PART NUMBER
25.4	20.0		112-0290



Pin Mirror Mounts

Optics Size (mm)	Mounting Type	Travel		Resolution		Price	PART NUMBER
		Elevation (°)	Azimuth (°)	Elevation (°)	Azimuth (°)		
50.8 x 50.8	Base	± 4	± 5	0.38	0.38		112-0270
50.8 x 50.8	12 x 60mm Post	± 4	± 5	0.38	0.38		112-0271

ORDERING & TECHNICAL SUPPORT
 (949) 851-5881
 FAX (949) 851-5058
 E-MAIL sales@optosigma.com
 WEB www.optosigma.com

