

Mirror Mounts

- Optic Holders
- Optical Baseplates
- Optical Rails and Carriers
- Bases
- Rod Mounting Systems
- Post, Post Holders, Clamps

## Mini-Mirror Mounts

- Kinematic tip/tilt adjustment
- For use with 10mm, 12.7mm and 15mm mirrors

Mini-mirror mounts are offered to hold mirrors of 10, 12.7 or 15mm diameter in thicknesses from 3 to 6mm. The mirrors are seated in an oval hole so that they are kinematically located. They are secured by means of a nylon screw which is tightened against the top edge of the mirror. Two axes of tilt adjustment, over a range of  $\pm 2.5$  degrees, are provided by means of adjusting screws protruding from the top of the mount. Two types of support are available: a fixed base or a 15mm long rod. If the base mount is used the mounting screws, which fit the standard 10mm pattern, are in line with the entrance and exit beams for 45 degree use.

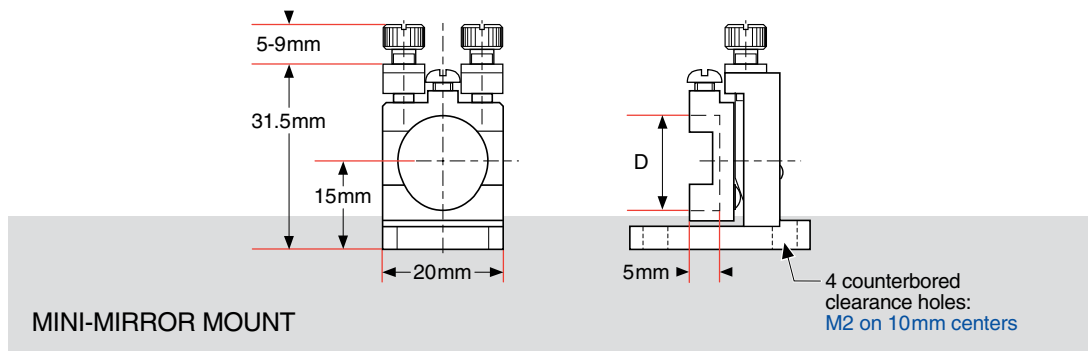


### Specifications & Tolerances

Dimensions:  $\pm 0.2$ mm  
 Material: Aluminum  
 Range:  $\pm 2.5^\circ$

Rod length: 15mm  
 Optical centerline: 15mm  
 Finish: Black anodized

Part No. 155-1110/1122/1130



MINI-MIRROR MOUNT

ORDERING  
&  
TECHNICAL SUPPORT  
(949) 851-5881  
FAX (949) 851-5058

E-MAIL  
sales@optosigma.com

WEB  
www.optosigma.com



### Mini-Mirror Mounts

To Hold Mirror Diameter, D	Mounting	Price	PART NUMBER
0.39	Base		155-1110
0.39	Post		155-1120
0.50	Base		155-1122
0.50	Post		155-1124
0.59	Base		155-1130
0.59	Post		155-1140