

# Small Mirror Mounts

- Ideal for OEM and laboratory use
- Simple mounts for steering mirrors
- Fine pitch screws for precise adjustment
- Versatile plugs accommodate different size mirrors
- Sensitivity <math><2\text{arcmin}</math>



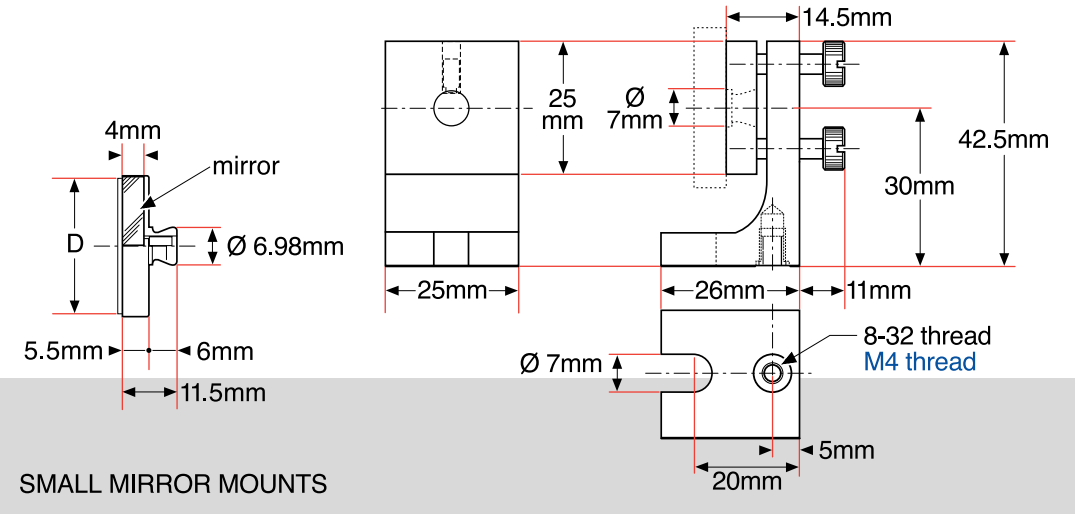
- Mirror Mounts
- Optic Holders
- Optical Baseplates
- Optical Rails and Carriers
- Bases
- Rod Mounting Systems
- Post, Post Holders, Clamps

The simplest form of mirror mount is often all that is needed. For most beam steering applications these kinematic mounts are ideal. The mounting surface is adjusted by means of two fine pitched, 100TPI (0.25mm) screws which push from the rear surface against a spring. A recess on the front plate accepts mirror plugs which will hold standard diameter mirrors. The mirrors are pushed into the plugs where they are held securely. To remove the mirror there is a delerim tipped removal screw which will push the mirror out of the plug.

## Specifications & Tolerances

Dimensions:  $\pm 0.2\text{mm}$   
 Material: Aluminum  
 Finish: Black anodized

Angular adjustment: Range  $\pm 5^\circ$   
 Per rotation  $1^\circ$   
 Sensitivity  $2\text{arcmin}$



## Small Mirror Mounts

**INCH**      **METRIC**

Item	To Hold Mirror Diameter, D		Price	PART NUMBER	PART NUMBER
	(inches)	(mm)			
Mirror Mount	-	-		112-0250	112-0255
Mirror Holder	0.50	12.7		112-0261	112-0261
Mirror Holder	0.75	19.1		112-0267	112-0267
Mirror Holder	0.98	25.0		112-0263	112-0263
Mirror Holder	1.00	25.4		112-0264	112-0264
Mirror Holder	1.18	30.0		112-0266	112-0266

ORDERING & TECHNICAL SUPPORT  
 (949) 851-5881  
 FAX (949) 851-5058  
 E-MAIL sales@optosigma.com  
 WEB www.optosigma.com

