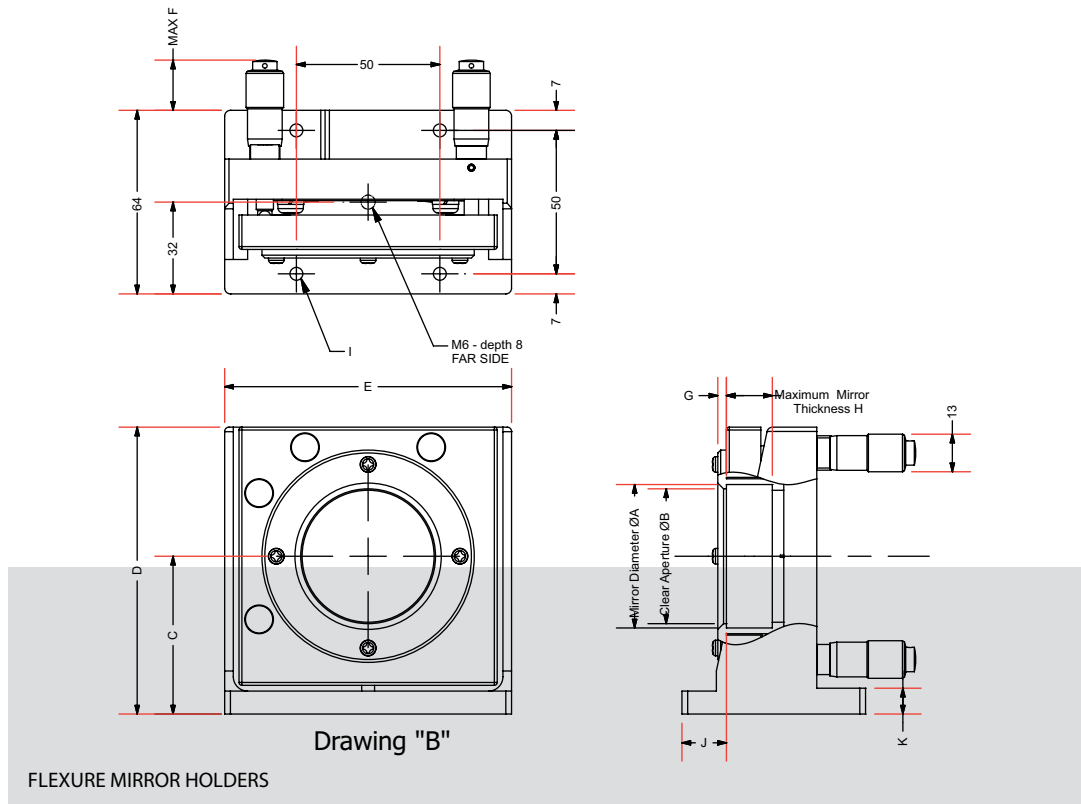
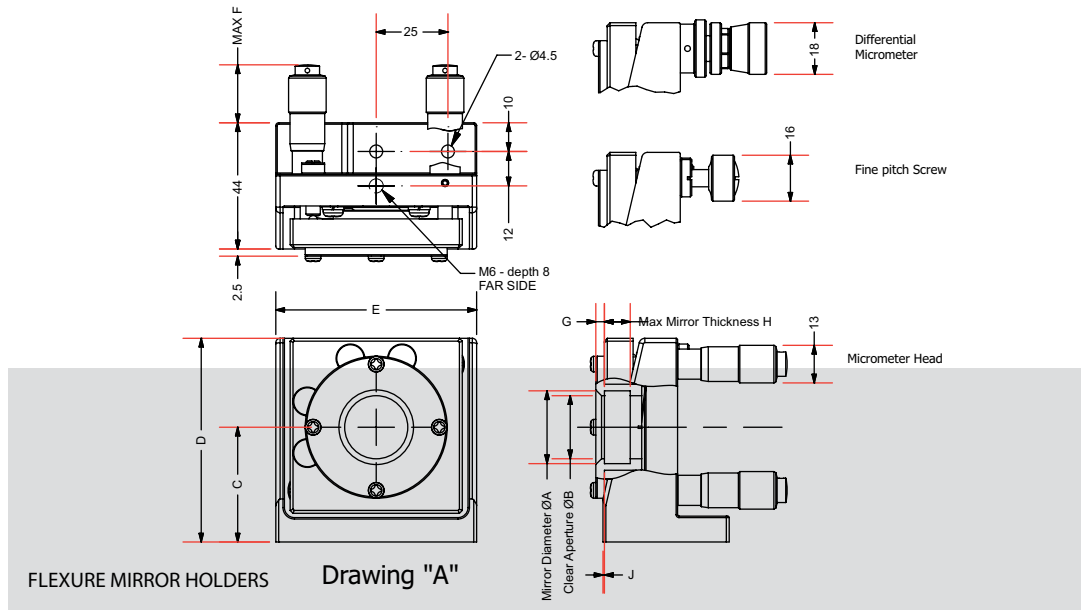


Mirror Mounts

- Optic Holders
- Optical Baseplates
- Optical Rails and Carriers
- Bases
- Rod Mounting Systems
- Post, Post Holders, Clamps

Flexure Mirror Holders

- Versions to hold optic sizes from 25mm to 100mm
- Available with micrometer, differential micrometer and fine pitch screw drives
- Provides superior positional stability
- Offered with base or post mounted options



ORDERING
&
TECHNICAL SUPPORT
(949) 851-5881
FAX (949) 851-5058
E-MAIL
sales@optosigma.com
WEB
www.optosigma.com



Flexure Mirror Holder Drawings

| PART NUMBER | Draw-ing | ØA (mm) | ØB (mm) | C (mm) | D (mm) | E (mm) | F (mm) | G (mm) | H (mm) | I (mm) | J (mm) | K (mm) | Type |
|-------------|----------|----------|---------|--------|--------|--------|--------|--------|--------|--------|--------|--------|--------------|
| 112-0305 | A | 25, 25.4 | 22 | 40 | 71 | 70 | 23 | 3 | 10 | - | (0.5) | 9 | Micrometer |
| 112-0307 | A | 25, 25.4 | 22 | 40 | 71 | 70 | 11 | 3 | 10 | - | (0.5) | 9 | Screw |
| 112-0308 | A | 25, 25.4 | 22 | 40 | 71 | 70 | 23 | 3 | 10 | - | (0.5) | 9 | Differential |
| 112-0309 | A | 30 | 27 | 40 | 71 | 70 | 23 | 3 | 10 | - | (0.5) | 9 | Micrometer |
| 112-0311 | A | 30 | 27 | 40 | 71 | 70 | 11 | 3 | 10 | - | (0.5) | 9 | Screw |
| 112-0312 | A | 30 | 27 | 40 | 71 | 70 | 23 | 3 | 10 | - | (0.5) | 9 | Differential |
| 112-0313 | B | 40 | 37 | 55 | 95 | 90 | 23 | 3 | 12 | 3-Ø4.5 | (16.5) | 9 | Micrometer |
| 112-0315 | B | 40 | 37 | 55 | 95 | 90 | 23 | 3 | 12 | 3-Ø4.5 | (16.5) | 9 | Screw |
| 112-0317 | B | 50 | 47 | 55 | 100 | 100 | 22 | 3 | 17 | 4-Ø4.5 | (15.5) | 9.5 | Micrometer |
| 112-0319 | B | 50 | 47 | 55 | 100 | 100 | 11 | 3 | 17 | 4-Ø4.5 | (15.5) | 9.5 | Screw |
| 112-0321 | B | 50.8 | 47 | 55 | 100 | 100 | 22 | 3 | 15 | 4-Ø4.5 | (15.5) | 9.5 | Micrometer |
| 112-0323 | B | 50.8 | 47 | 55 | 100 | 100 | 12 | 3 | 15 | 4-Ø4.5 | (15.5) | 9.5 | Screw |
| 112-0325 | B | 60 | 56 | 60 | 110 | 106 | 27 | 3 | 17 | 4-Ø4.5 | (19.5) | 10 | Micrometer |
| 112-0327 | B | 60 | 56 | 60 | 110 | 106 | 16 | 3 | 17 | 4-Ø4.5 | (19.5) | 10 | Screw |
| 112-0329 | B | 80 | 77 | 70 | 130 | 126 | 26 | 4 | 19 | 4-Ø4.5 | (19.0) | 10 | Micrometer |
| 112-0331 | B | 80 | 77 | 70 | 130 | 126 | 15 | 4 | 19 | 4-Ø4.5 | (19.0) | 10 | Screw |
| 112-0333 | B | 100 | 96 | 80 | 149 | 152 | 26 | 4 | 18 | 4-Ø4.5 | (12.5) | 10 | Micrometer |
| 112-0335 | B | 100 | 96 | 80 | 149 | 152 | 14 | 4 | 18 | 4-Ø4.5 | (12.5) | 10 | Screw |

Mirror Mounts

Optic Holders

Optical Baseplates

Optical Rails and Carriers

Bases

Rod Mounting Systems

Post, Post Holders, Clamps

Flexure Mirror Holders

| Optic Size | | Travel | | Resolution | | Type | Price | PART NUMBER |
|---------------|--------------------|---------------|-------------|------------------------|----------------------|--------------|-------|-------------|
| Diameter (mm) | Thickness MAX (mm) | Elevation (°) | Azimuth (°) | Elevation (°/Rotation) | Azimuth (°/Rotation) | | | |
| 25, 25.4 | 10.0 | ±4.3 | ±4.3 | 0.62 | 0.62 | Micrometer | | 112-0305 |
| 25, 25.4 | 10.0 | ±4.3 | ±4.3 | 0.62 | 0.62 | Screw | | 112-0307 |
| 25, 25.4 | 10.0 | ±4.3 | ±4.3 | 0.62 | 0.62 | Differential | | 112-0308 |
| 30.0 | 10.0 | ±4.3 | ±4.3 | 0.62 | 0.62 | Micrometer | | 112-0309 |
| 30.0 | 10.0 | ±4.3 | ±4.3 | 0.62 | 0.62 | Screw | | 112-0311 |
| 30.0 | 10.0 | ±4.3 | ±4.3 | 0.62 | 0.62 | Differential | | 112-0312 |
| 40.0 | 12.0 | ±3.7 | ±3.7 | 0.40 | 0.40 | Micrometer | | 112-0313 |
| 40.0 | 12.0 | ±3.7 | ±3.7 | 0.40 | 0.40 | Screw | | 112-0315 |
| 50.0 | 17.0 | ±2.4 | ±2.4 | 0.40 | 0.40 | Micrometer | | 112-0317 |
| 50.0 | 17.0 | ±2.4 | ±2.4 | 0.40 | 0.40 | Screw | | 112-0319 |
| 50.8 | 17.0 | ±2.4 | ±2.4 | 0.40 | 0.40 | Micrometer | | 112-0321 |
| 50.8 | 17.0 | ±2.4 | ±2.4 | 0.40 | 0.40 | Screw | | 112-0323 |
| 60.0 | 17.0 | ±2.8 | ±2.8 | 0.35 | 0.35 | Micrometer | | 112-0325 |
| 60.0 | 17.0 | ±2.8 | ±2.8 | 0.35 | 0.35 | Screw | | 112-0327 |
| 80.0 | 19.0 | ±2.3 | ±2.3 | 0.29 | 0.29 | Micrometer | | 112-0329 |
| 80.0 | 19.0 | ±2.3 | ±2.3 | 0.29 | 0.29 | Screw | | 112-0331 |
| 100.0 | 18.0 | ±1.9 | ±1.9 | 0.24 | 0.24 | Micrometer | | 112-0333 |
| 100.0 | 18.0 | ±1.9 | ±1.9 | 0.24 | 0.24 | Screw | | 112-0335 |

ORDERING
&
TECHNICAL SUPPORT
(949) 851-5881
FAX (949) 851-5058
E-MAIL
sales@optosigma.com
WEB
www.optosigma.com