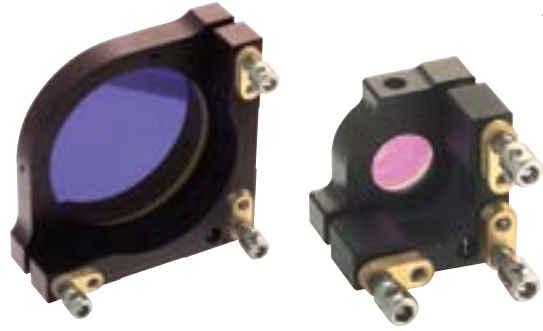


Kinematic Mirror Mounts

- Stable, firm, accurate alignment of mirrors
- Precision 100 TPI fine adjustment screws
- Sapphire seats
- Available in 12.7 to 50.8mm apertures
- Post and base mountable
- Adapters provide mounting of various optics
- Includes locking adjusters



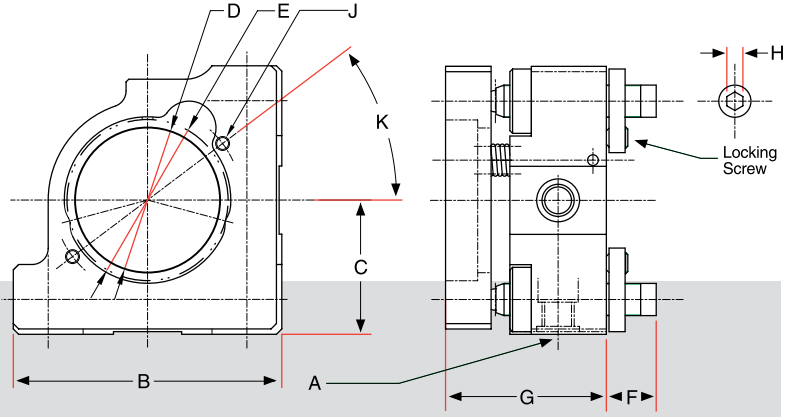
- Mirror Mounts
- Optic Holders
- Optical Baseplates
- Optical Rails and Carriers
- Bases
- Rod Mounting Systems
- Post, Post Holders, Clamps

Kinematic mounts provide economical precision mounting of mirrors. The 100 TPI fine adjustment screws and sapphire seats insure smooth, accurate and stable adjustment over the angular range.

OptoSigma offers a complete family of kinematic mounts. Mounts are available in versions that mount 12.7, 25, 25.4, 30, 50 and 50.8 diameter optics. The design of these mounts allows the user to configure their system as post or base mounted.

We will be happy to assist you in selection of the most suitable stock or custom components for your application.

Part No.	Dimensions (mm)										
	A	B	C	D(ϕ)	E(ϕ)	F	G	H	I	J(ϕ)	K($^\circ$)
112-7400	8-32	25.4	12.7	10	12.7	14	18.7	2.5	—	—	14
112-7405	M4										
112-7420	8-32	50	25	22	25.4	9.3	30	3	M2.6	32	135
112-7425	M4										
112-7430	8-32	50	25	27	30	9.3	30	3	M2.6	35	37
112-7435	M4										
112-7450	8-32	70	35	47	50.8	9.3	30	3	M4	59	38
112-7455	M4										



KINEMATIC MIRROR HOLDER

Specifications & Tolerances

Dimensions: $\pm 0.2\text{mm}$
 Material: Aluminum
 Finish: Black anodized

Kinematic Mirror Mounts

				INCH	METRIC
To Hold Optic Size (inches)	Optic Size (mm)	Optic Thickness (mm)	Angular Adjustment (\pm deg)	PART NUMBER	PART NUMBER
0.50	12.7	3-5	3	112-7400	112-7405
1.00	25, 25.4	3-5	3	112-7420	112-7425
1.18	30.0	3-5	3	112-7430	112-7435
2.00	50, 50.8	5-8	2	112-7450	112-7455

ORDERING & TECHNICAL SUPPORT
 (949) 851-5881
 FAX (949) 851-5058
 E-MAIL sales@optosigma.com
 WEB www.optosigma.com

