

TopMike™ Mirror Mounts

- Both tilt controls are top mounted for ease of use
- Alternate bases for all mounting configurations
- Fully anti-backlash preloaded adjustments
- Sensitivity <20arcsec



Mirror mounts often look good on paper - but turn out to be awkward to use. The controls are often hard to reach, in the way of adjacent equipment, and difficult to adjust. These mirror mounts have been designed to solve such problems.

Two precision micrometers are mounted vertically within the width of the mirror mount. They are easily reached from above without having your hand block the beam. The mirror can be adjusted in two axes of tilt. The micrometers facilitate extremely precise adjustment. Anti-backlash springs maintain the mirror in position and provide for repeatable settings.

The TopMike™ is normally supplied with a base which sets the mirror normal to the optical path. However, two other mounting options are available. A 45 degree mount enables the mount to be set at 45 degrees to the incident path. Alternatively, a small base with mounting holes to the rear enables clear and unimpeded access to the mirror surface and also has an M6 thread for post mounting.

If it is more convenient to have the micrometers protruding from either the right or left hand sides of the mount it is a simple matter to unscrew the base plate and reassemble it on its side. Threaded mounting holes are provided on all three edges of the mount for this purpose. Regardless of which base is used and whether the micrometers are to the top, or either side, the center height is always at a fixed height above the base.

The TopMike™ Mirror Mount is offered in three sizes to suit the most popular mirrors: 1 inch, 30mm and 2 inches. Note that the 1 inch and 2 inch mounts will also accept 25 and 50mm mirrors.

See the baseplate drawings for detailed hole patterns.

Specifications & Tolerances

Dimensions: ±0.2mm
 Material: Aluminum
 Finish: Black anodized

Angular adjustment:	Mirror diameter	1inch	30mm	2inch
Range		±2.8°	±2.8°	±1.8°
Angle per rotation		17arcmin	17arcmin	11arcmin
Sensitivity		20arcsec	20arcsec	13arcsec

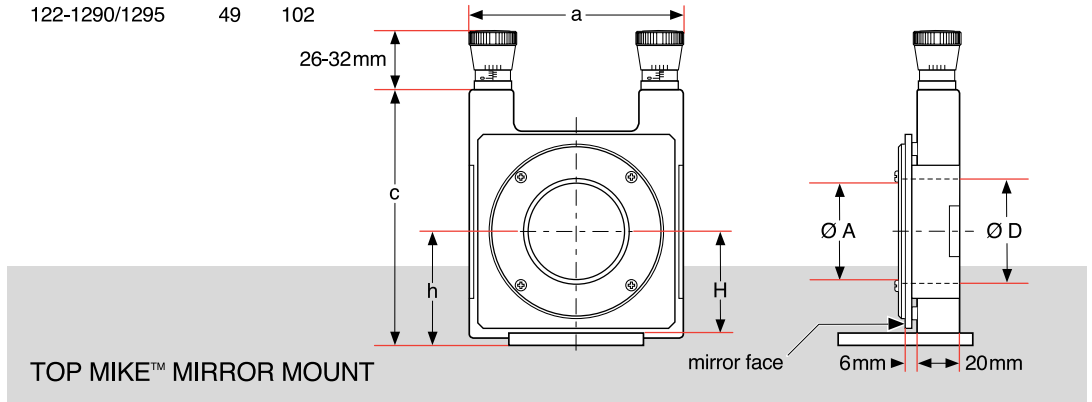
ORDERING
&
TECHNICAL SUPPORT
(949) 851-5881
FAX (949) 851-5058
E-MAIL
sales@optosigma.com
WEB
www.optosigma.com



Mirror Mounts

- Optic Holders
- Optical Baseplates
- Optical Rails and Carriers
- Bases
- Rod Mounting Systems
- Post, Post Holders, Clamps

Part No.	Dimensions (mm)	
	H	a
112-1222/1227	34	72
112-1224/1229	34	72
112-1230/1235	34	72
112-1260/1265	34	72
122-1290/1295	49	102



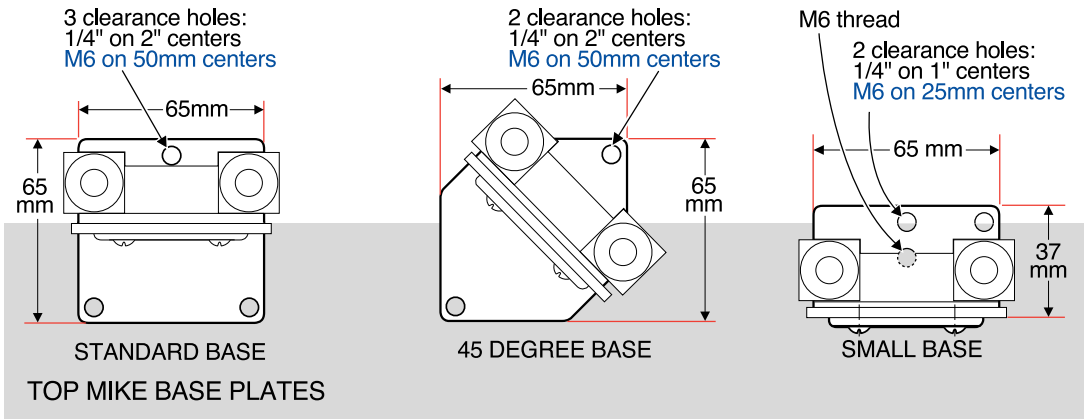
TopMike™ Mirror Mounts

To Hold Diameter, D (inches)	To Hold Diameter, D (mm)	Clear Aperture, A (mm)	Maximum Thickness (mm)	Center Height, h (mm)	Height, c (mm)	Price	INCH	METRIC
							PART NUMBER	PART NUMBER

0.50	12.7	10	8	40	95		112-1222	112-1227
0.75	19.05	16	8	40	95		112-1224	112-1229
1.00	25.0 or 25.4	22	8	40	95		112-1230	112-1235
1.18	30.0	27	8	40	95		112-1260	112-1265
2.00	50.0 or 50.8	47	15	55	124		112-1290	112-1295

For **45 degree base** append **-45** to part number.
 For **small base with unrestricted access** to mirror append **-SB** to part number.

These new mounts are truly a pleasure to use. We list mounts with micrometer drives as standard, but we have a wide range of other drives (both more and less) precise - as well as other sizes.



TopMike™ Mirror Adapters

To Hold Mirror Diameter, d (inches)	To Hold Mirror Diameter, d (mm)	To Fit Mount Diameter, D (inches)	To Fit Mount Diameter, D (mm)	Price	PART NUMBER
0.50	12.7	1.00	25.4		112-0440
0.75	19.1	1.00	25.4		112-0450
0.39	10.0	1.18	30.0		112-0460
1.50	38.1	2.00	50.8		112-0480

ORDERING & TECHNICAL SUPPORT
 (949) 851-5881
 FAX (949) 851-5058
 E-MAIL sales@optosigma.com
 WEB www.optosigma.com

