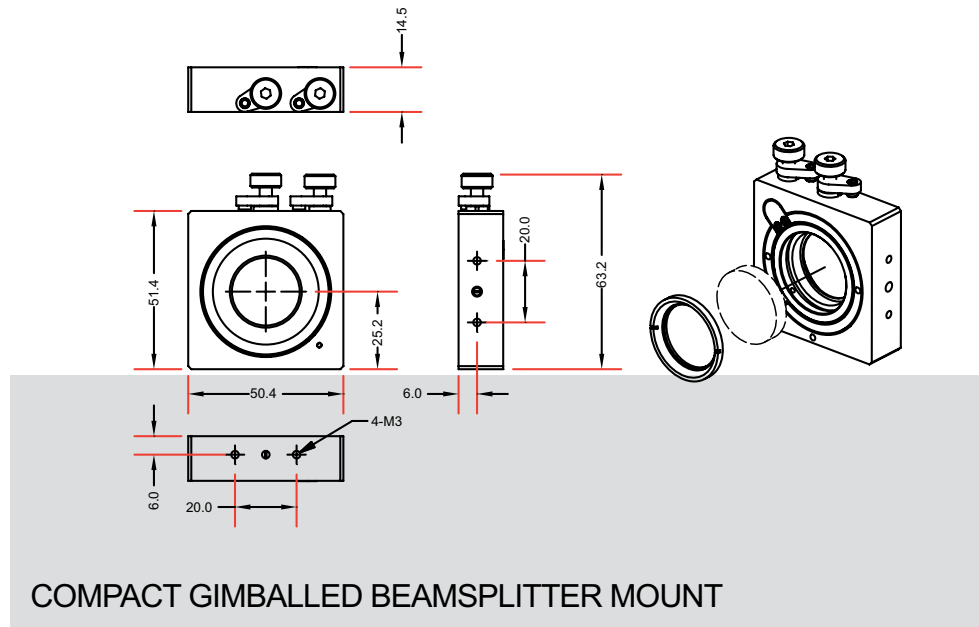


- Optic Holders
- Optical Baseplates
- Optical Rails and Carriers
- Bases
- Rod Mounting Systems
- Post, Post Holders, Clamps

Part No. 112-8020



Compact Gimballed Beamsplitter Mounts

Optics Size		Travel		Resolution		Price	PART NUMBER
Diameter (mm)	Thickness (mm)	Elevation (°)	Azimuth (°)	Elevation (°)	Azimuth (°)		
12.7	1 - 3	±1.5	±1.2	0.27	0.27		112-8010
15.0	1 - 3	±1.5	±1.2	0.27	0.27		112-8015
25, 25.4	3 - 5	±1.2	±1.1	0.20	0.22		112-8020
50.0	5 - 8	±1.4	±1.5	0.16	0.20		112-8030
50.8	5 - 8	±1.4	±1.5	0.16	0.20		112-8040

Compact Gimballed Beamsplitter Bases

Base Type	Used with Mount Part Number	Price	PART NUMBER
0° incident angle	112-8020		147-0450
45° incident angle	112-8020		147-0451
0° incident angle	112-8040		147-0452
45° incident angle	112-8040		147-0453
45° holder incline	112-8010		147-0454
45° holder incline	112-8020		147-0455
45° holder incline	112-8040		147-0456

ORDERING
&
TECHNICAL SUPPORT
(949) 851-5881
FAX (949) 851-5058
E-MAIL
sales@optosigma.com
WEB
www.optosigma.com

