

Mini-Beamsplitter Mounts

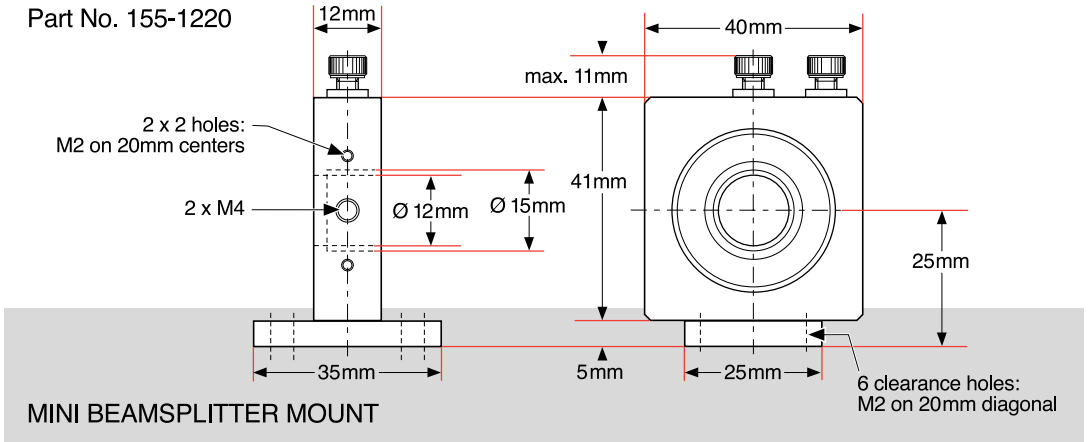
- True gimbal adjustment
- To hold 15mm beamsplitters



Mini-beamsplitter mounts are cut away from the component more than mirror mounts. They permit a 45 degree incident beam to pass unimpeded through the mount. For this reason they are slightly larger than the mini-mirror mounts. These mounts accommodate only 15mm diameter beamsplitters of thickness up to 2mm. This provides a 6mm diameter clear aperture at 45 degrees. They have two top-projecting screws to provide $\pm 2^\circ$ over two axes.

Specifications & Tolerances

Dimensions: $\pm 0.2\text{mm}$ Rod length: 20mm
 Sensitivity: $0.3^\circ/\text{turn}$ Finish: Black anodized
 Optical centerline: 25mm Range: $\pm 2^\circ$
 Material: Aluminum



ORDERING
 &
 TECHNICAL SUPPORT
 (949) 851-5881
 FAX (949) 851-5058
 E-MAIL
 sales@optosigma.com
 WEB
 www.optosigma.com

Mini-Beamsplitter Mounts

To Hold Beamsplitter Diameter, D (inches) (mm)	Clear Aperture, A (mm)	Mounting	Price	PART NUMBER
0.59 15.0	6.0	Base		155-1220
0.59 15.0	6.0	Post		155-1222

